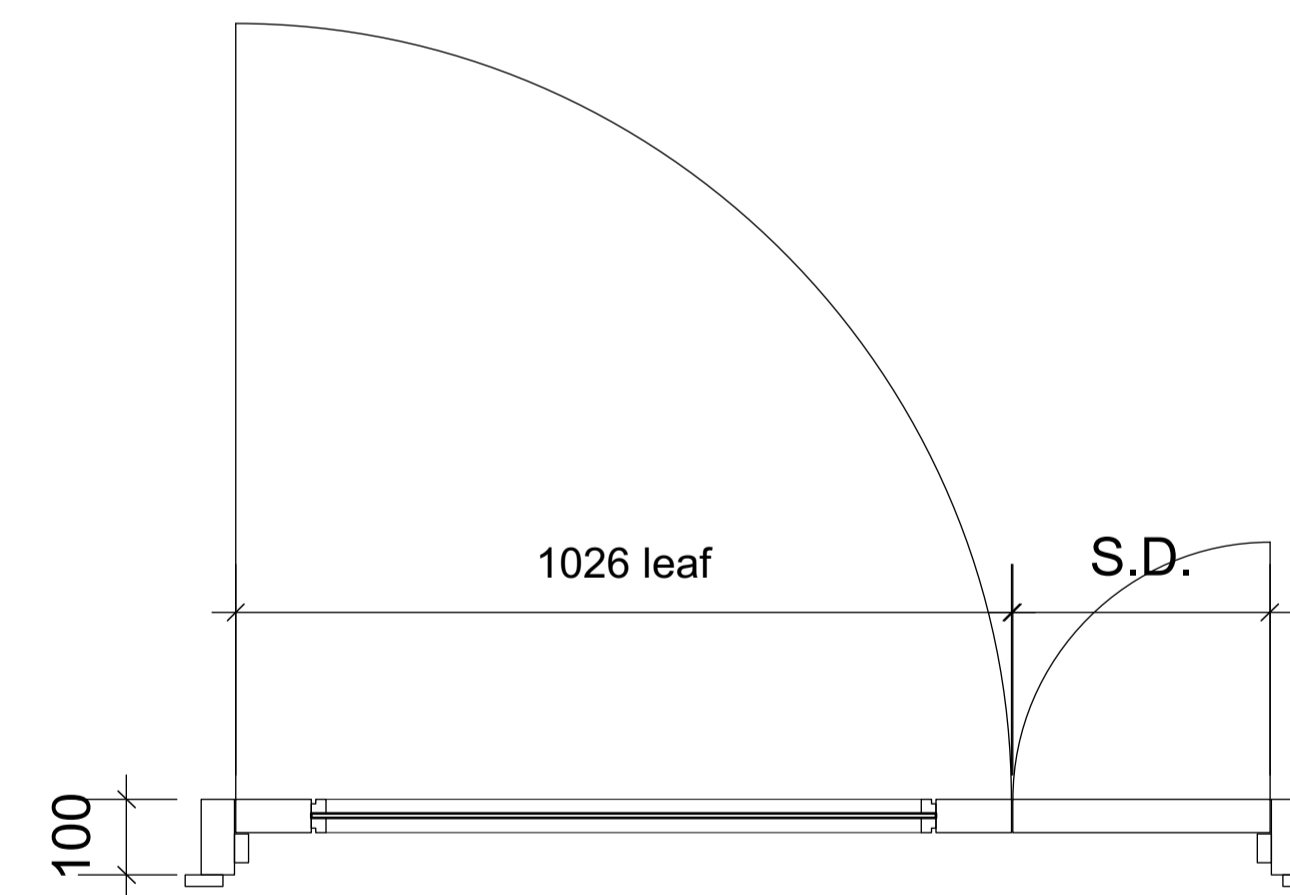
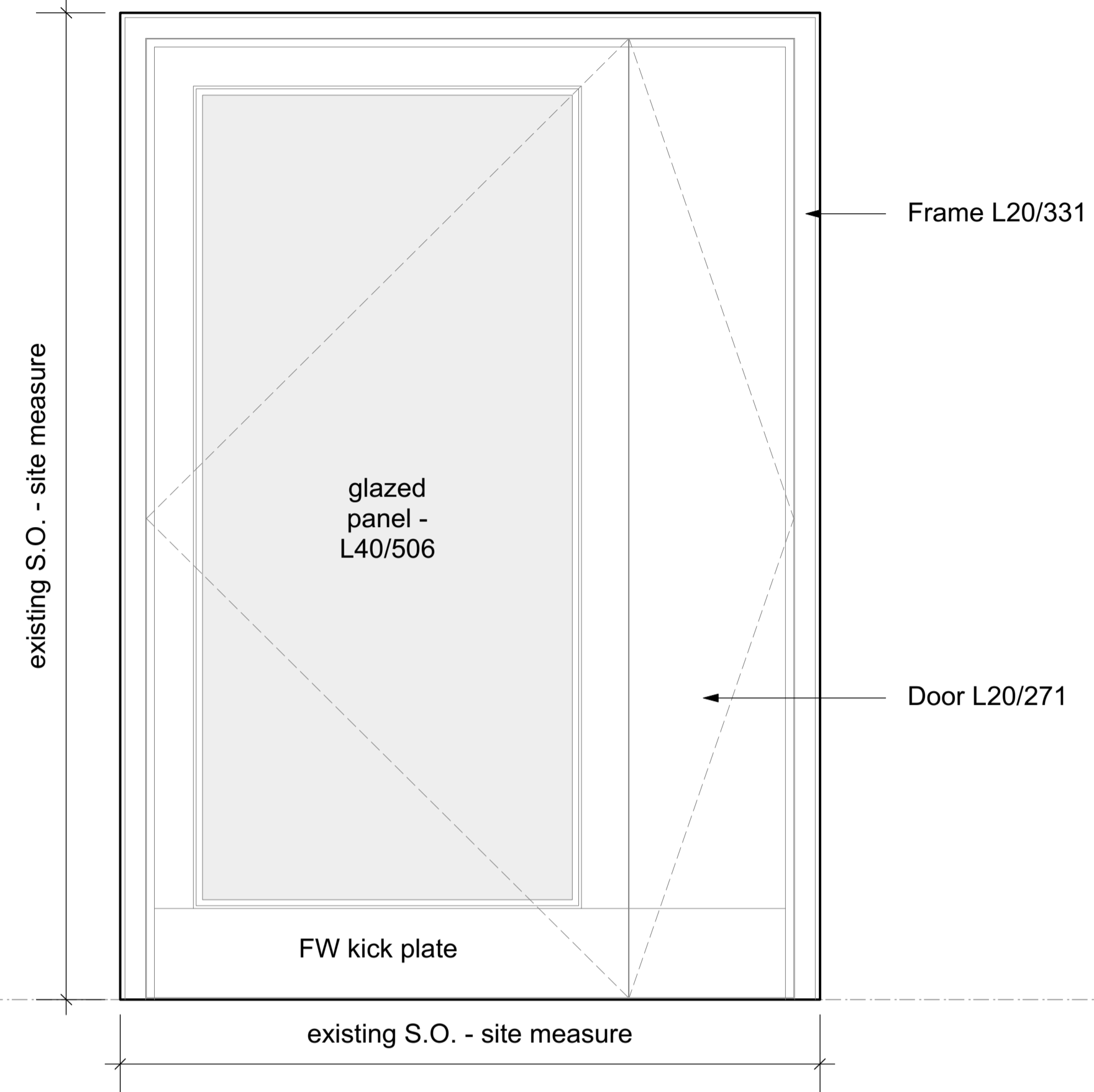


**Door Type C7**

Doors: DF.12

NOTE: DF.12 has architraves to one side only.

leaf size: 1026 x height to suit opening



**Door Type C8f (FD 30 S)**

Doors: DF.15; DF.18

NOTE: DF.18 has architraves to one side only.

leaf size: 1026 x height to suit opening

GENERAL NOTES

1. This drawing is the copyright of Haines Phillips Architects.
2. Do not scale from this drawing. Use figured dimensions only.
3. This drawing must not be used for land transfer purposes, or for construction purposes unless accompanied by an Architect's Instruction.

FILE REFERENCE  
Details/Door Elevations



DRAWING ISSUE STATUS

ISSUE	STATUS	COMMENT
SK	SKETCH	
P	PRELIMINARY	For comment and review
PL	PLANNING	Planning/Listed Building Application
T	TENDER	For pricing purposes only
C	CONSTRUCTION	For procurement & construction
AB	AS-BUILT	Record drawings on completion
L	LEGAL	Conveyancing or other legal purposes

REVISIONS

REV	DATE	NOTES
1	10/2014	Preliminary Issue.
2	27/1/15	Notes and details added.

**HAINES PHILLIPS**  
ARCHITECTS

Tankerton Works  
12 Argyle Walk  
London WC1H 8HA  
T 020 7833 9324  
F 020 7837 2864  
E office@hainesphillips.co.uk

JOB TITLE  
**LAUDERDALE HOUSE**  
Highgate N6 5HG

DRAWING TITLE  
**DOOR ELEVATIONS**  
DOOR TYPES C7, C8, C11

DRAWN DATE  
ED 10/2014  
SCALE  
1:10 @ A1  
JOB NR DRAWING NR ISSUE REV  
**3712 DA 409 P 2**