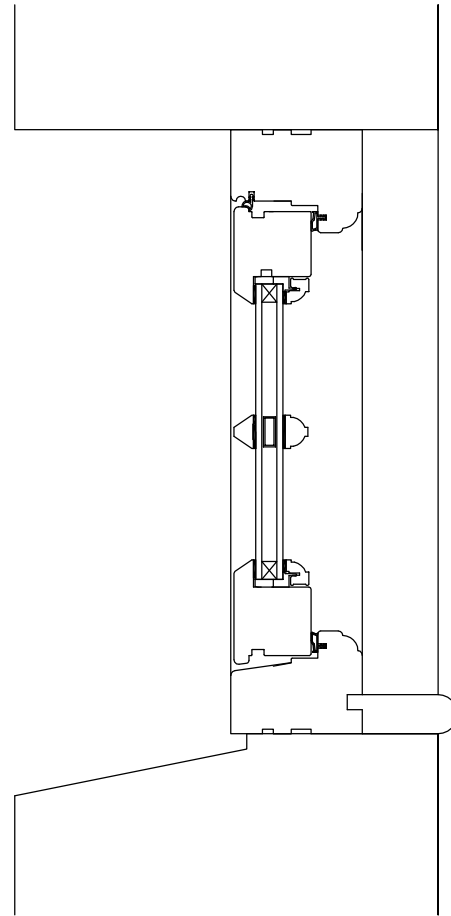
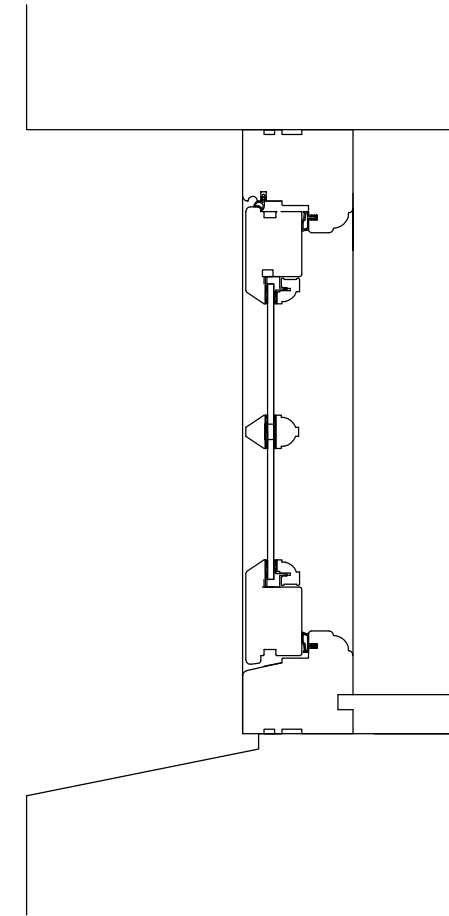


DO NOT SCALE FROM DRAWING.
ALL DIMENSIONS TO BE CHECKED ON
SITE.
ANY ALTERATIONS TO BE CONFIRMED BY
ARCHITECT.



PROPOSED TYPICAL SECTION SHOWING
EXTRA DEPTH OF DOUBLE GLAZED UNIT
TO BE TAKEN INTERNALLY AS TO NOT
ALTER THE EXTERNAL VIEW



EXISTING TYPICAL SECTION

TYPICAL WINDOW SECTIONS

nurturedesignltd

THE WHITE STUDIO
325 MANHATTAN / BOW QUARTER
LONDON
E3 2 UG
TEL 0208 123 6928 / 07734 069 407
info@nurturedesign.com

CLIENT:
TIM & ALICE
5 CHESTERFIELD HOUSE
LONDON
NW3 3AJ

JOB:
**PROPOSED WINDOW
REPLACEMENT**

DATE: 29.01.2015
SCALE: 1:5@A3

DRAWING TITLE:
WINDOW SECTION

DRAWING NUMBER:
5CH/W02

REVISION: