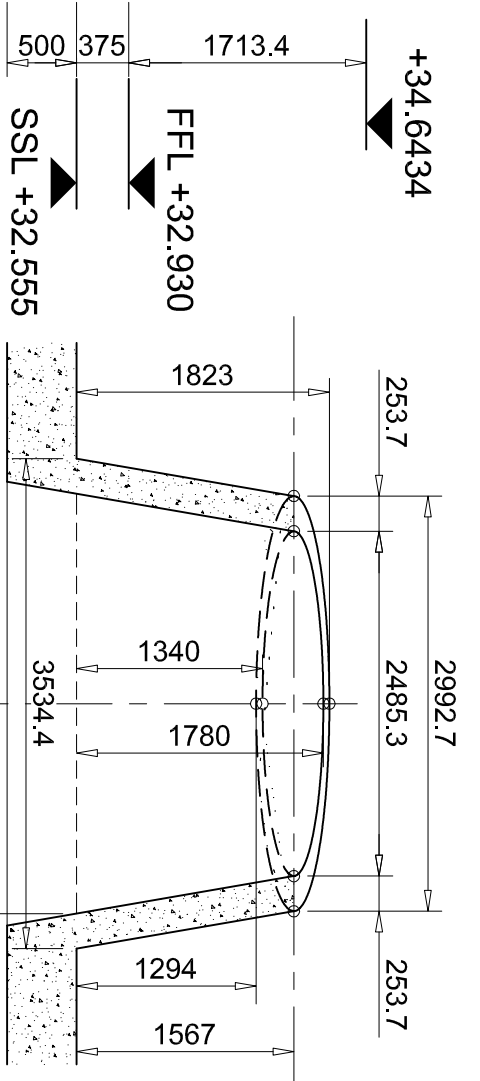
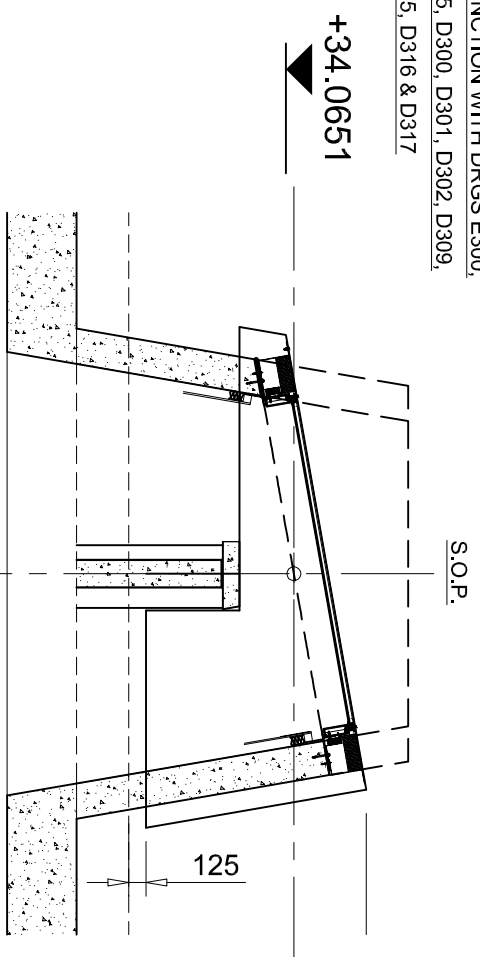
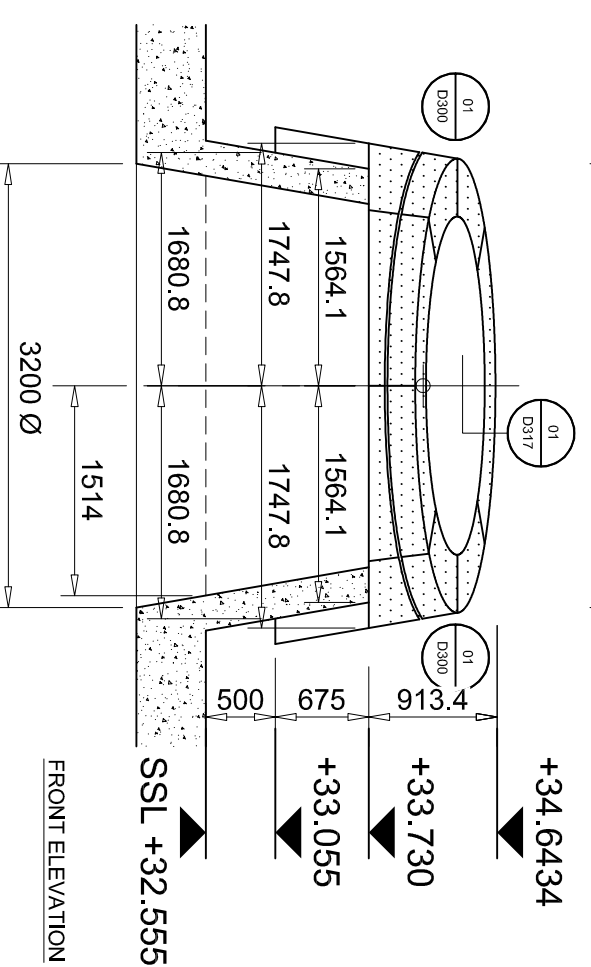
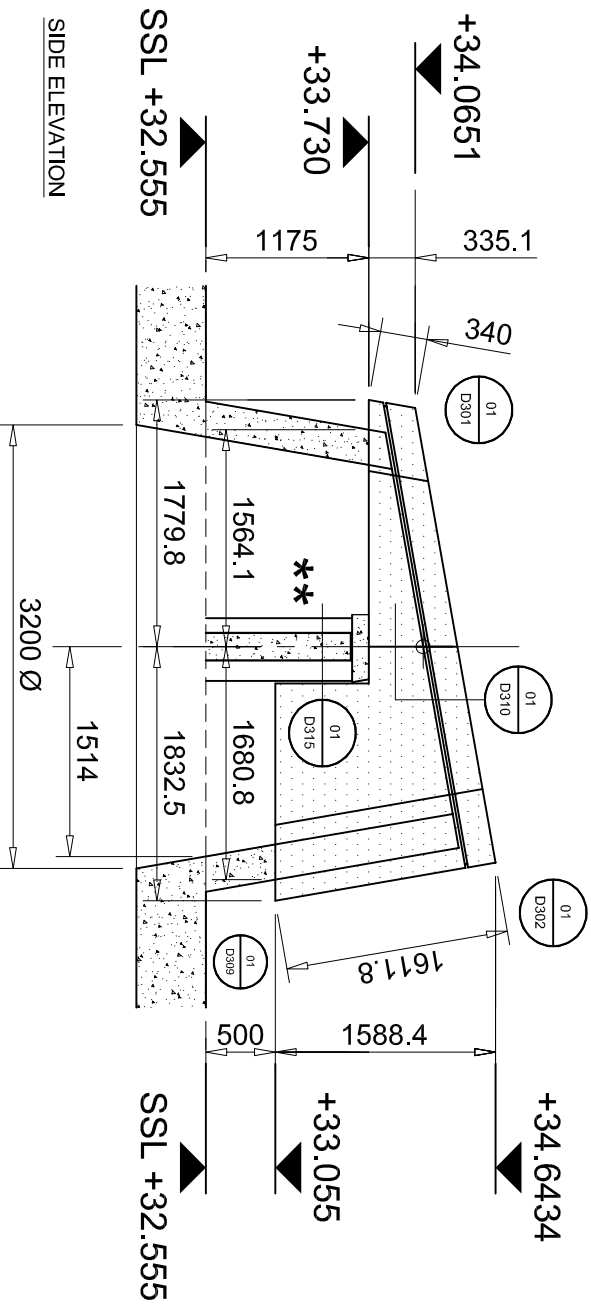


READ IN CONJUNCTION WITH DRGS E300,
E301, E303, E305, D300, D301, D302, D309,
D310, D314, D315, D316 & D317



ROOFLIGHT SETTING OUT

STRUCTURE SETTING OUT



SIDE ELEVATION

FRONT ELEVATION

VIEW ON ARROW A

VIEW ON ARROW B

** PANELS CUT TO SUIT
CURVED UPSTAND ON
SITE AT THIS LOCATION

PANELS CUT TO SUIT
CURVED UPSTAND ON
SITE AT THIS LOCATION

PANELS CUT TO SUIT
CURVED UPSTAND ON
SITE AT THIS LOCATION

ONE NO. ROOFLIGHT THUS

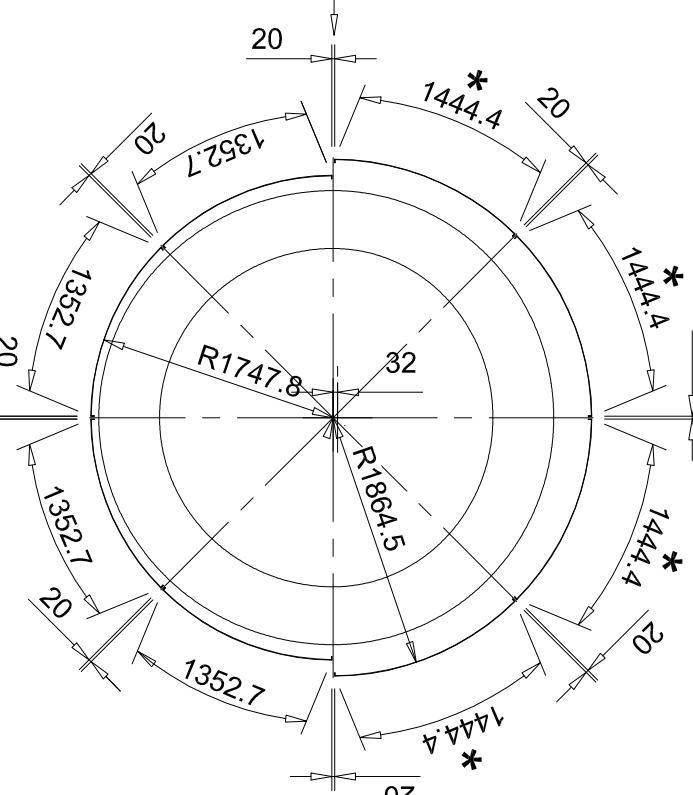
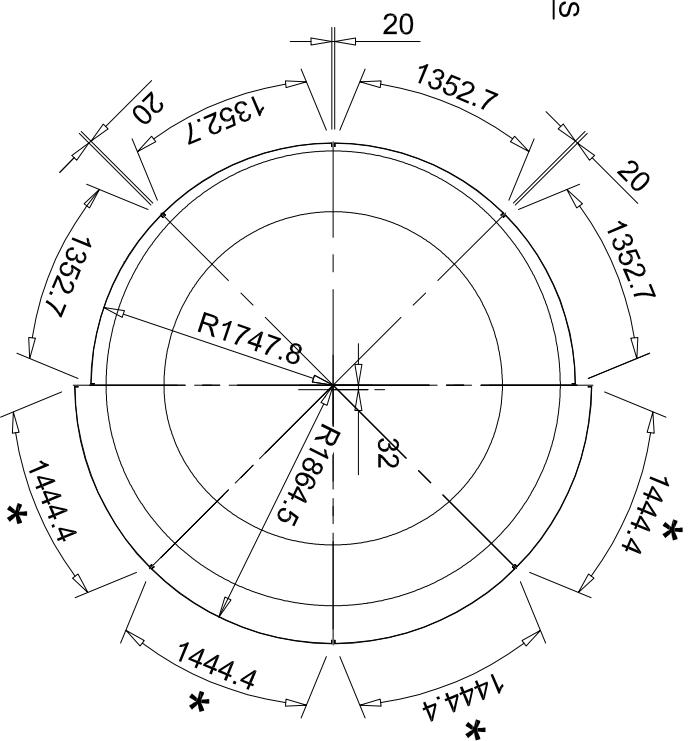
LEVEL 2 COURTYARD

SPECIFICATION

MATERIAL:
3mm ALUMINIUM SHEET

FINISH:
RAL 7008 MATT KHAKI GREY
(60 MICRONS)

* PANELS EXTEND TO +33.055



LOWER PANEL SET OUT AT BASE (+33.730/+33.055) *

A

B

DO NOT SCALE

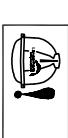
NOTES

1. ANY DISIMILAR MATERIALS TO BE ISOLATED WITH BARRIER TAPE
2. ANY DOUBT OF THE CONTENTS OF THIS DRAWING PLEASE CONTACT THE DESIGN OFFICE
3. THIS DRAWING TO BE READ IN CONJUNCTION WITH ALL OTHER CONTRACT DRAWINGS
4. ENSURE THAT ALL STEELWORK AND ANY TIMBERWORK IS CHECKED PRIOR TO THE COMMENCEMENT OF OUR WORKS
5. UNLESS OTHERWISE STATED, ALL FIXINGS TO BE AT 450mm CENTRES

KEY TO DETAIL LABEL

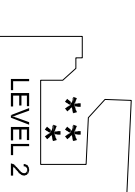
FIXERS NOTE

○ - DETAIL REF. No.
○ - DRAWING No.



DRAWING REFERENCES

Architect	
Steelwork	
Sub-Contractor	



OR	NW	FOR STATUS ASSIGNMENT	JAN '15
REV	BY	DESCRIPTION	DATE

FOR STATUS ASSIGNMENT

DRAWING STATUS



THE RING TOWER CENTRE, MOORSIDE ROAD
WINNALL, WINCHESTER, HAMPSHIRE.
SO23 7RZ
TEL: 01962 826500
FAX: 01962 841903
E-MAIL: enquiries@lakesmere.com
WEB: www.lakesmere.com



CLIENT
Carillion

PROJECT
Kings Cross P1

DRAWING TITLE
Second Floor Circular Roof Lights
Rainscreen Cladding To Upstand
Sheet 2 of 2

DATE	Jan '15	SCALE	1:25 @ A3
DRAWN	MW	CHECKED	

CONTRACT	AREA CODE	DRAWING No.	REVISION
4041	SE	E306	OR