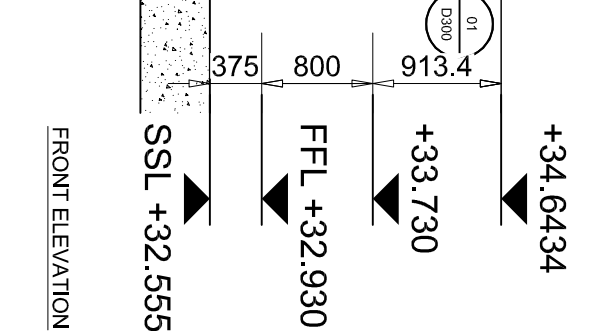
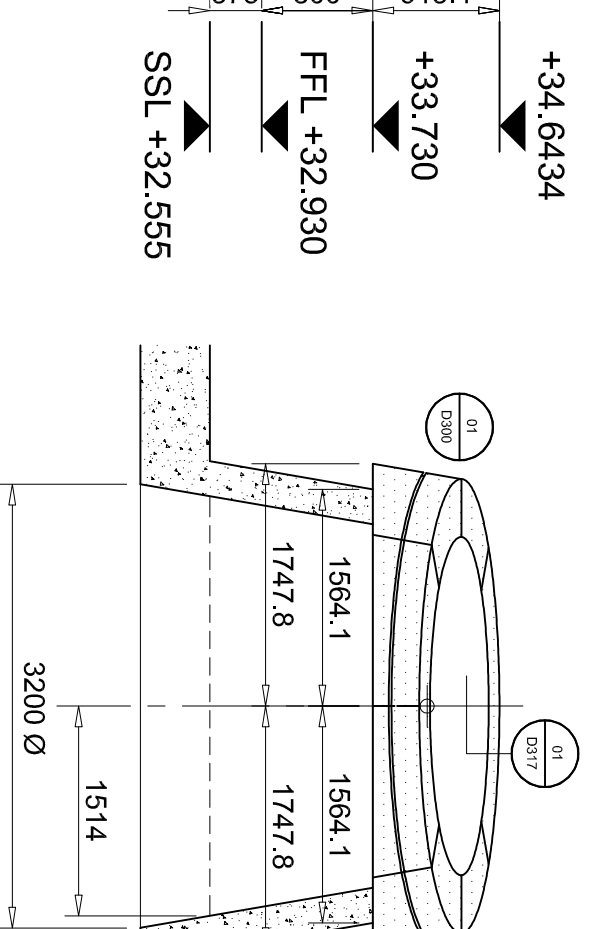
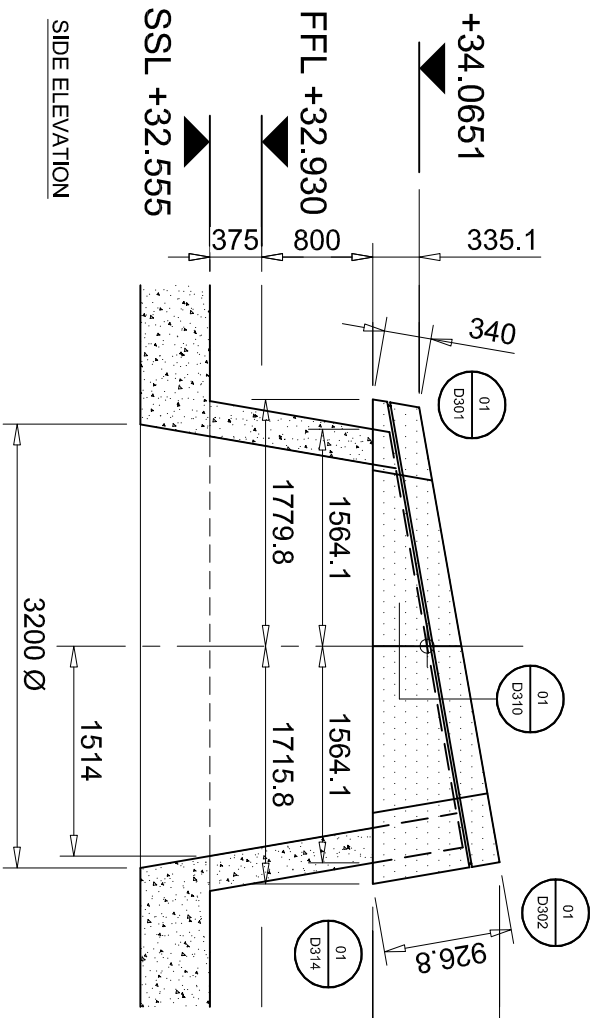
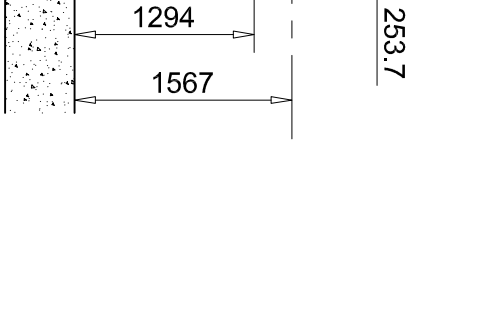
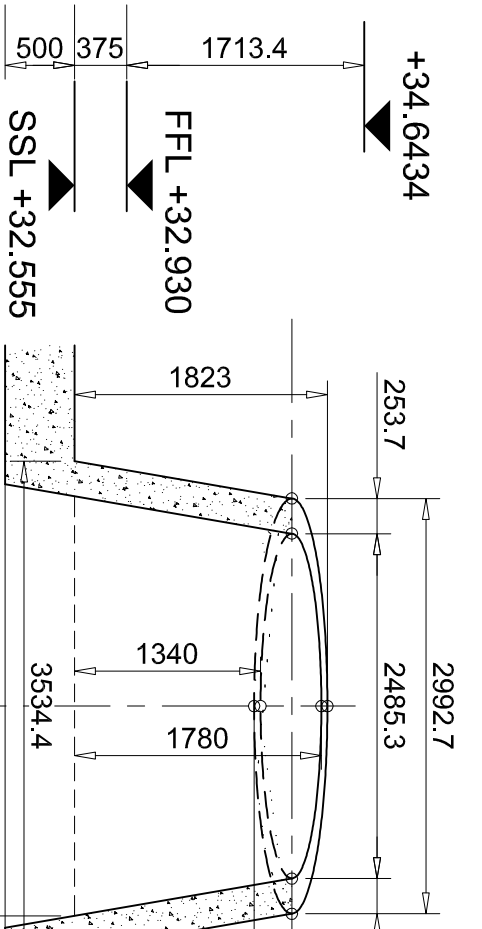
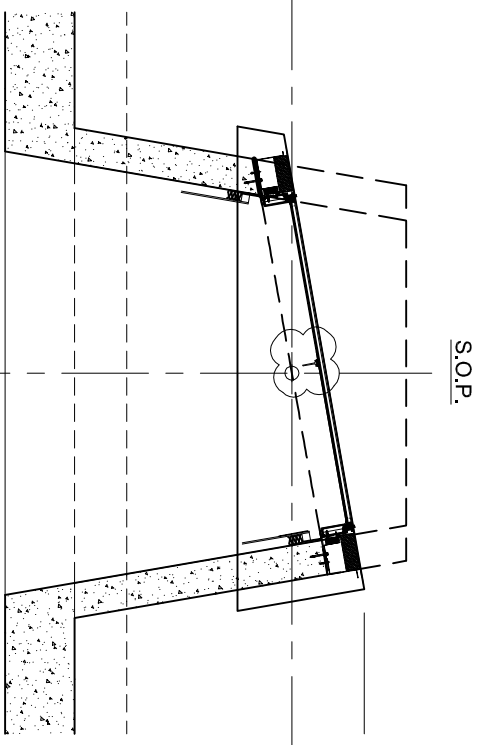


READ IN CONJUNCTION WITH DRGS E300,  
E301, E305, E306, D300, D301, D302, D309,  
D310, D314, D315, D316 & D317

CENTRAL STRUCTURALLY BONDED  
TEE BAR : 101,6x40x6,3mm GALV'D  
STRUCTURAL TEE WITH END PLATES  
WHITE FINISH S.P. M4A0395 WITH  
20mm WIDE NORTON TAPE & 2 No.  
10mm BITE STRUCTURAL SILICONE  
JOINTS-BLACK



VIEW ON ARROW A

VIEW ON ARROW B

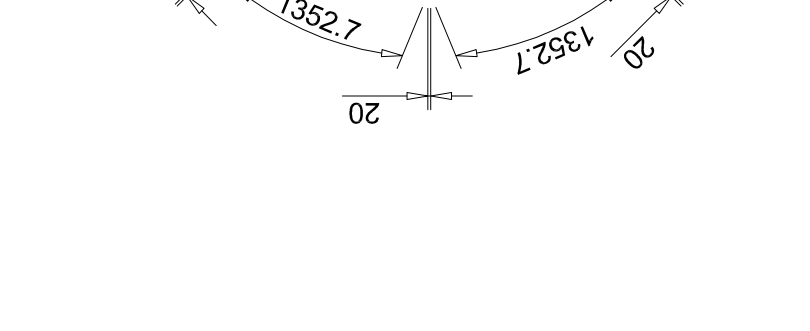
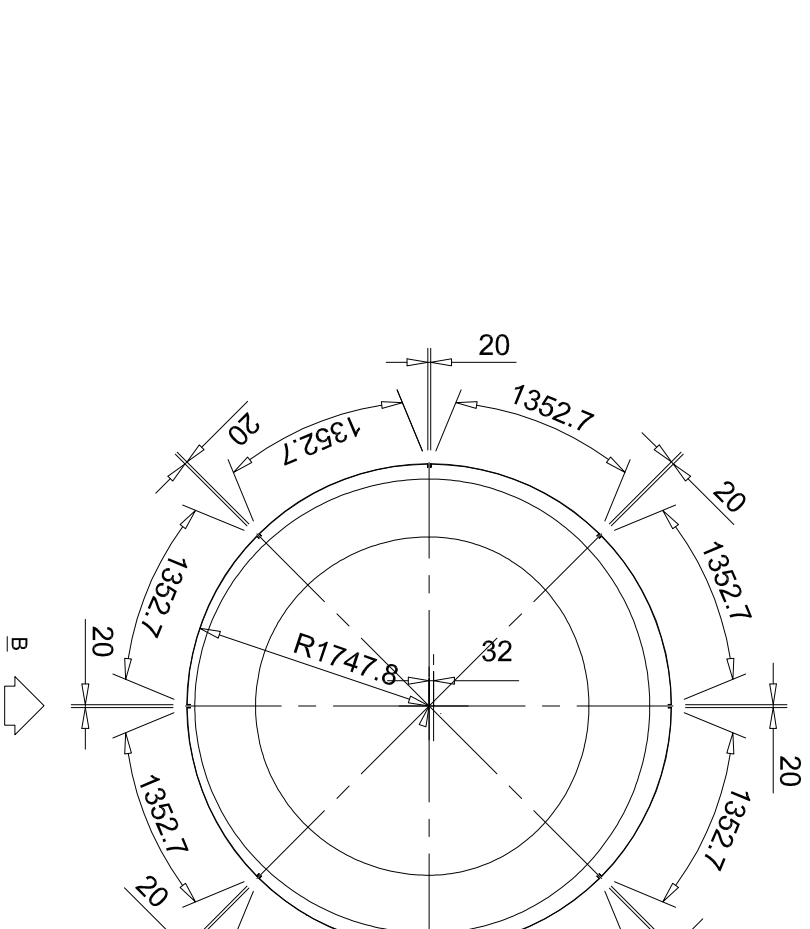
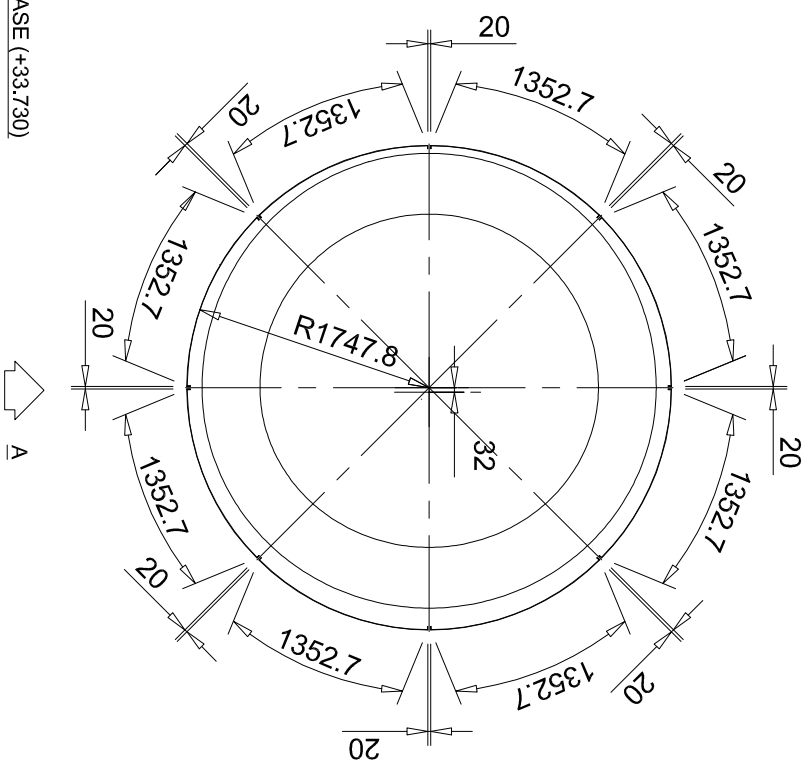
2 No. ROOFLIGHTS THUS  
LEVEL 2 COURTYARD

SPECIFICATION

MATERIAL:  
3mm ALUMINIUM SHEET

FINISH:  
RAL 7008 MATT KHAKI GREY  
(60 MICRONS)

LOWER PANEL SET OUT AT BASE (+33.730)



**DO NOT SCALE**

- NOTES
1. ANY DISIMILAR MATERIALS TO BE ISOLATED WITH BARRIER TAPE
  2. ANY DOUBT OF THE CONTENTS OF THIS DRAWING PLEASE CONTACT THE DESIGN OFFICE
  3. THIS DRAWING TO BE READ IN CONJUNCTION WITH ALL OTHER CONTRACT DRAWINGS
  4. ENSURE THAT ALL STEELWORK AND ANY TIMBERWORK IS CHECKED PRIOR TO THE COMMENCEMENT OF OUR WORKS
  5. UNLESS OTHERWISE STATED, ALL FIXINGS TO BE AT 450mm CENTRES
- KEY TO DETAIL LABEL
- DETAIL REF. NO. DRAWING NO.
- EKERS NOTE

DRAWING REFERENCES

Architect	
Steelwork	
Sub-Contractor	

OR	NW	FOR STATUS ASSIGNMENT	NOV '14	
REV	BY	DESCRIPTION	DATE	CHKD

**FOR CONSTRUCTION**

DRAWING STATUS

**Lakesmere**  
Building Envelope Specialists

THE RING TOWER CENTRE, MOORSIDE ROAD  
WINNALL, WINCHESTER, HAMPSHIRE.

SO23 7RZ  
TEL: 01962 826500  
FAX: 01962 841903  
E-MAIL: enquiries@lakesmere.com  
WEB: www.lakesmere.com

CLIENT  
**Carillion**

PROJECT  
**Kings Cross P1**

DRAWING TITLE  
**Second Floor Circular Roof Lights  
Rainscreen Cladding To Upstand**

Sheet 1 of 2

DATE	Oct '14	SCALE	1:25 @ A3
DRAWN	MW	CHECKED	
CONTRACT	AREA CODE	DRAWING No.	REVISION
4041	SE	E303	B