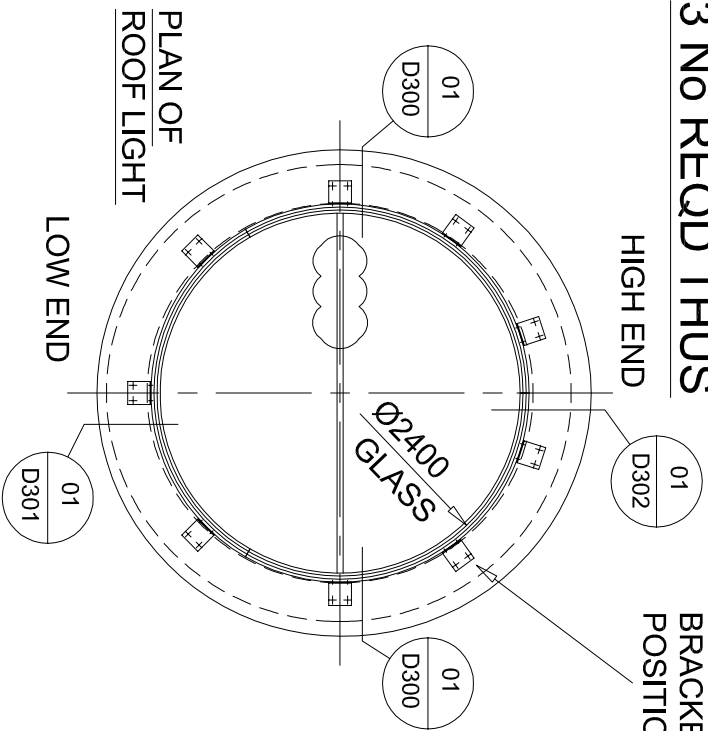


# 3 NO READ THUS

BRACKET POSITIONS



SCHUCO FW60+ SG STRUCTURALLY GLAZED CURTAIN WALL SYSTEM

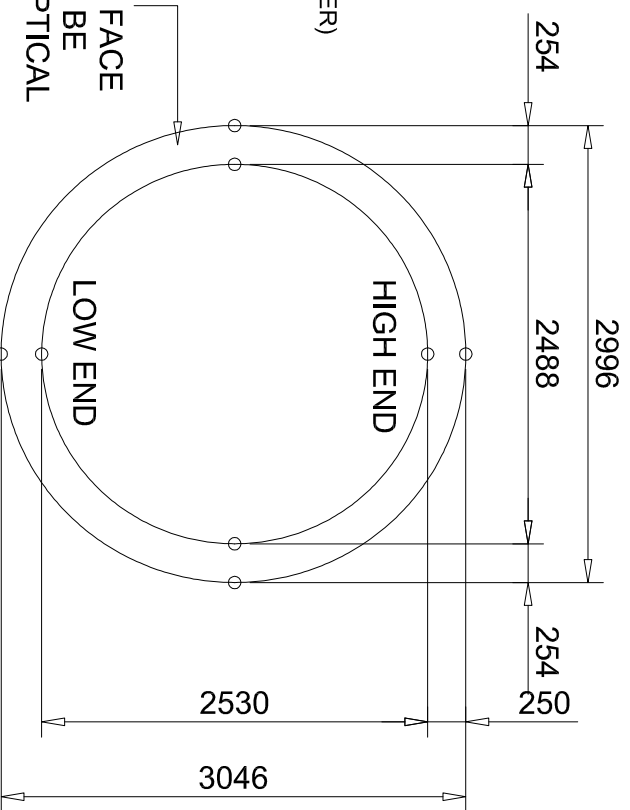
FINISH: SYNTHA PULVIN M4L0004 (RAL 7021 MATT BLACK / GREY) 60 MICRONS

ROOF LIGHT TO COMPLY WITH CWCT CLASS 2 NON FRAGILE ROOF GLAZING

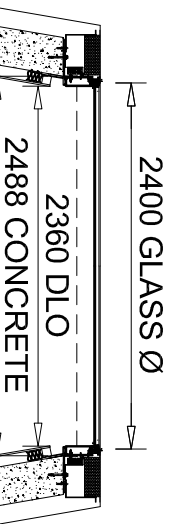
GLAZING

43.5MM DGU COMPRISING 10MM SUNGUARD HIGH SELECTIVE SNX 60/28 TOUGHENED AND HEAT SOAK TESTED TO BS EN14179 (OUTER) EDGES SUITABLE FOR GLASS TO GLASS SEALING 20MM 90% ARGON FILLED CAVITY WITH BLACK SPACER 13.5MM CLEAR HEAT STRENGTHENED LAMINATED GLASS (INNER) WITH 1.5MM PVB INTERLAYER  
MAX SUMMER TEMPERATURE UNDER ROOF LIGHT 29°C

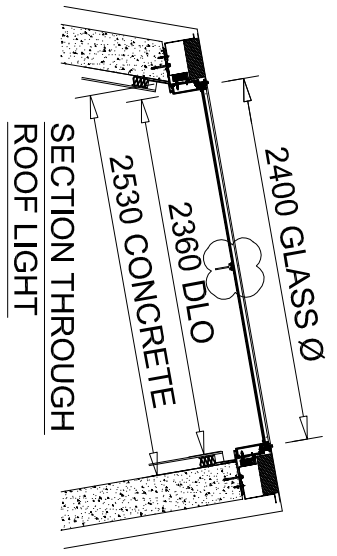
THIS FACE WILL BE ELLIPTICAL



PLAN OF CONCRETE ON GLAZING PLANE

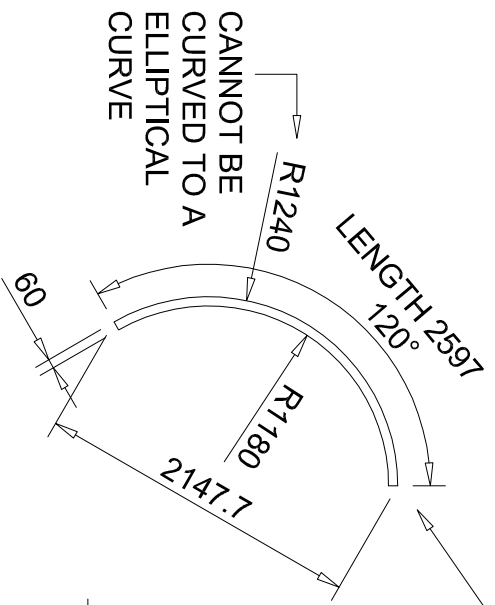


SECTION THROUGH ROOF LIGHT



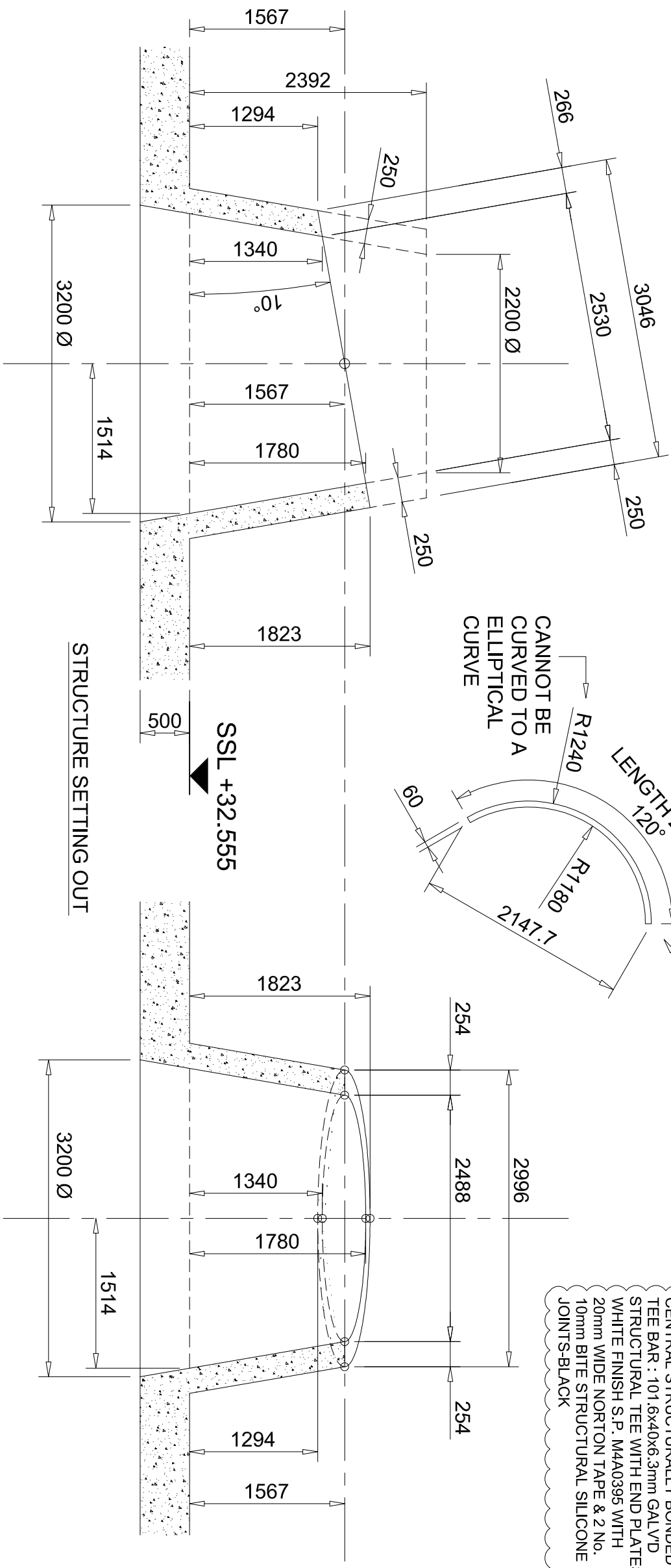
SECTION THROUGH ROOF LIGHT

PERIMETER SCHUCO FW60+ MULLION CURVED IN THREE LENGTHS AND THEN SLEEVED TO FORM CIRCLE FRAME



CANNOT BE CURVED TO A ELLIPTICAL CURVE

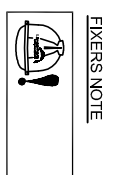
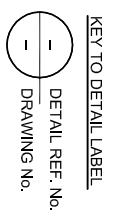
CENTRAL STRUCTURALLY BONDED TEE BAR : 101.6x40x6.3mm GALV/D STRUCTURAL TEE WITH END PLATES WHITE FINISH S.P. M4A0395 WITH 20mm WIDE NORTON TAPE & 2 No. 10mm BITE STRUCTURAL SILICONE JOINTS-BLACK



STRUCTURE SETTING OUT

## DO NOT SCALE

- NOTES
1. ANY DISIMILAR MATERIALS TO BE ISOLATED WITH BARRIER TAPE
  2. ANY DOUBT OF THE CONTENTS OF THIS DRAWING PLEASE CONTACT THE DESIGN OFFICE
  3. THIS DRAWING TO BE READ IN CONJUNCTION WITH ALL OTHER CONTRACT DRAWINGS
  4. ENSURE THAT ALL STEELWORK AND ANY TIMBERWORK IS CHECKED PRIOR TO THE COMMENCEMENT OF OUR WORKS
  5. UNLESS OTHERWISE STATED, ALL FIXINGS TO BE AT 450mm CENTRES



### DRAWING REFERENCES

Architect	
Steelwork	
Sub-Contractor	

REV	BY	DESCRIPTION	DATE	CHKD
D	MW	STRUCTURALLY BONDED TEE BAR STIFFENER ADDED	FEB '15	.
C	NW	CONSTRUCTION ISSUE STATUS	26/14	.
B	NW	BRACKET AND PERIMETER PRESSINGS	28/4/14	.
A	NW	REVISED AS COMMENTS OVER MARKED ON DRAWINGS	14/14	.
OR	NW	FOR STATUS ASSIGNMENT	FEB 2014	.

### CONSTRUCTION

DRAWING STATUS



THE RING TOWER CENTRE, MOORSIDE ROAD WINNALL, WINCHESTER, HAMPSHIRE.

SO23 /RZ  
TEL: 01962 826500  
FAX: 01962 841903  
E-MAIL: enquiries@lakesmere.com  
WEB: www.lakesmere.com



CLIENT  
Carillion

PROJECT  
Kings Cross P1

DRAWING TITLE  
Second Floor Circular Roof Lights  
Elevation / Section / Plan / Specification

DATE	February '14	SCALE	1:25 @ A3
DRAWN	Nick Worwood	CHECKED	
CONTRACT	AREA CODE	DRAWING No.	REVISION
4041 / SE	/ E300 /	D	