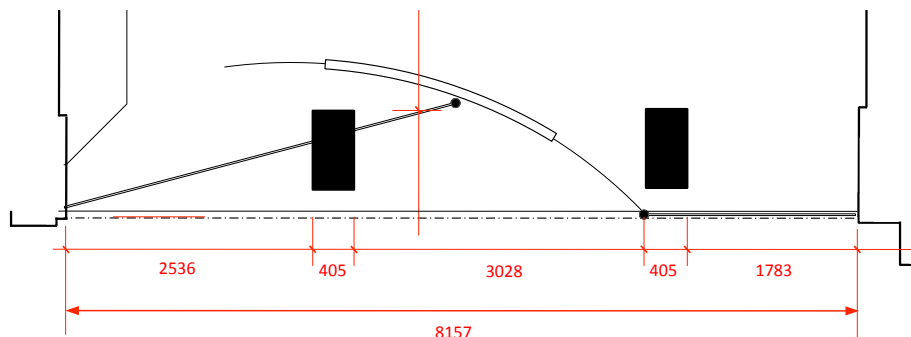
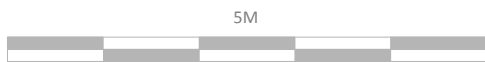


SECTION

ELEVATION



PLAN



NOTES

1. Fascia Sign – existing metal sign
2. Projecting Sign – existing sign fixed to concrete lintel
3. Fascia – existing metal bulkhead with rusty finish.
4. Glazing – frameless laminated glass
5. Entrance – existing curved, sliding, wooden door

Client
Project
Job No.
Drawing
Date
Scale
Drawing No.
Status

Boot Tree Ltd
Natural Shoe Store, 70 Neal St
DB1046
Shopfront Elevation – Existing
29.01.15
Not to scale
1046-100-02
Planning

DREAMBOX

Dreambox Studio Ltd
29 Worple Street
London, SW14 8HE
T – 020 8878 5166
info@dreamboxstudio.co.uk