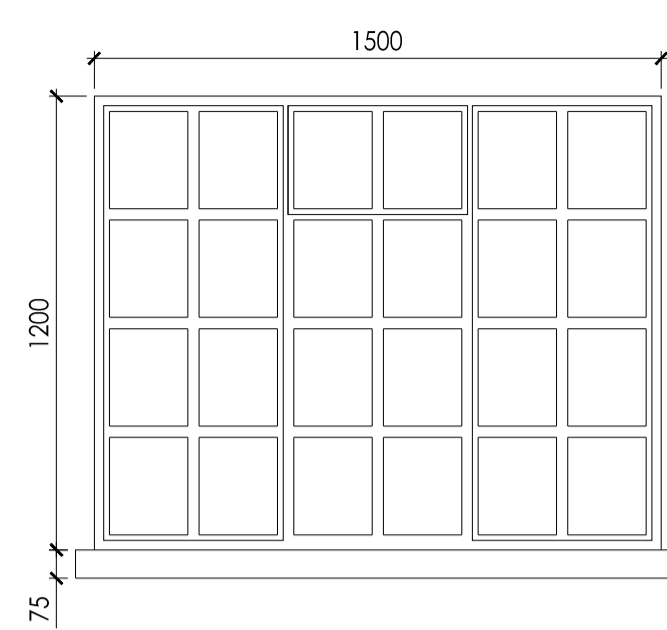
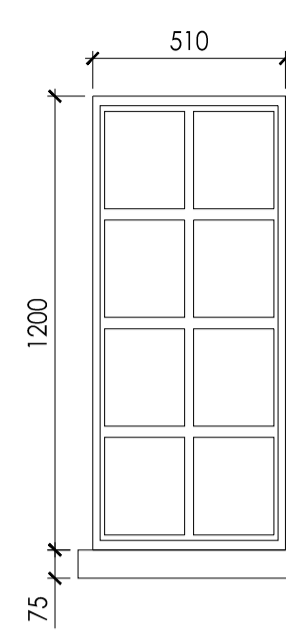


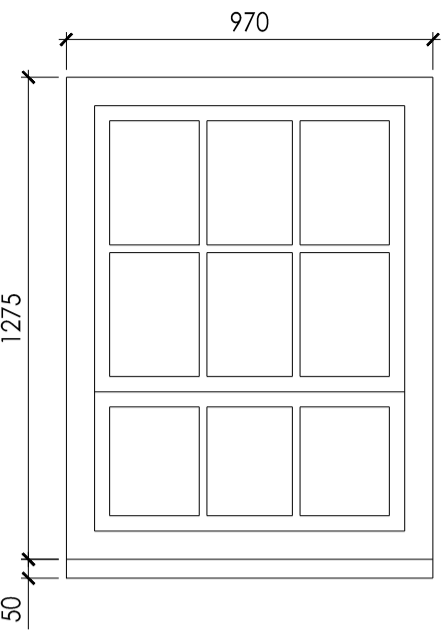
**TYPE 1**  
GROUND FLOOR  
WG.02 WG.23 WG.24 WG.25  
WG.34 WG.35 WG.36 WG.58  
WG.60 WG.65 WG.66 WG.67  
WG.69 WG.73 WG.74 WG.76  
WG.78 WG.80 WG.81 WG.83  
WG.84 WG.85 WG.88 WG.89  
WG.90 WG.92 WG.93 WG.94  
WG.95 WG.96 WG.97 WG.99  
WG.100 WG.103 WG.104 WG.106  
WG.107 WG.108 WG.116  
FIRST FLOOR  
W1.01 W1.03 W1.22 W1.23 W1.24  
W1.33 W1.34 W1.35 W1.56 W1.58  
W1.59 W1.69 W1.70 W1.71 W1.73  
W1.74 W1.77 W1.78 W1.80 W1.81  
W1.82 W1.83 W1.84 W1.85 W1.86  
W1.88 W1.89 W1.90 W1.91 W1.92  
W1.93 W1.94 W1.95 W1.96 W1.98  
W1.99 W1.100 W1.101 W1.102  
W1.103 W1.104 W1.106 W1.107  
W1.110 W1.111 W1.113 W1.114  
W1.115 W1.125  
SECOND FLOOR  
W2.01 W2.03 W2.24 W2.25 W2.26  
W2.35 W2.36 W2.37 W2.57 W2.59  
W2.60 W2.70 W2.71 W2.72 W2.74  
W2.75 W2.78 W2.79 W2.81 W2.82  
W2.83 W2.84 W2.85 W2.86 W2.87  
W2.89 W2.90 W2.91 W2.92 W2.94  
W2.95 W2.96 W2.97 W2.99 W2.100  
W2.101 W2.102 W2.103 W2.104  
W2.105 W2.107 W2.108 W2.111  
W2.112 W2.114 W2.115 W2.116  
W2.126  
THIRD FLOOR  
W3.01 W3.03 W3.24 W3.25 W3.26  
W3.35 W3.36 W3.37 W3.57 W3.59  
W3.60 W3.70 W3.71 W3.72 W3.74  
W3.75 W3.78 W3.79 W3.81 W3.82  
W3.83 W3.84 W3.85 W3.86 W3.87  
W3.89 W3.90 W3.91 W3.92 W3.93  
W3.94 W3.95 W3.96 W3.97 W3.99  
W3.100 W3.101 W3.102 W3.103  
W3.104 W3.105 W3.107 W3.108  
W3.111 W3.112 W3.114 W3.115  
W3.116 W3.126  
FOURTH FLOOR  
W4.01 W4.03 W4.24 W4.25 W4.26  
W4.35 W4.36 W4.37 W4.58 W4.60  
W4.61 W4.67 W4.68 W4.69 W4.71  
W4.72 W4.75 W4.76 W4.78 W4.79  
W4.80 W4.81 W4.82 W4.83 W4.84  
W4.86 W4.87 W4.88 W4.89 W4.90  
W4.91 W4.92 W4.93 W4.94 W4.96  
W4.97 W4.98 W4.99 W4.100 W4.101  
W4.102 W4.104 W4.105 W4.108  
W4.109 W4.111 W4.112 W4.113  
W4.119



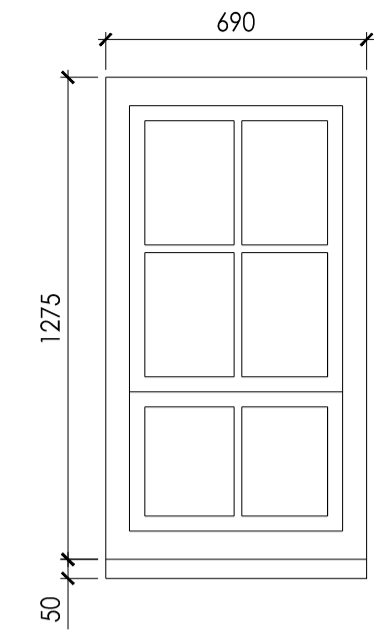
**TYPE 2**  
GROUND FLOOR  
WG.22 WG.37 WG.62 WG.63 WG.68  
WG.71 WG.72 WG.75 WG.82 WG.91  
WG.98 WG.101 WG.102 WG.105  
WG.110 WG.114  
FIRST FLOOR  
W1.02 W1.21 W1.36 W1.57 W1.61 W1.64  
W1.67 W1.72 W1.75 W1.76 W1.79 W1.87  
W1.97 W1.105 W1.108 W1.109 W1.112  
W1.117 W1.120 W1.123  
SECOND FLOOR  
W2.23 W2.38 W2.62 W2.64 W2.66 W2.68  
W2.76 W2.77 W2.88 W2.98 W2.109  
W2.110 W2.118 W2.120 W2.122 W2.124  
THIRD FLOOR  
W3.02 W3.23 W3.38 W3.58 W3.62 W3.64  
W3.65 W3.66 W3.68 W3.73 W3.76 W3.77  
W3.80 W3.88 W3.98 W3.106 W3.109  
W3.110 W3.113 W3.118 W3.120 W3.121  
W3.122 W3.124  
FOURTH FLOOR  
W4.02 W4.23 W4.38 W4.59 W4.62 W4.63  
W4.64 W4.65 W4.66 W4.70 W4.73 W4.74  
W4.77 W4.85 W4.95 W4.103 W4.106  
W4.107 W4.110 W4.114 W4.115 W4.116  
W4.117 118



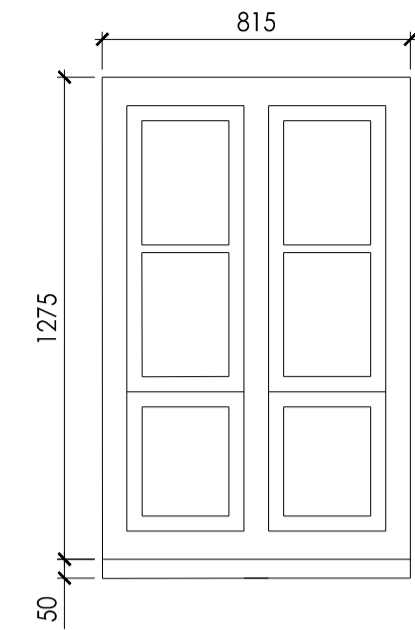
**TYPE 3**  
GROUND FLOOR  
WG.03 WG.21 WG.26  
WG.33 WG.38 WG.57  
WG.61 WG.64 WG.109  
WG.115  
FIRST FLOOR  
W1.04 W1.20 W1.24 W1.32  
W1.37 W1.55 W1.60 W1.62  
W1.66 W1.68 W1.116  
W1.118 W1.122 W1.124  
SECOND FLOOR  
W2.04 W2.22 W2.27 W2.34  
W2.39 W2.61 W2.63 W2.67  
W2.69 W2.117 W2.119  
W2.123 W2.125  
THIRD FLOOR  
W3.04 W3.22 W3.27 W3.34  
W3.39 W3.56 W3.61 W3.63  
W3.67 W3.69 W3.117  
W3.119 W3.123 W3.125  
FOURTH FLOOR  
W4.04 W4.22 W4.27 W4.34  
W4.39 W4.57



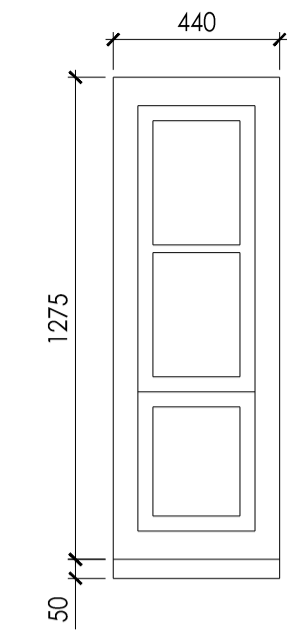
**TYPE 4**  
GROUND FLOOR  
WG.09 WG.11 WG.12 WG.14  
WG.15 WG.16 WG.18 WG.19  
WG.20 WG.28 WG.29 WG.30  
WG.31 WG.39 WG.40 WG.41  
WG.44 WG.47 WG.50 WG.55  
FIRST FLOOR  
W1.06 W1.07 W1.10 W1.12  
W1.13 W1.14 W1.15 W1.16  
W1.18 W1.19 W1.27 W1.28  
W1.29 W1.30 W1.39 W1.40  
W1.43 W1.44 W1.45 W1.46  
W1.47 W1.50 W1.54  
SECOND FLOOR  
W2.05 W2.07 W2.08 W2.11  
W2.12 W2.15 W2.16 W2.18  
W2.20 W2.29 W2.30 W2.31  
W2.32 W2.41 W2.43 W2.45  
W2.46 W2.47 W2.48 W2.50  
W2.51 W2.53 W2.54  
THIRD FLOOR  
W3.05 W3.07 W3.08 W3.11  
W3.12 W3.15 W3.16 W3.18  
W3.20 W3.29 W3.30 W3.32  
W3.41 W3.43 W3.45 W3.46  
W3.47 W3.48 W3.50 W3.51  
W3.53 W3.54  
FOURTH FLOOR  
W4.05 W4.07 W4.08 W4.11  
W4.12 W4.15 W4.16 W4.18  
W4.20 W4.29 W4.30 W4.32  
W4.40 W4.41 W4.44 W4.45  
W4.48 W4.49 W4.52 W4.54  
W4.55



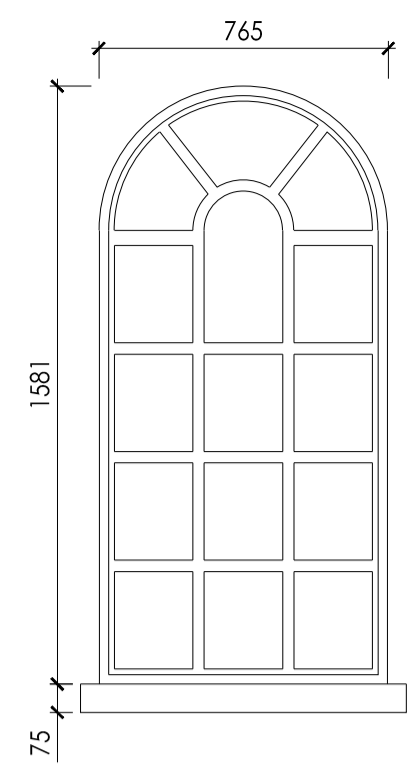
**TYPE 5**  
GROUND FLOOR  
WG.04 WG.05 WG.07  
WG.10 WG.27 WG.32  
WG.42 WG.43 WG.48  
WG.49 WG.52 WG.54  
WG.56  
FIRST FLOOR  
W1.05 W1.08 W1.26 W1.31  
W1.38 W1.41 W1.42 W1.48  
W1.49 W1.51  
SECOND FLOOR  
W2.06 W2.09 W2.10 W2.13  
W2.14 W2.17 W2.19 W2.21  
W2.28 W2.33 W2.40 W2.42  
W2.44 W2.49 W2.52 W2.55  
THIRD FLOOR  
W3.06 W3.09 W3.10 W3.13  
W3.14 W3.17 W3.19 W3.21  
W3.28 W3.31 W3.33 W3.40  
W3.42 W3.44 W3.49 W3.52  
W3.55  
FOURTH FLOOR  
W4.06 W4.09 W4.10 W4.13  
W4.14 W4.17 W4.19 W4.21  
W4.28 W4.31 W4.33 W4.42  
W4.50 W4.51 W4.53 W4.56



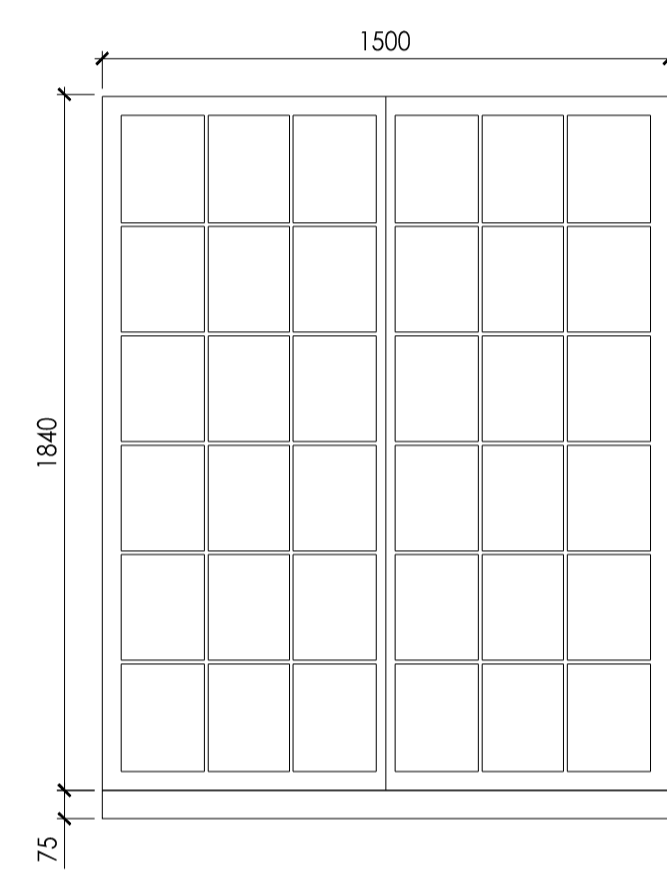
**TYPE 6**  
FOURTH FLOOR  
W4.46 W4.47



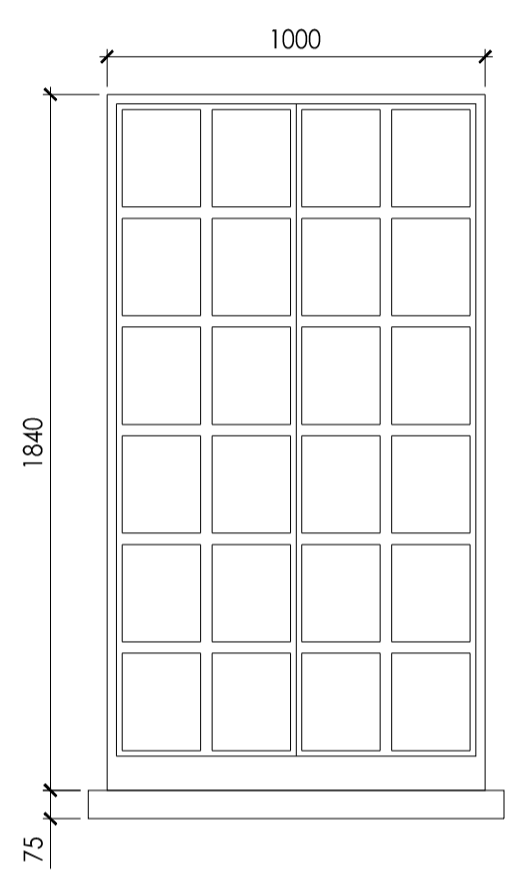
**TYPE 7**  
GROUND FLOOR  
WG.06 WG.08 WG.17  
WG.51 WG.53  
FOURTH FLOOR  
W4.43



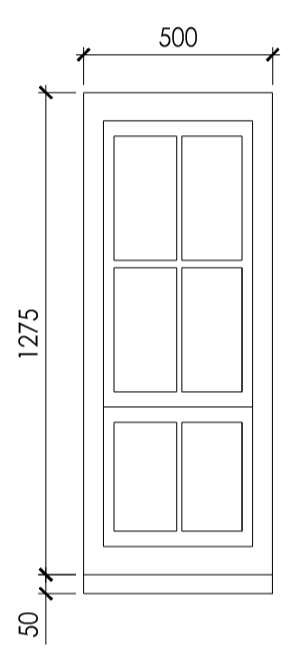
**TYPE 8**  
GROUND FLOOR  
WG.86 WG.87



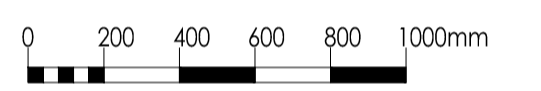
**TYPE 10**  
GROUND FLOOR  
W1.63 W1.65 W1.119 W1.121  
SECOND FLOOR  
W2.02 W2.58 W2.65 W2.73 W2.80  
W2.106 W2.113 W2.121



**TYPE 11**  
GROUND FLOOR  
WG.70 WG.93



**TYPE 9**  
GROUND FLOOR  
WG.52 WG.53



DO NOT SCALE FOR CONSTRUCTION



BUILDING SURVEYING  
ARCHITECTURE  
PROJECT MANAGEMENT  
QUANTITY SURVEYING

HOLMBURY HOUSE  
DORKING BUSINESS PARK  
STATION ROAD, DORKING  
SURREY RH4 1HJ

T 01306 887070  
F 01306 876716  
admin@bpg.co.uk  
www.bpg.co.uk

**PROJECT**

ST FRANCIS WINDOW REPLACEMENT

**CLIENT**

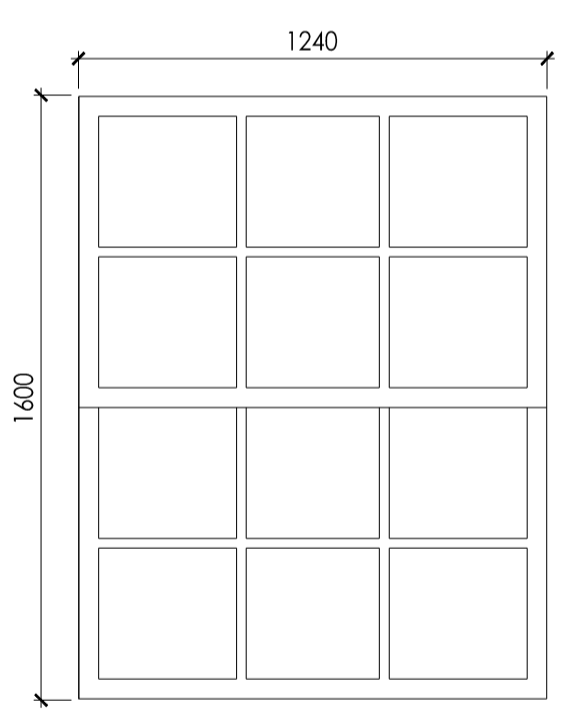
ORIGIN HOUSING

<b>DRAWN</b>	CN	<b>DATE</b>	APRIL 2015
<b>CHECKED</b>	RM	<b>FOR</b>	PLANNING

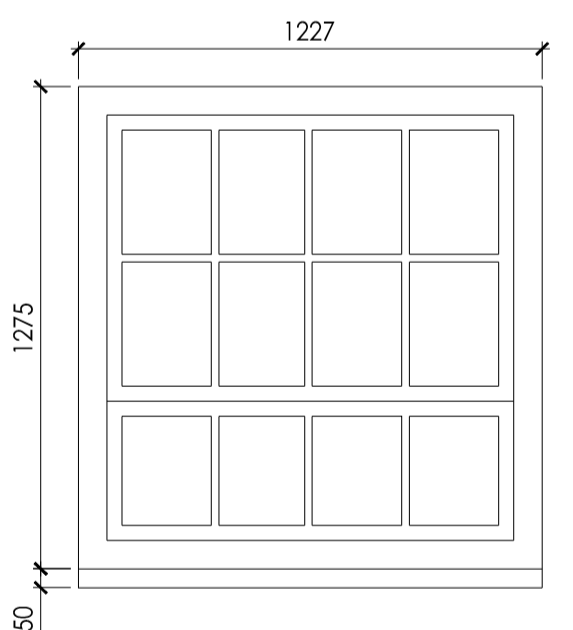
**TITLE**

WINDOW SCHEDULE - EXISTING

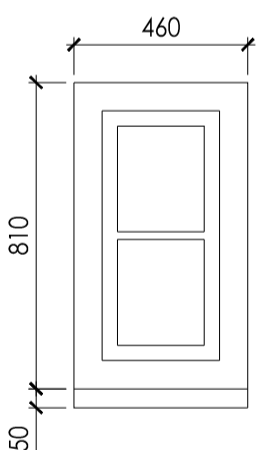
<b>DRAWING NO.</b>	3711 / PL009	<b>REV</b>	*
--------------------	--------------	------------	---



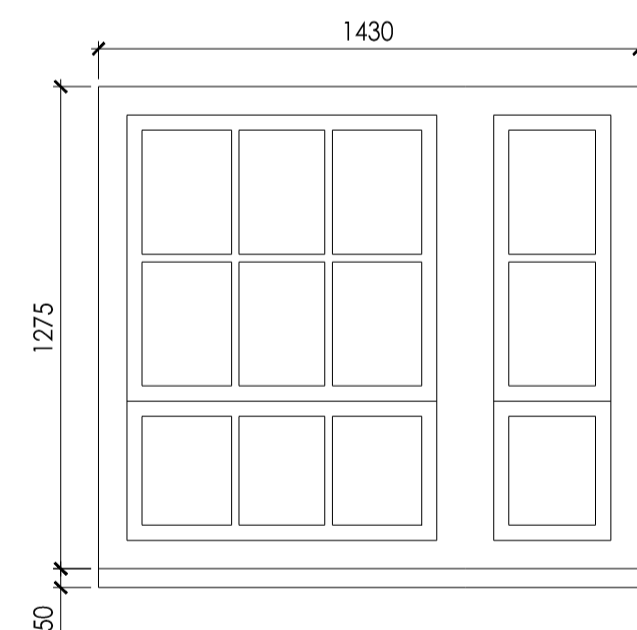
**TYPE 12**  
GROUND FLOOR  
WG.59



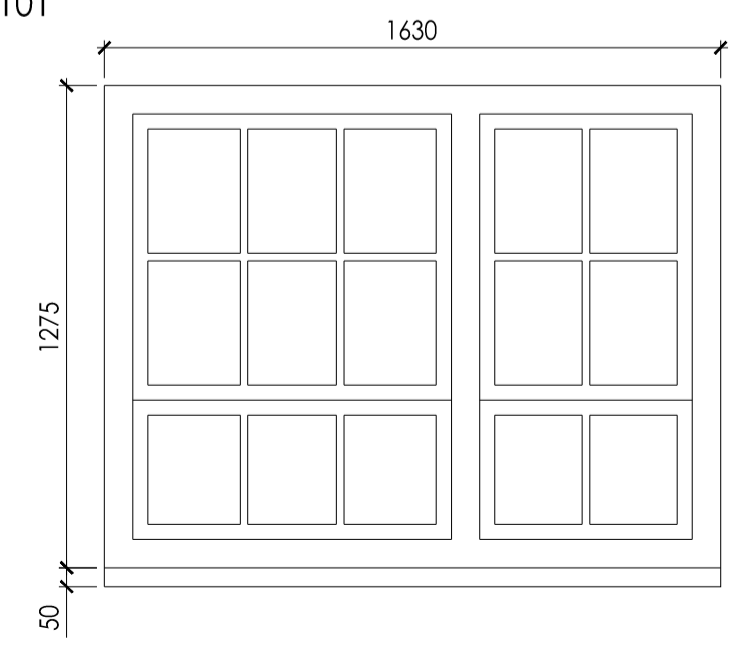
**TYPE 13**  
GROUND FLOOR  
WG.45 WG.46



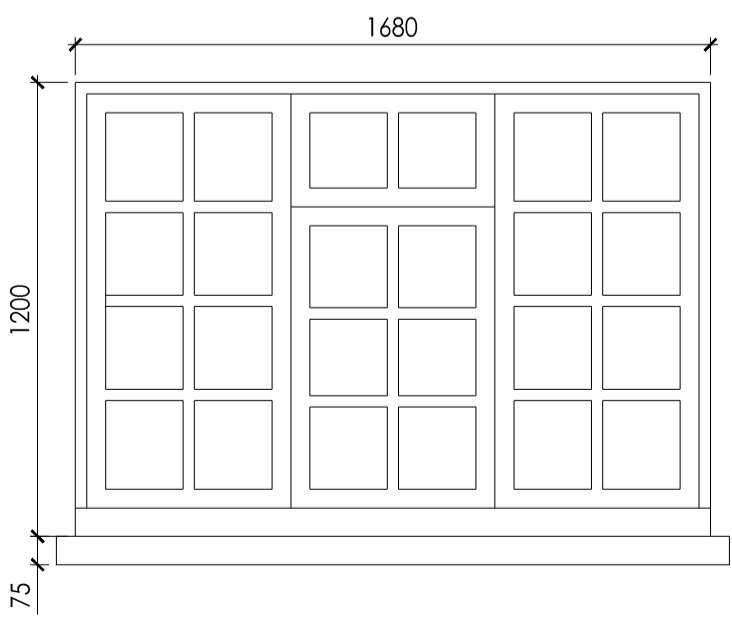
**TYPE 14**  
FIRST FLOOR  
W1.09 W1.17



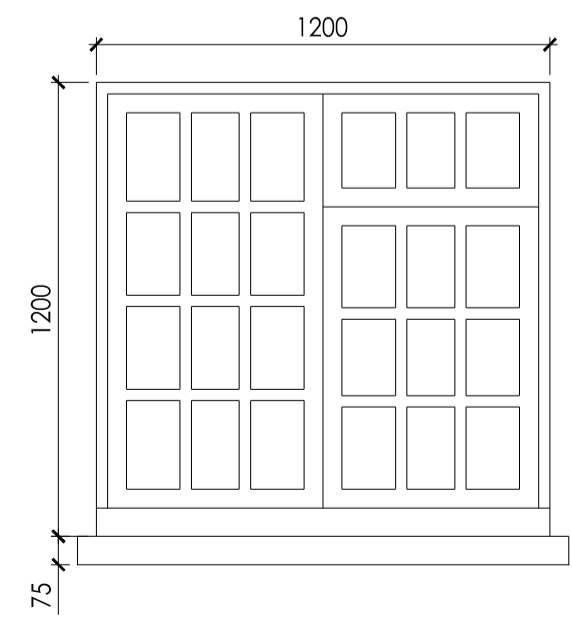
**TYPE 15**  
FIRST FLOOR  
W1.11



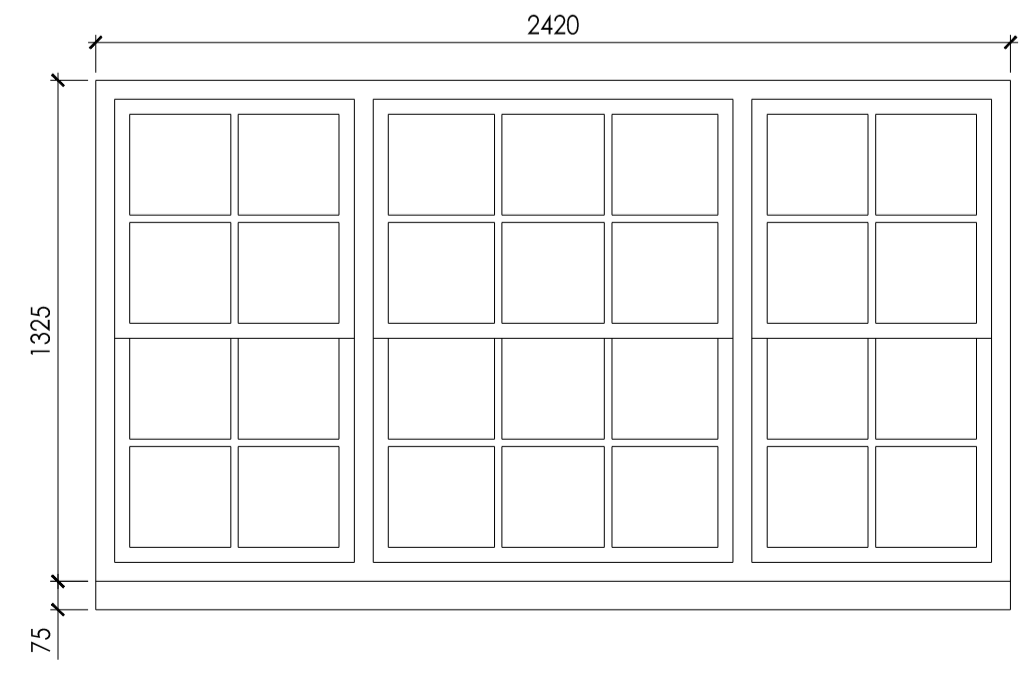
**TYPE 16**  
GROUND FLOOR  
WG.13



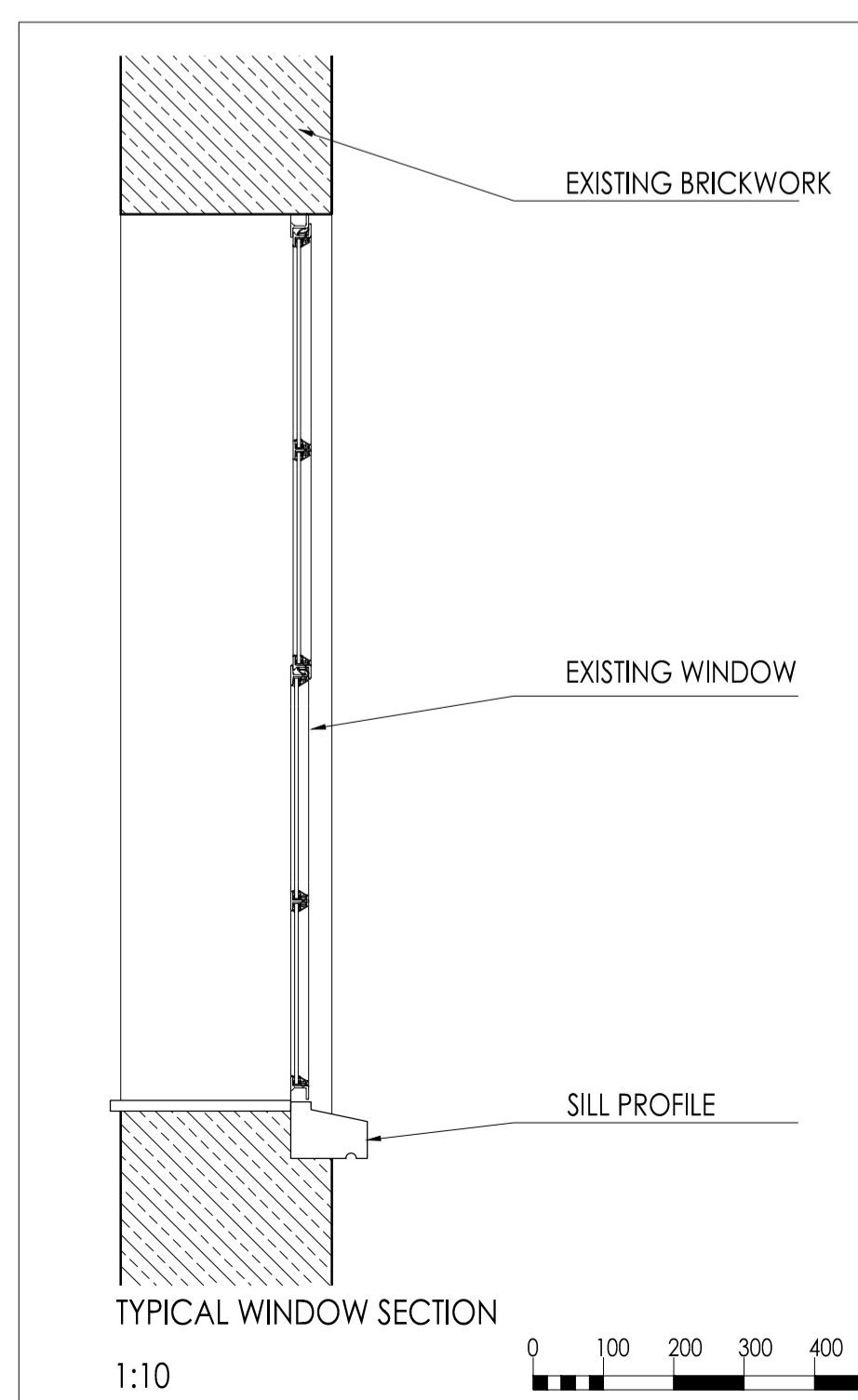
**TYPE 17**  
GROUND FLOOR  
WG.112 WG.113



**TYPE 18**  
GROUND FLOOR  
WG.111



**TYPE 19**  
GROUND FLOOR  
WG.01



1:10

