

**NOTES:**

The drawing must not be scaled and all dimensions are to be checked on site before work is commenced.  
 The drawing is to be read in conjunction with all other Structural Engineers and Service Engineers drawings and written specifications.

**SPECIFICATIONS:**

REVISION		
N	DATE	NOTES

**PROJECT:**  
 FLAT 4, 62 Belsize Park

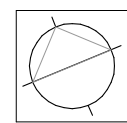
**DRAWING N:**  
 BP-PP-DE1-002-A

**DRAWING:**  
 Dormer window detail

- PRELIMINARY
- PLANNING APPROVAL
- CONSTRUCTION
- DESIGN INFORMATION
- TENDER
- AS BUILT

**CLIENT:**  
 Ms. Charlotte Wayne

**LOCATION:** 62 Belsize Park - NW3 4EH



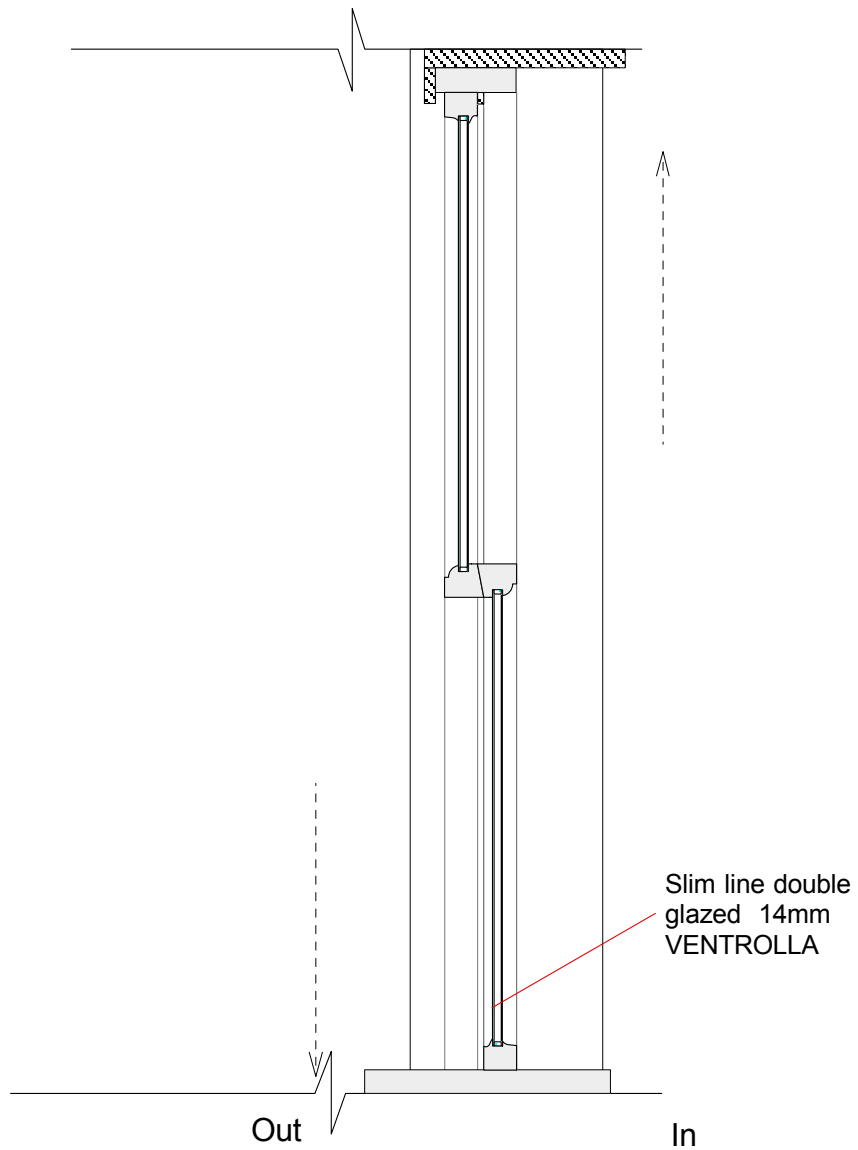
**DATE:**  
 26.03.15

**SCALE:**  
 1:20 @A3

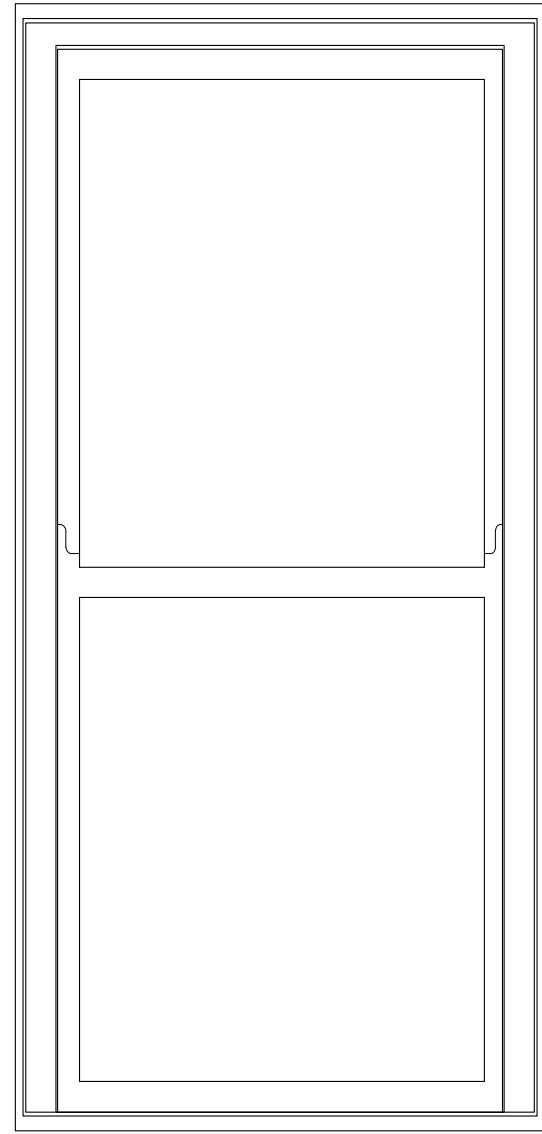
**REV:**

**PROJECT DESIGNER:**

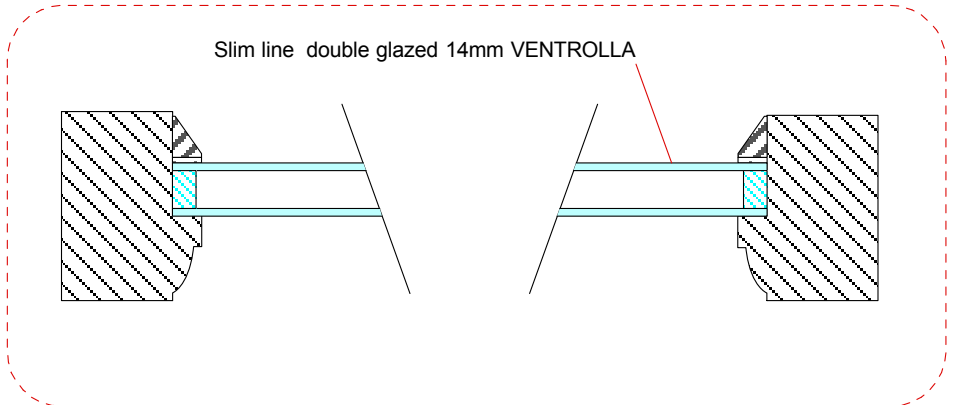
**RMFstudio** 120 Fortune Green Road  
 NW6 1DN / London  
 t. 0207 4355008  
**DESIGNER:**  
 Marco Ferrara-Bardile  
 marco@rmfstudio.com  
 t. 0797 5644556



18 62 BELSIZE PARK -DETAIL /SECTION -SASH WINDOW  
 Scale: 1:10



19 62 BELSIZE PARK -DETAIL /ELEVATION -SASH WINDOW  
 Scale: 1:10



20 62 BELSIZE PARK - DETAIL /PLAN SECTION-SASH WINDOW  
 Scale: Half Actual Size