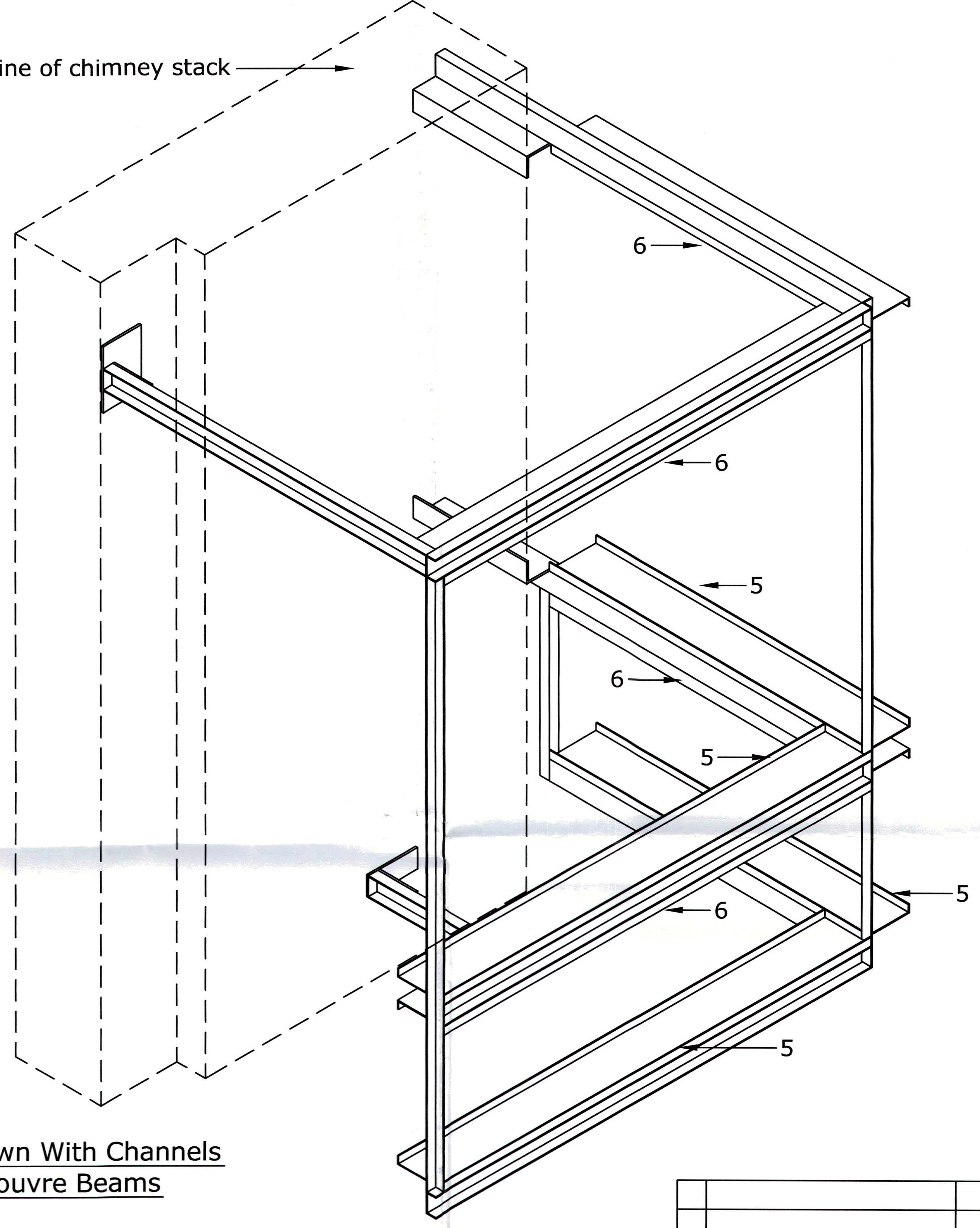


DO NOT SCALE

outline of chimney stack →



Framework to Support Acoustic Beams
above shows basic frame only

- 1: 100x50 RSC with wall brackets
- 2: 100x50 RSC fixed to existing condenser support steelwork
- 3: 100x50x3.0 folded channel
- 4: 50x50 RSA
- 5: 305x25x1.5 folded channel to top of channel item 2
- 6: 305x25x1.5 folded channel to underside of channel item 2

NOTE: the above are typical suggestions only and Noico do not take any design responsibility.
Actual design and steel sections to be confirmed by Borahurst's and structural engineers. Frame to be supplied and fitted by Borahurst.

Framework Shown With Channels
to Locate Louvre Beams

COPYRIGHT © 2015
This drawing is supplied under the express condition that it is not communicated to any other person without the written permission of Noico Limited.



Patrick House, Station Road
Hook, Hants. RG27 9HU
Tel: 01256 766207
Fax: 01256 768413
email: sales@noico.co.uk

A		First issue	26/02/15
Client: Borahurst Ltd			
File no. 250126			
Project 12-14 Bloomsbury Square London WC1B 2LP			
Title Isometric of Proposed Louvre Support Frame			
Drawing No. 01		Rev. A	
Date 26 Feb 2015	Scale NTS	Drawn BSK	