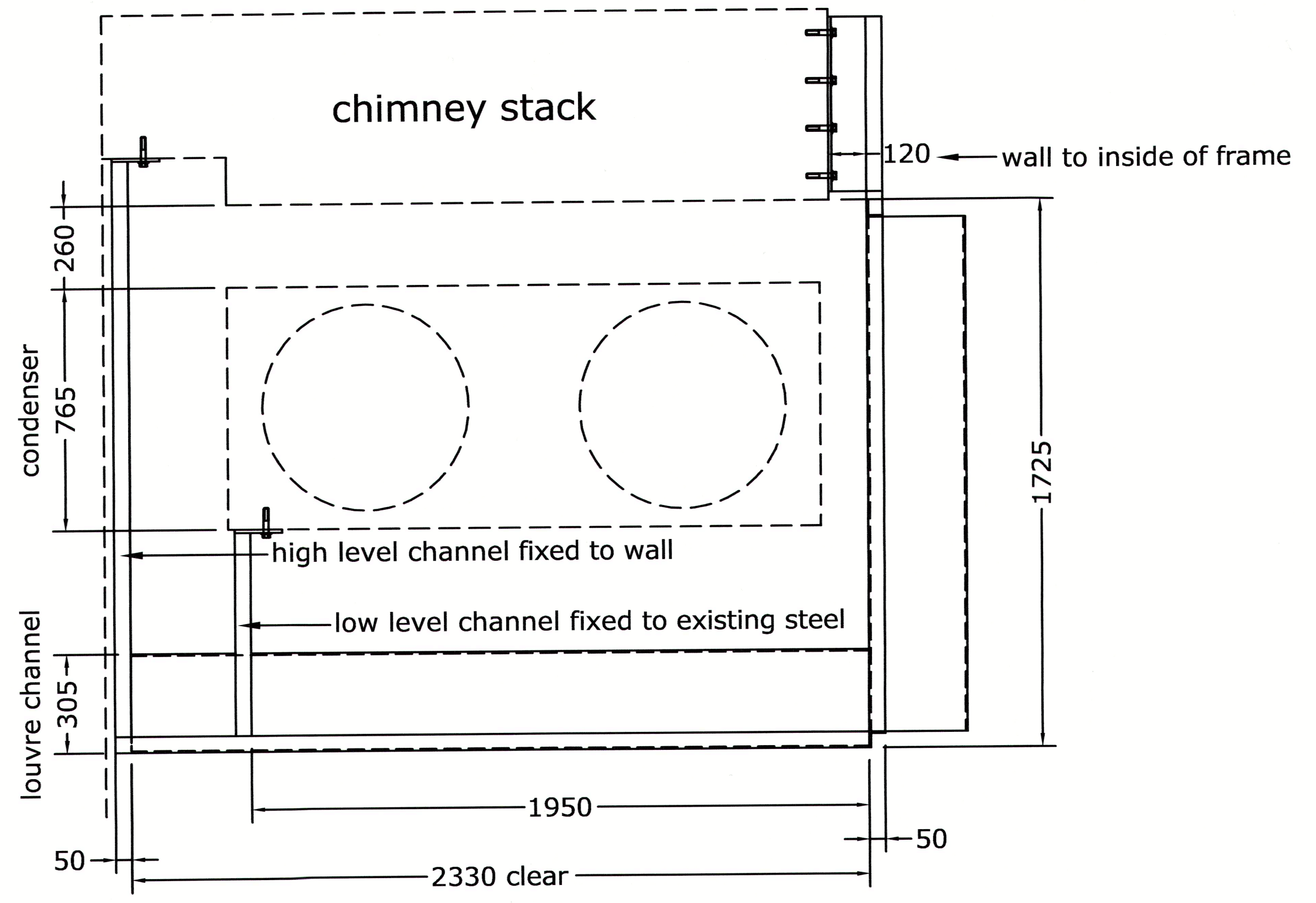


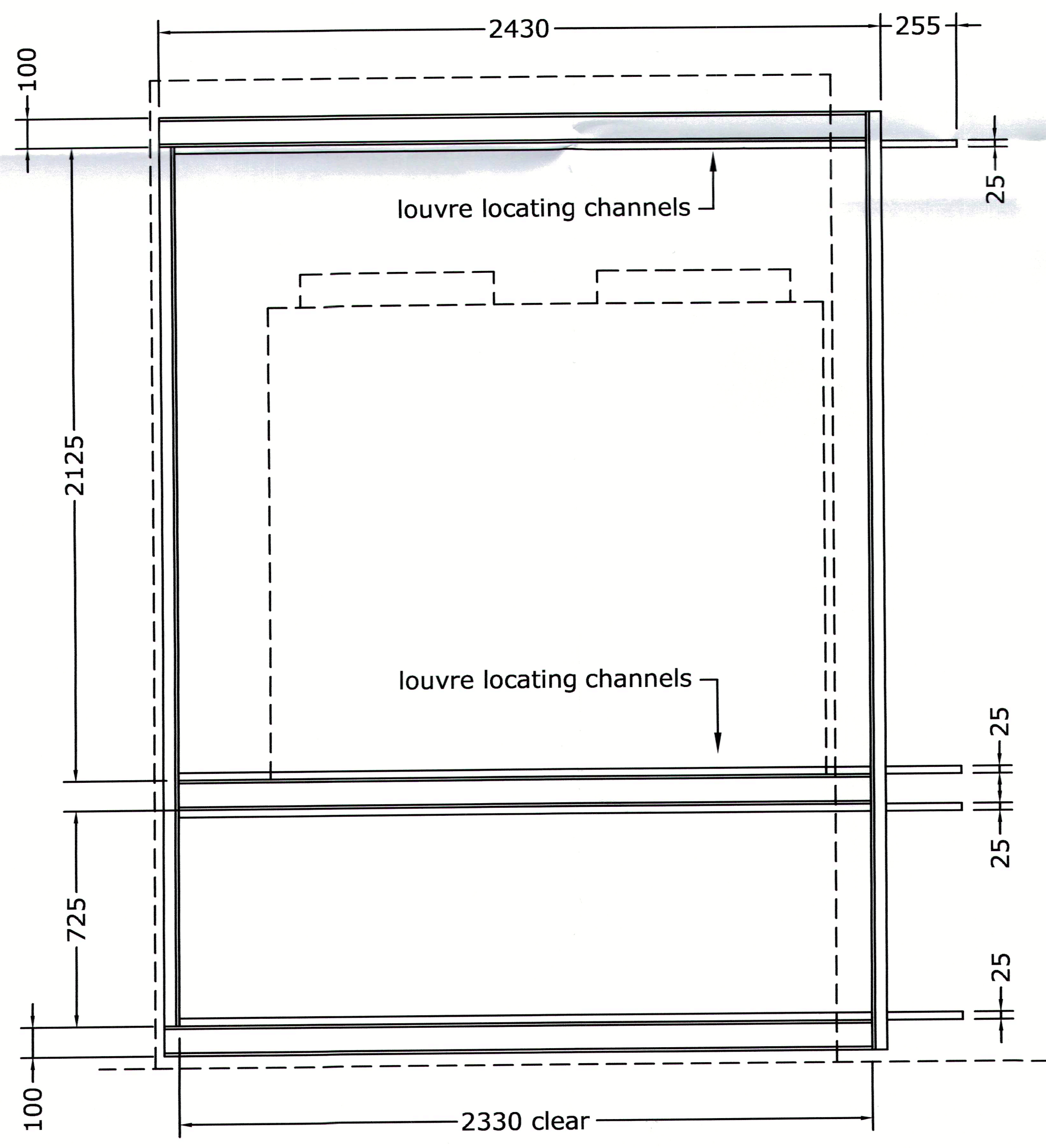


Patrick House, Station Road
 Hook, Hants. RG27 9HU
 Tel: 01256 766207
 Fax: 01256 768413
 email: sales@noico.co.uk

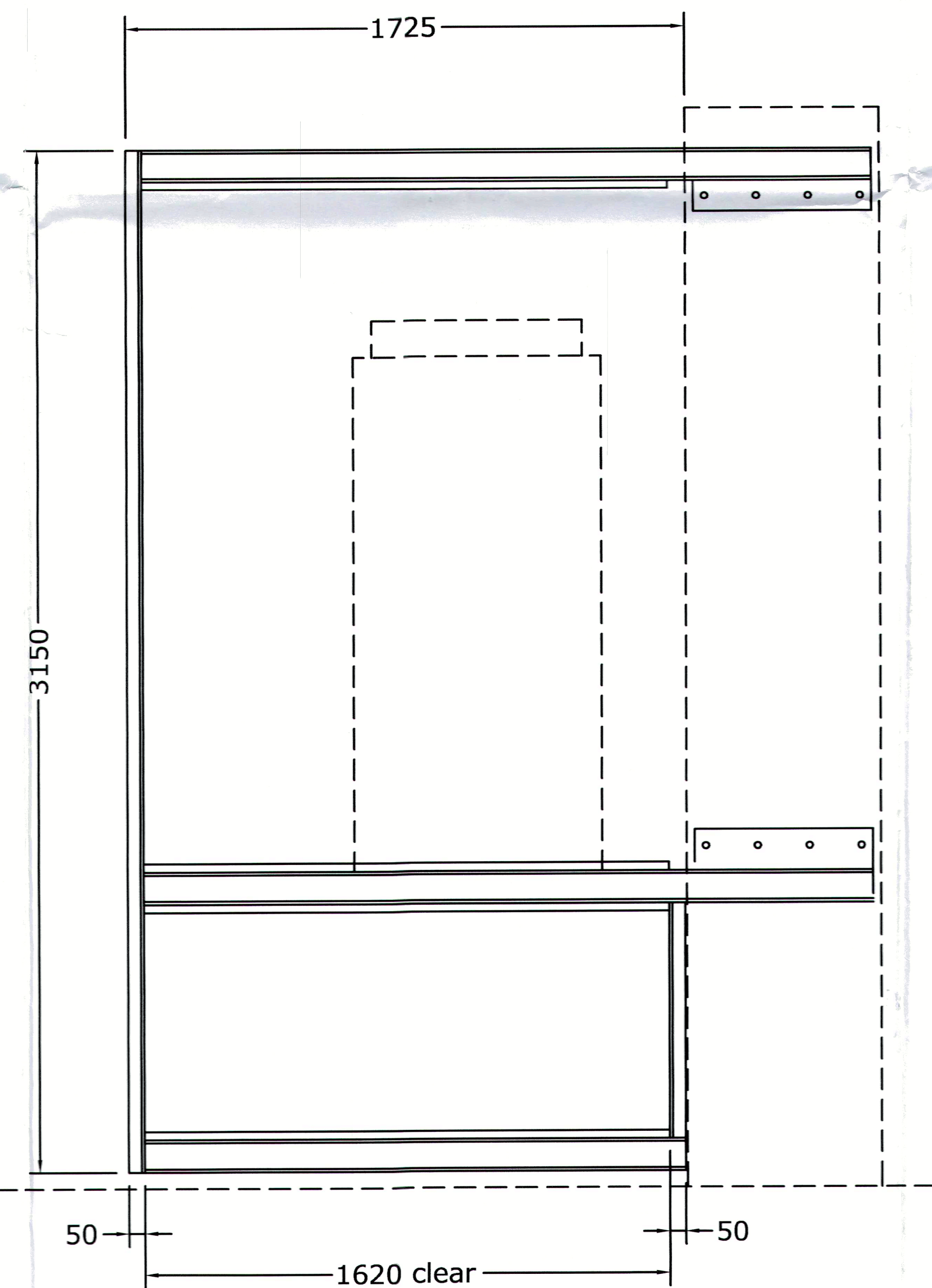


Plan on Frame

NOTE: frame design is a proposal only.
 Noico do not take any design responsibility.
 Actual design, steel sections and dimensions to be confirmed by Borahurst's and structural engineers.
 Frame to be supplied and fitted by Borahurst.



Front Elevation



Side Elevation

A	First issue	26/02/15
Client: Borahurst Ltd		
File no. 250126		
Project 12-14 Bloomsbury Square London WC1B 2LP		
Title General Arrangement of Support Frame for Acoustic Louvre Beams		
Drawing No. 02	Rev. A	
Date 26 Feb 2015	Scale NTS	Drawn BSK