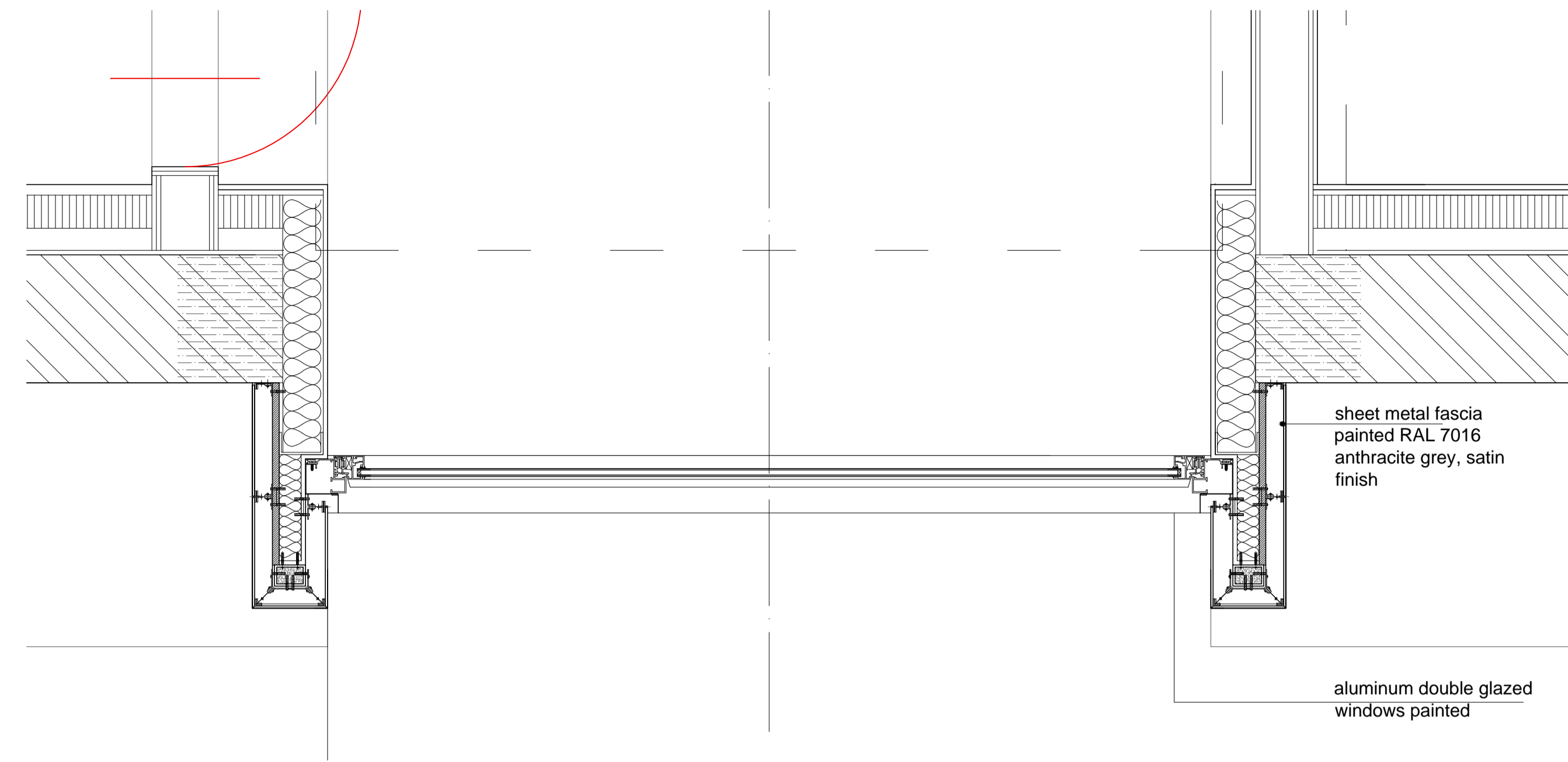
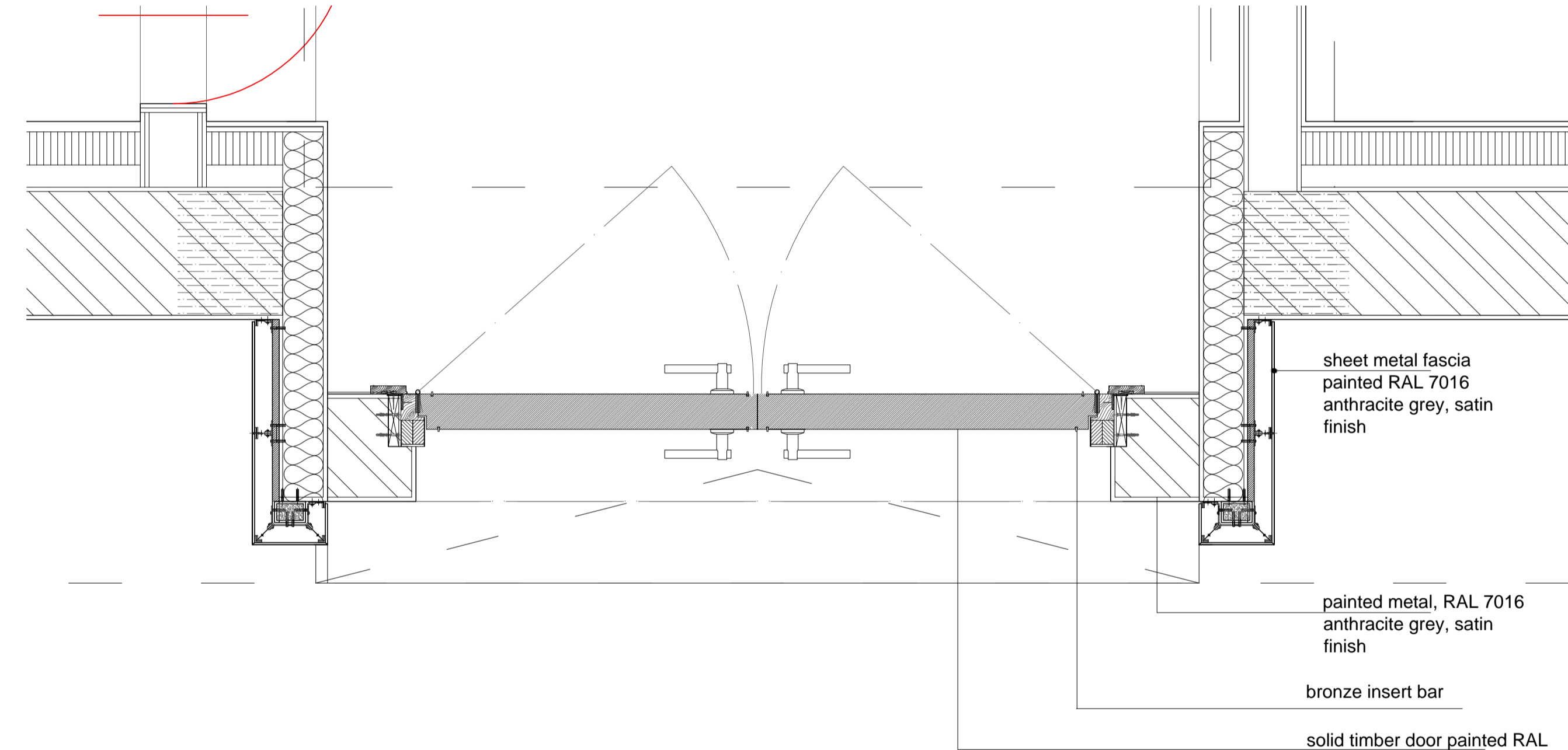


3 NEW EXTERNAL DOOR 26 — cornice detail
1/2



1 NEW EXTERNAL WINDOW 26 — PLAN
1/10



2 NEW EXTERNAL DOOR 26 — PLAN
1/10

ISSUED				ISSUED			
No.	Description	Date	Drawn by	No.	Description	Date	Drawn by
a	issued for planning conditions	08/04/15	C.O./P.B				

NOTES
Do not scale the drawings, use only dimensions where indicated. Where no dimension is indicated then site surveys should be undertaken.
All dimensions should be checked on site before any manufacture or construction is undertaken.

This Drawing and any associated design intent information, in any format, are the property of OAC (Office for Architectural Culture), copyright is reserved by OAC. This document is issued on condition that it is not copied, amended or disclosed in any way by or to any unauthorized persons without the prior consent in writing of OAC.
Do not scale from this drawing. All dimension are in millimeters unless otherwise stated.
Dimension on site and all equipment sizes to be verified prior to work commencing if in doubt ask.

CLIENT
York Global LTD

SITE
26 Argyle Square
London WC1H 8AP

SHEET TITLE
EXTERNAL DOOR 26
DETAILS 2

ISSUE DATE
24/01/15

SCALE
1 : 10 @ A1

SHEET NO.
1310-D-003a

ARCHITECTS
Office for Architectural Culture
ARCHITECTURE & INTERIOR DESIGN
INTERIOR PRODUCT DEVELOPMENT & DESIGN
SOUTHBRIDGE HOUSE, BACK PENCE ROAD, LONDON SE1 7SL, UNITED KINGDOM
REGISTERED IN ENGLAND & WALES OFFICE FOR ARCHITECTURAL CULTURE LTD 10760491
© 2015 Office for Architectural Culture - All Rights Reserved