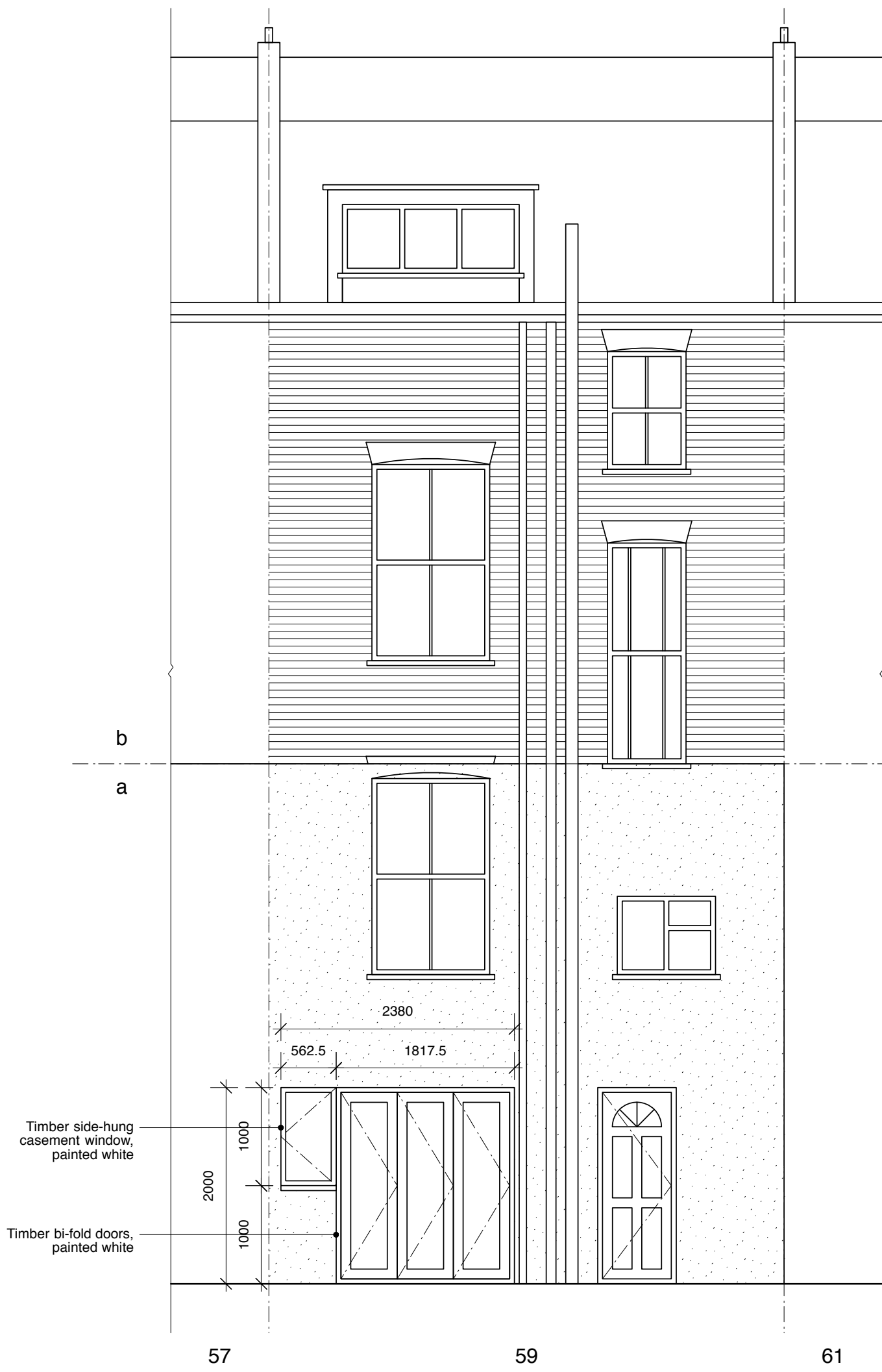
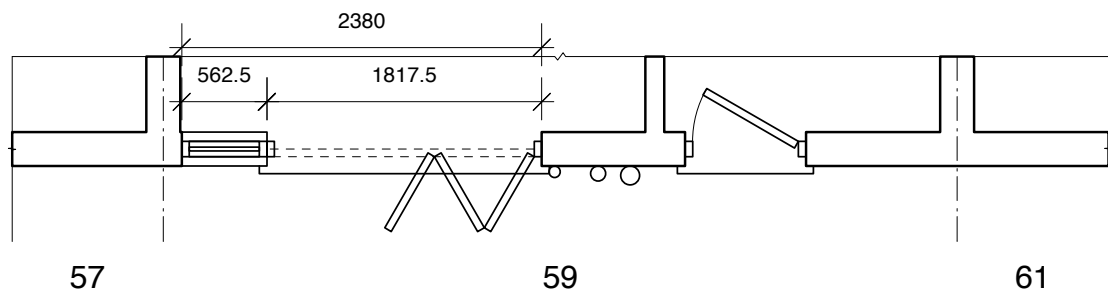


PROPOSED



Elevation



Plan

Simon Drayson Darren Leach Architects			
Flat 40 Gabriel House, 10 Odessa Street, London SE16 7HQ T 0207 231 7495			
Project			
Rear Facade Alterations 59a Gaisford Street London NW5 2EB			
Client			
Tracy Short			
Drawing Title			
Proposed Elevation and Plan			
Scale	1:50 at A3	Date	April 2015
Drawn	SD	CHKD	DL
DWG No.	PR01	Rev.	A