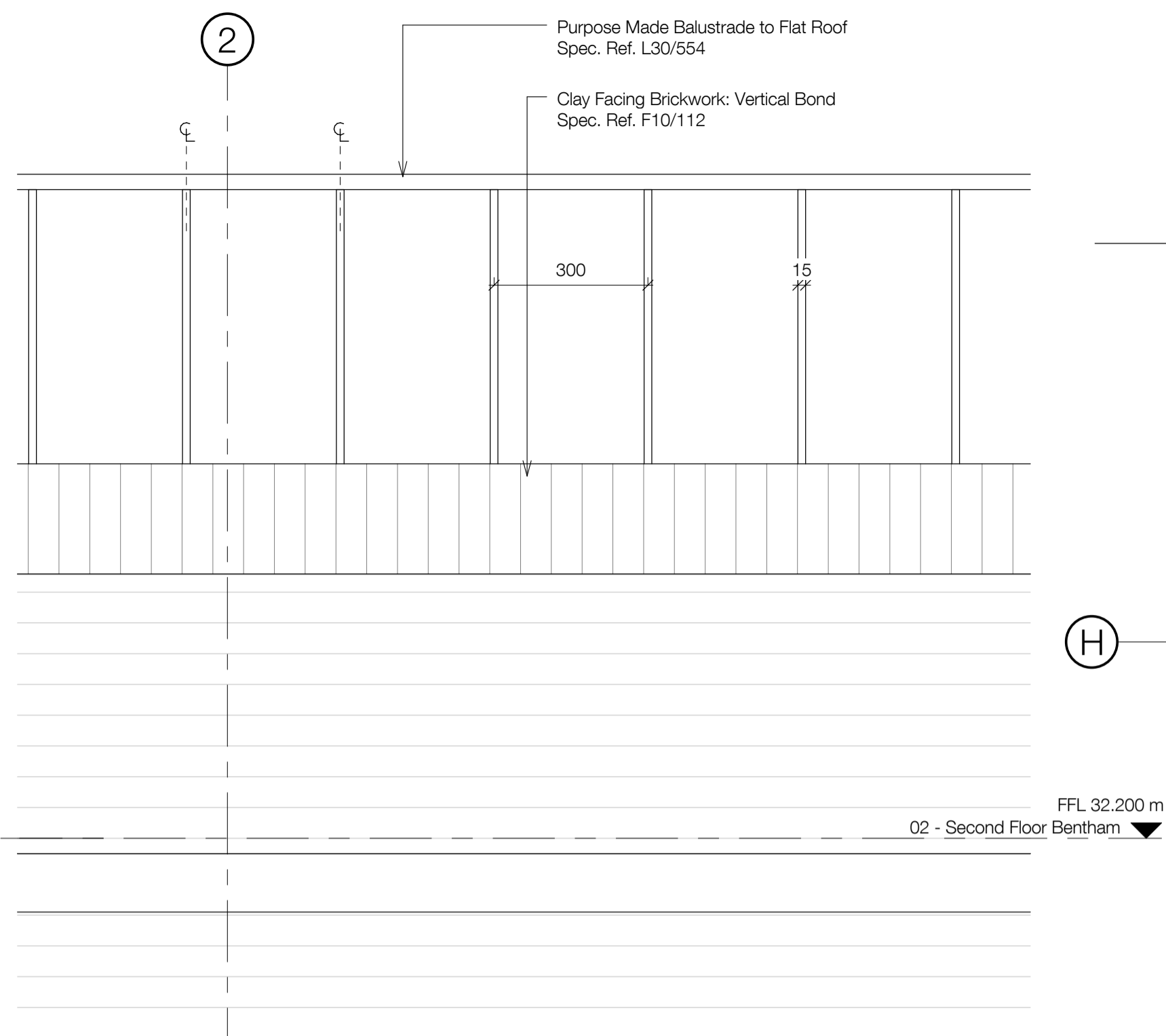
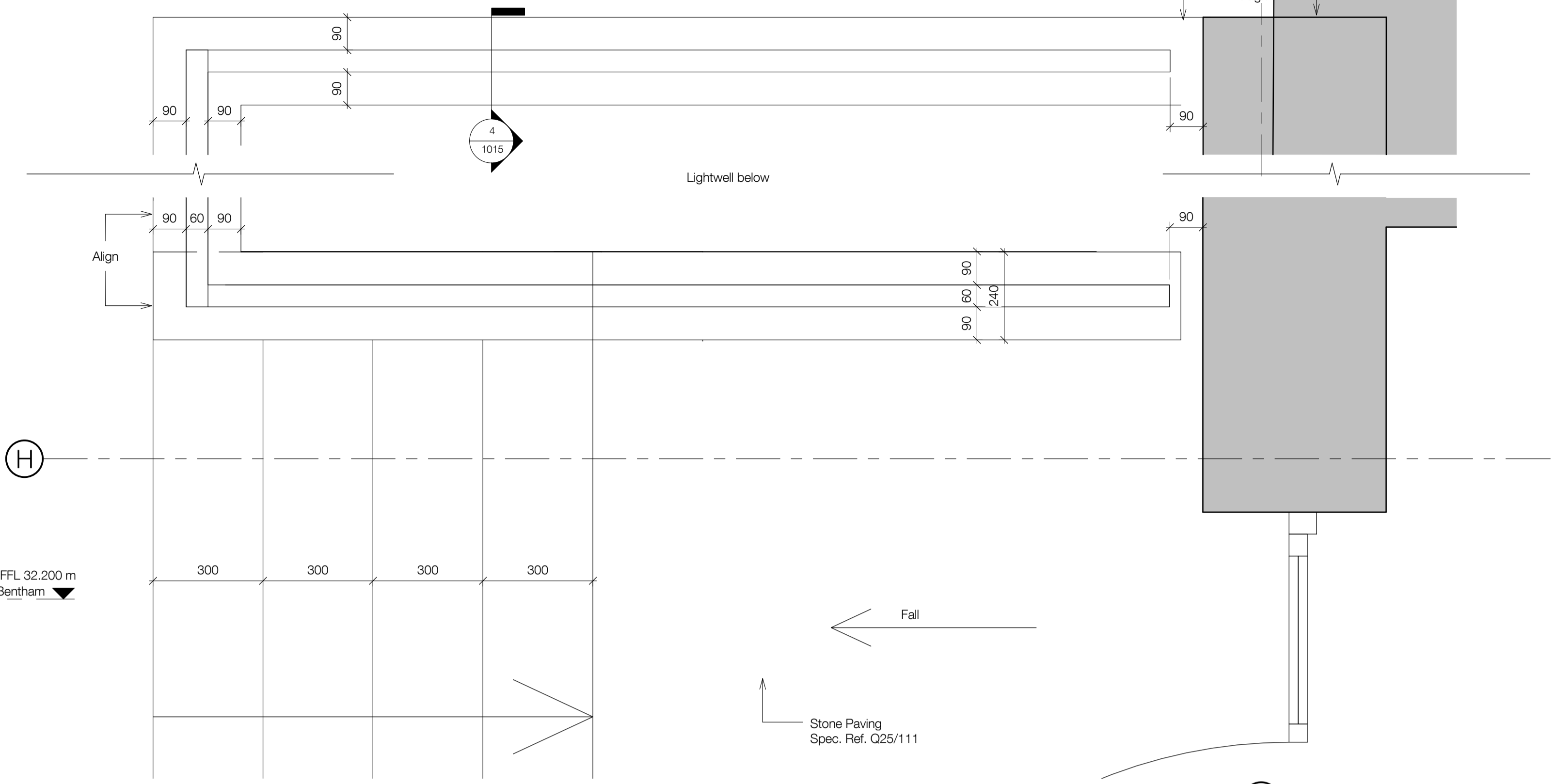


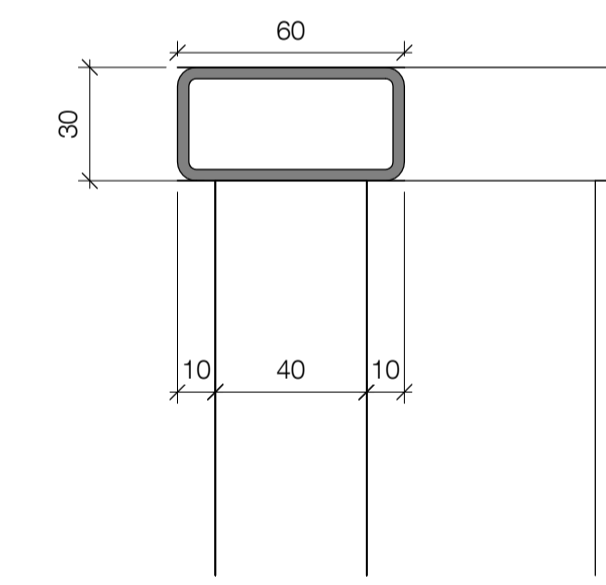
1 Access guarding - Section  
1 : 10



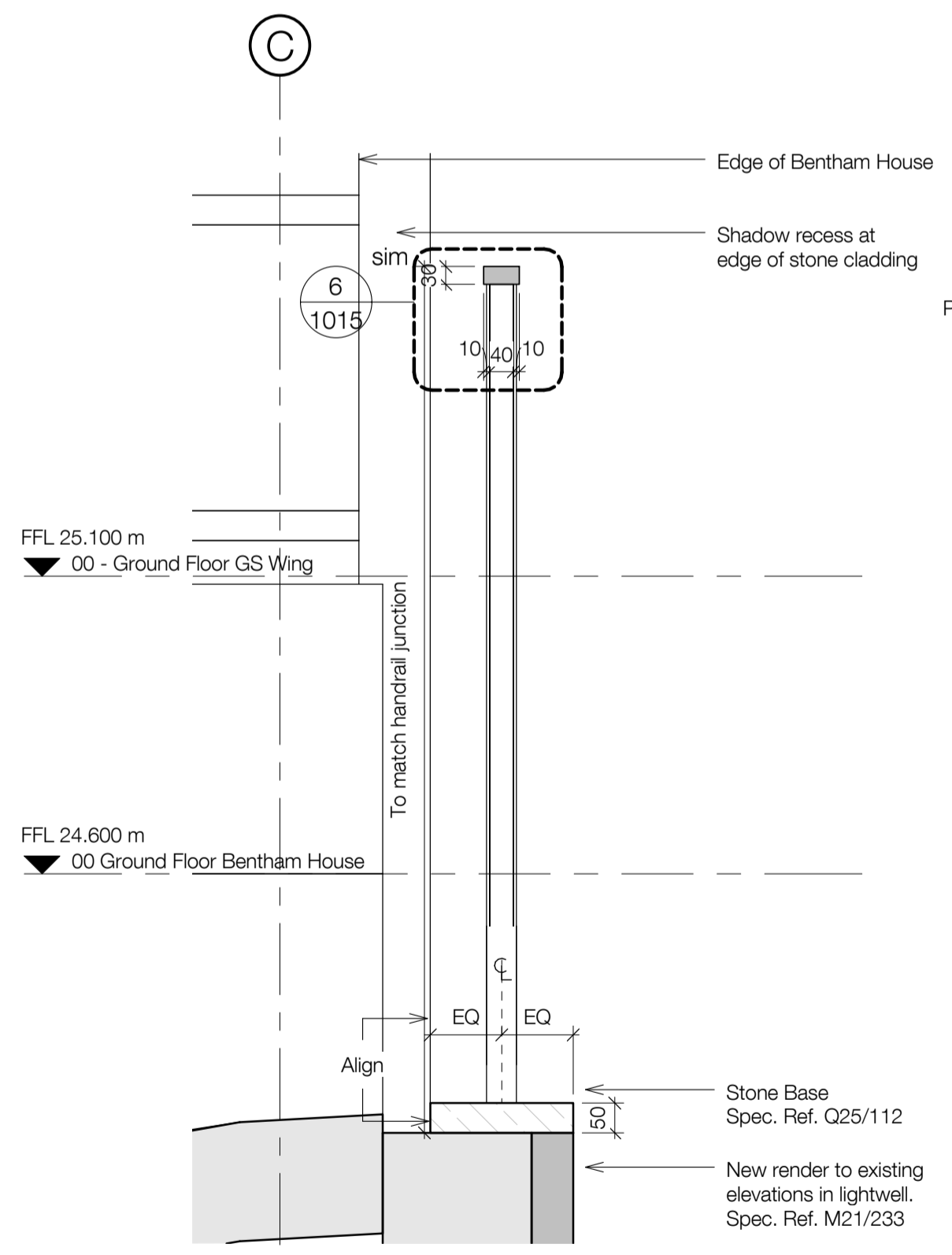
2 Access guarding - Elevation  
1 : 10



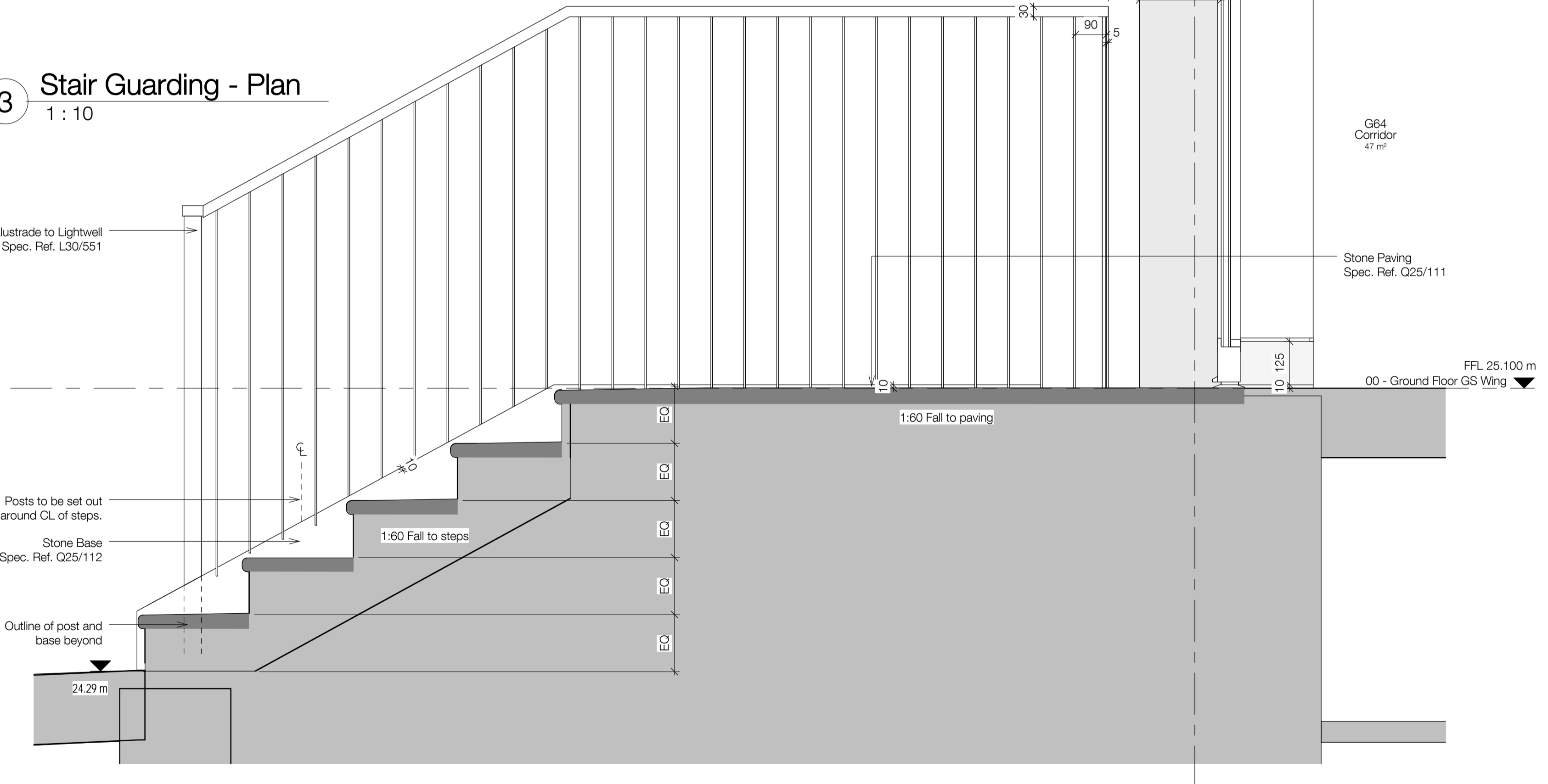
3 Stair Guarding - Plan  
1 : 10



6 Handrail Detail  
1 : 2



4 Street guarding - Section  
1 : 10



5 Stair Guarding - Section  
1 : 10

# UCL LAWS Bentham House

**standard notes**

1. Do not scale this drawing.
2. All dimensions must be checked on site and any discrepancies verified with the architect.
3. Unless shown otherwise, all dimensions are to structural surfaces.

THIS IS NOT A CONSTRUCTION DRAWING. IT IS UNSUITABLE FOR THE PURPOSE OF CONSTRUCTION AND MUST ON NO ACCOUNT BE USED AS SUCH.

**drawing notes**

DESIGN INTENT: These are design intent drawings and do not show full construction information. The Contractor must develop the details, without changing the visual, spatial or other performances, to provide a fully developed scheme including all concealed components such as wind posts, vapour barriers and cavity barriers. All dimensions on this drawing are taken to finished surfaces unless specifically indicated on the dimensions itself.

KEY:

- Existing building (assumed)
- Proposed building

**revisions**

P1	27.02.15	Issued for Pre-Tender Estimate
T1	25.03.15	Issued for Tender
P2	31.03.15	Planning Conditions Issue

**date** 08/11/14  
**client** UCL  
**scale** As indicated  
**drawing** Metalwork - Stairs, Railings  
**drawn** JM  
**checked** TG  
**drawing number** 3000-A-1015  
**rev** P2

**Levitt Bernstein**  
1 Kingsland Passage  
London E8 2BB  
t: 020 7275 7676  
f: 020 7275 9348  
w: levittberstein.co.uk  
e: post@levittberstein.co.uk  
Levitt Bernstein

C:\Revit Local\Project Path\3000\_UCL Laws\_CENTRAL\_jonathan.mann.rvt