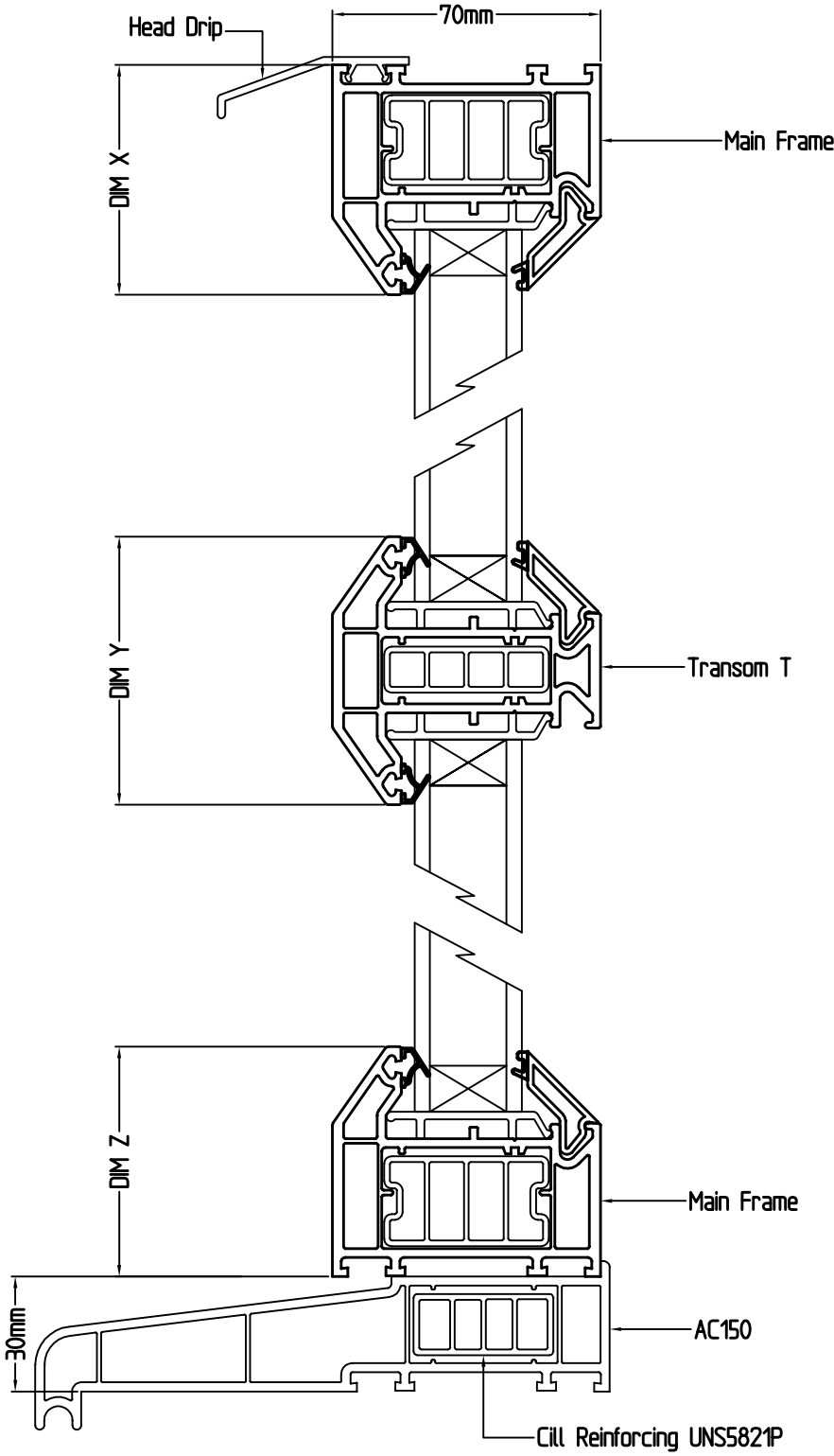
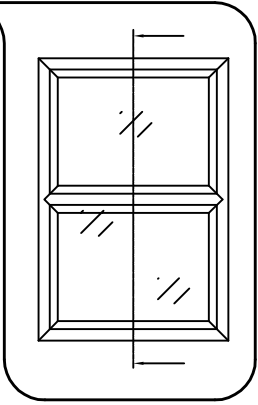


Outward Opening / Inward Glazed - Vertical Section



DIMENSION 'X'

FRAME	DIMENSION	DIM X
Thermalogik Frame (EWS 7001)		50mm
Main Frame (EWS 7021)		60mm
Large Main Frame (EWS 7006)		75mm

DIMENSION 'Y'

FRAME	DIMENSION	DIM Y
Transom Z (EWS 7002)		70mm
Intermediate Transom T (EWS 7022)		85mm

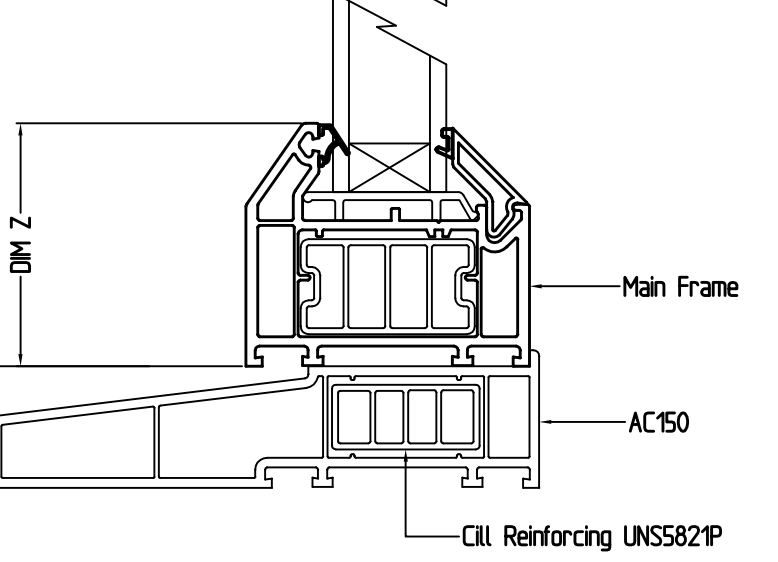
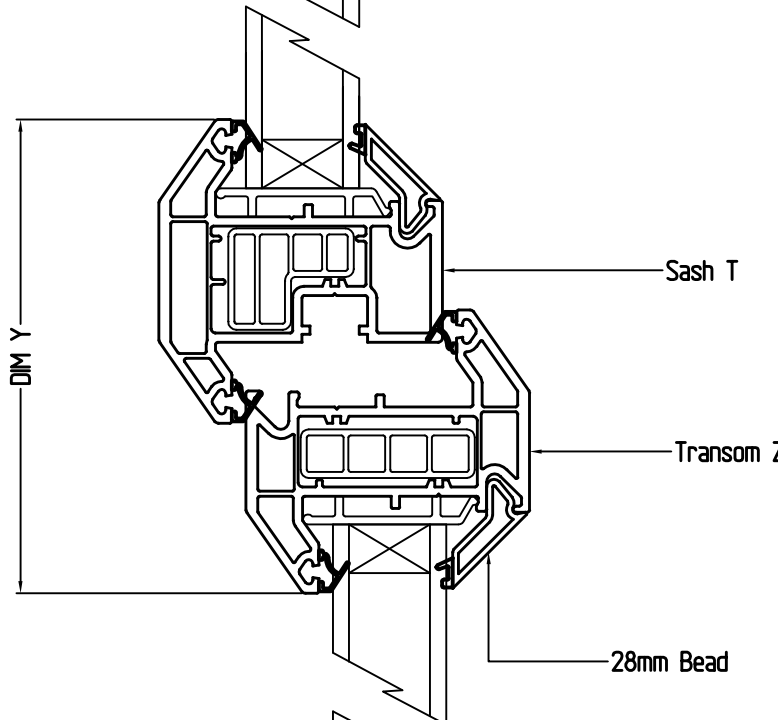
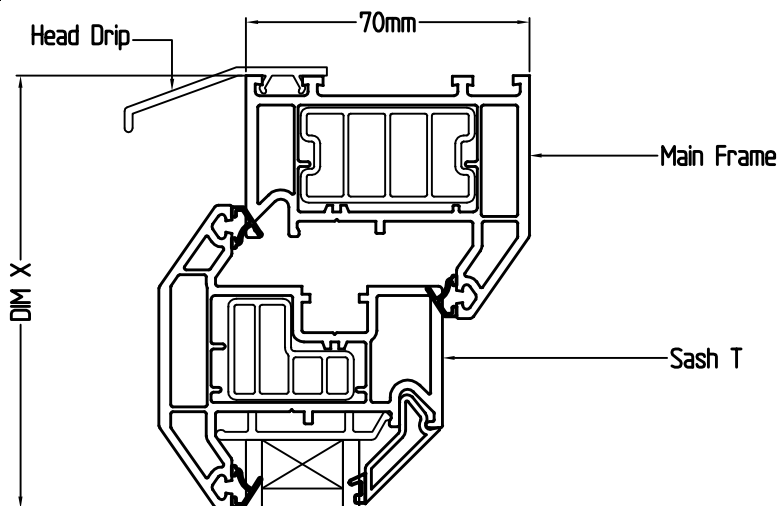
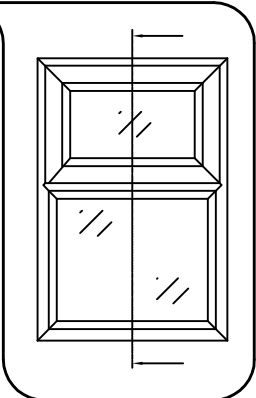
DIMENSION 'Z'

FRAME	DIMENSION	DIM Z
Thermalogik Frame (EWS 7001)		50mm
Intermediate Main Frame (EWS 7021)		60mm
Large Main Frame (EWS 7006)		75mm



All together better

Outward Opening / Inward Glazed - Vertical Section



DIMENSION 'X'

FRAME	DIM X
Thermalogik Frame (EWS 7001) with Sash T (EWS 7005)	97mm
Main Frame (EWS 7021) with Sash T (EWS 7005)	107mm
Large Main Frame (EWS 7006) with Sash T (EWS 7005)	122mm

DIMENSION 'Y'

FRAME	DIM Y
Sash T (EWS 7005) with Transom Z (EWS 7003)	117mm
Sash T (EWS 7005) with Intermediate Transom Z (EWS 7023)	132mm

DIMENSION 'Z'

FRAME	DIM Z
Thermalogik Frame (EWS 7001)	50mm
Intermediate Main Frame (EWS 7021)	60mm
Large Main Frame (EWS 7006)	75mm

Tilt and Turn - Vertical Section

DIMENSION 'X'

FRAME \ DIMENSION	DIM X
Small Main Frame (EWS 7001) with Tilt & Turn Sash (EWS 7007)	97mm
Main Frame (EWS 7021) with Tilt & Turn Sash (EWS 7007)	107mm
Large Main Frame (EWS 7006) with Tilt & Turn Sash (EWS 7007)	122mm

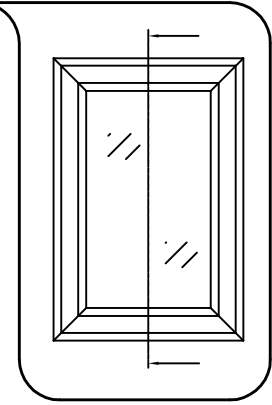
DIMENSION 'Y'

FRAME \ DIMENSION	DIM Y
Small Main Frame (EWS 7001) with Tilt & Turn Sash (EWS 7007) with all 'A' Type Cills	127mm
Main Frame (EWS 7021) with Tilt & Turn Sash (EWS 7007) with all 'A' Type Cills	137mm
Large Main Frame (EWS 7006) with Tilt & Turn Sash (EWS 7007) with all 'A' Type Cills	152mm

Head Drip

70mm

DIM X



Main Frame

Tilt & Turn Sash

28mm Bead

Drip Bar

Tilt & Turn Sash

Angled Leading Edge & Capillary Groove

Main Frame

AC150

DIM Y

Cill Reinforcing UNS5821P

