

Pivot Window / Internally Viewed

Name: HORNSBY
 Job No: 22354
 Sheet: 2 of 2

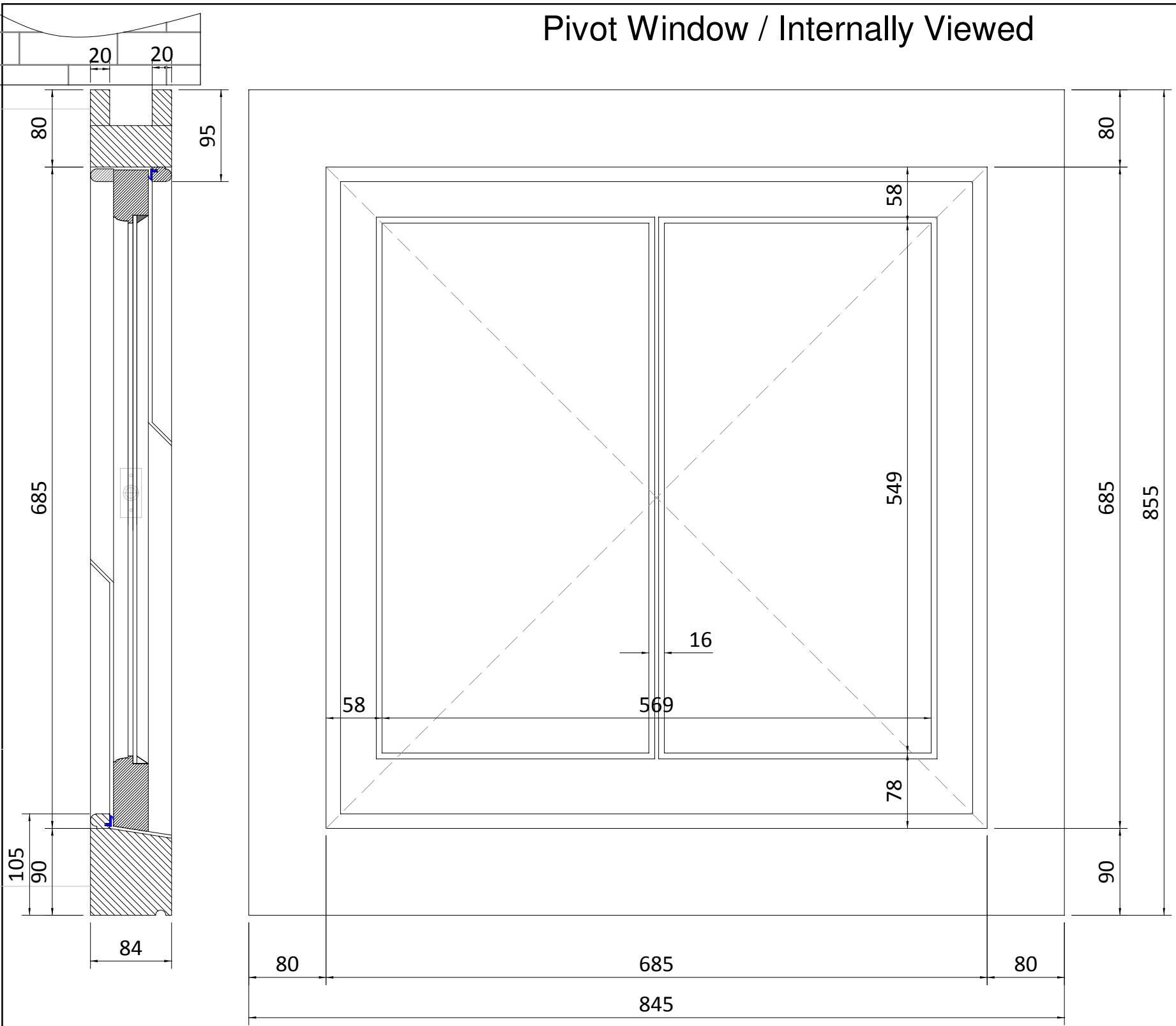
Drawn by: M Gerec
 Scale: 1: 5 at a3
 Issue No: 01
 Date: 24/2/2015

Material: ACCOYA
 Hardwood

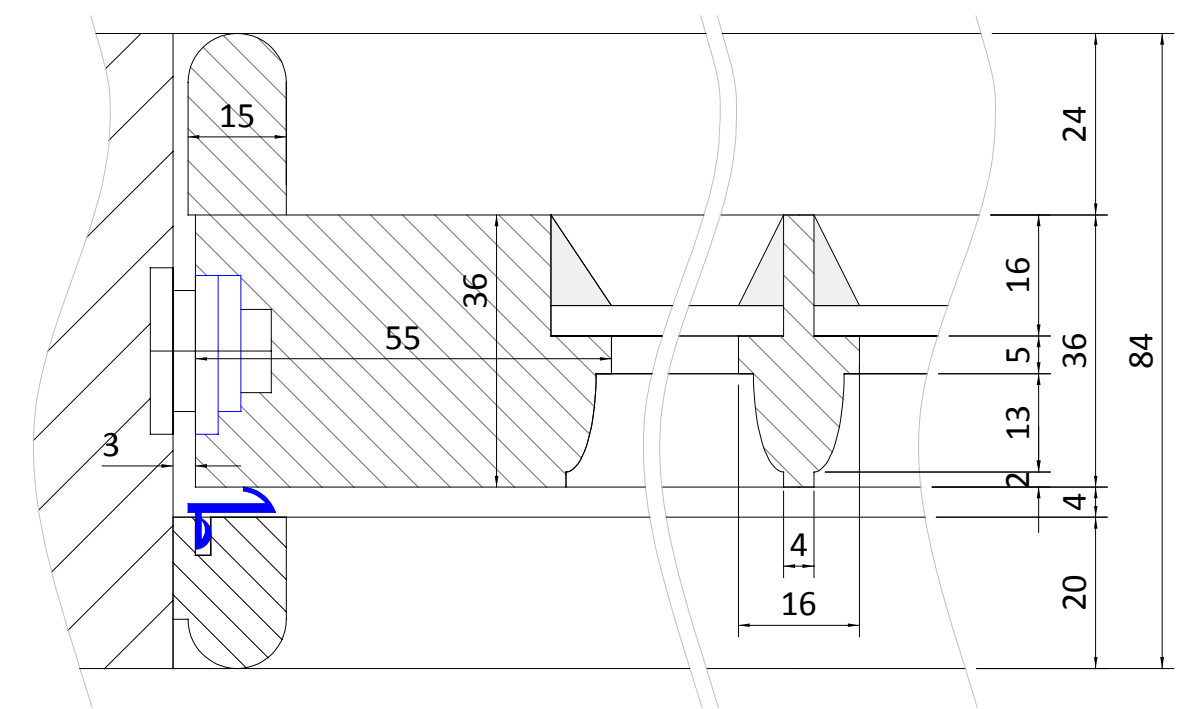
Finish:
 Int: white
 Ext: white
 Cill: white

Glass: 4mm Clear Float

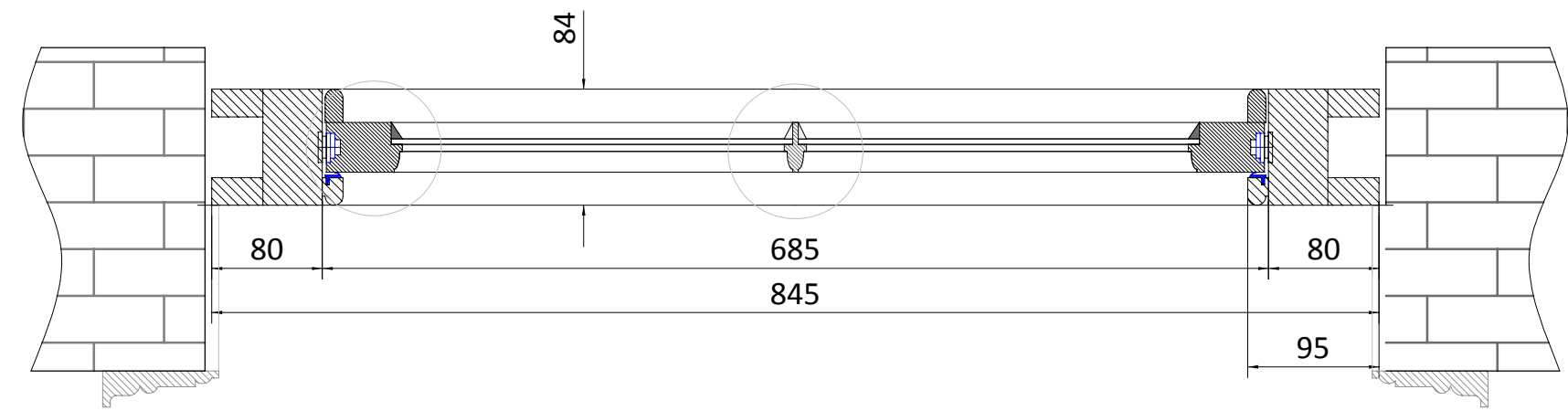
Notes:



Frame Section & Glazing Bar Detail
 Scale 1 : 1 on A3



NB: Externally installed window with no external architraves to replicate existing period window



The Sash Window Workshop Ltd
 4 Kiln lane,
 Bracknell,
 Berkshire RG12 1NA
 tel: +44 (0)1344 868668
 fax: +44 (0)1344 868858
 email: gerecm@sashwindow.com

Item 1

1st Fl Rear
 Stairs Window