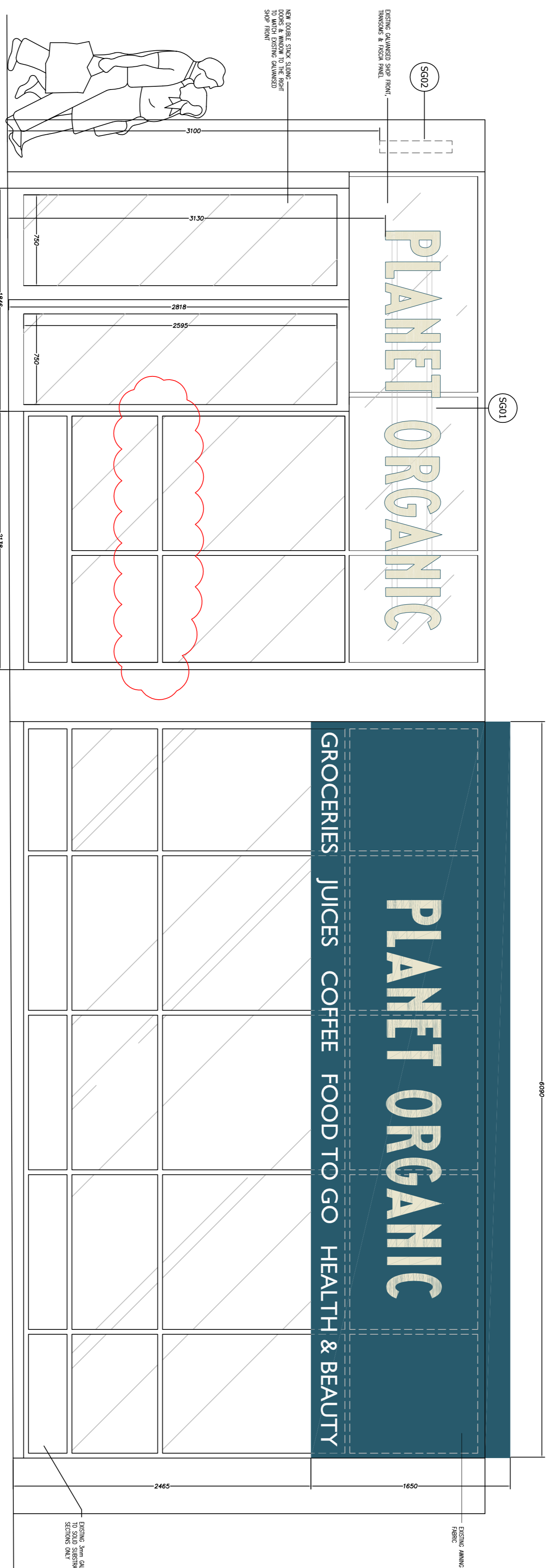
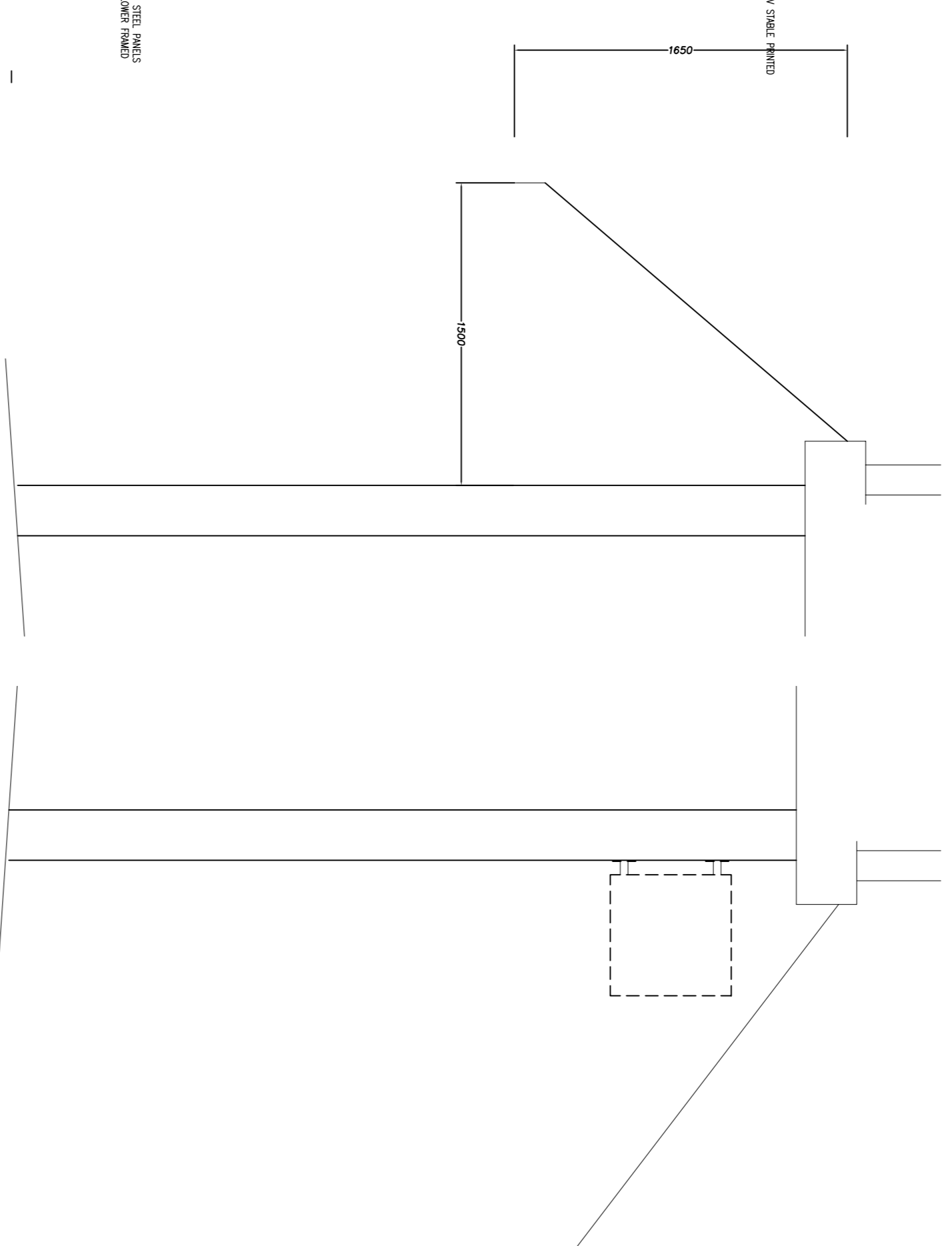


Shopfront Plan As Proposed | Scale 1:25@A1

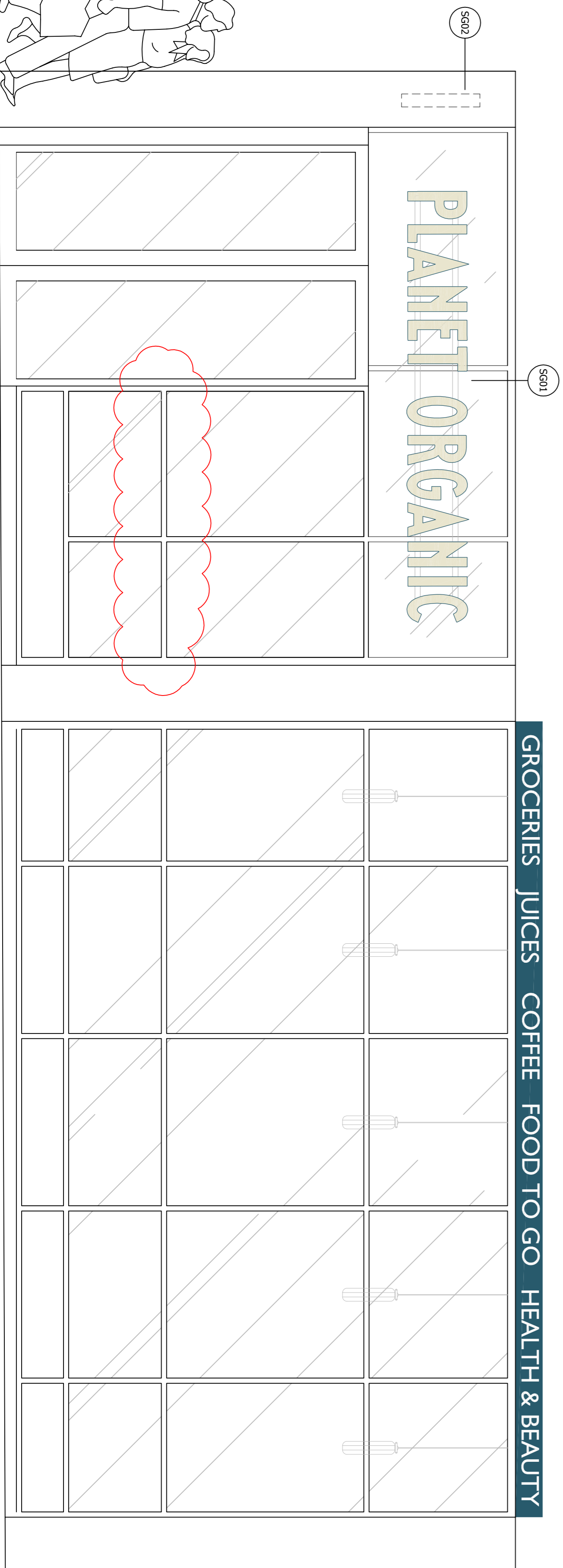


Shopfront Elevation As Proposed [Awning Extended] | Scale 1:25@A1

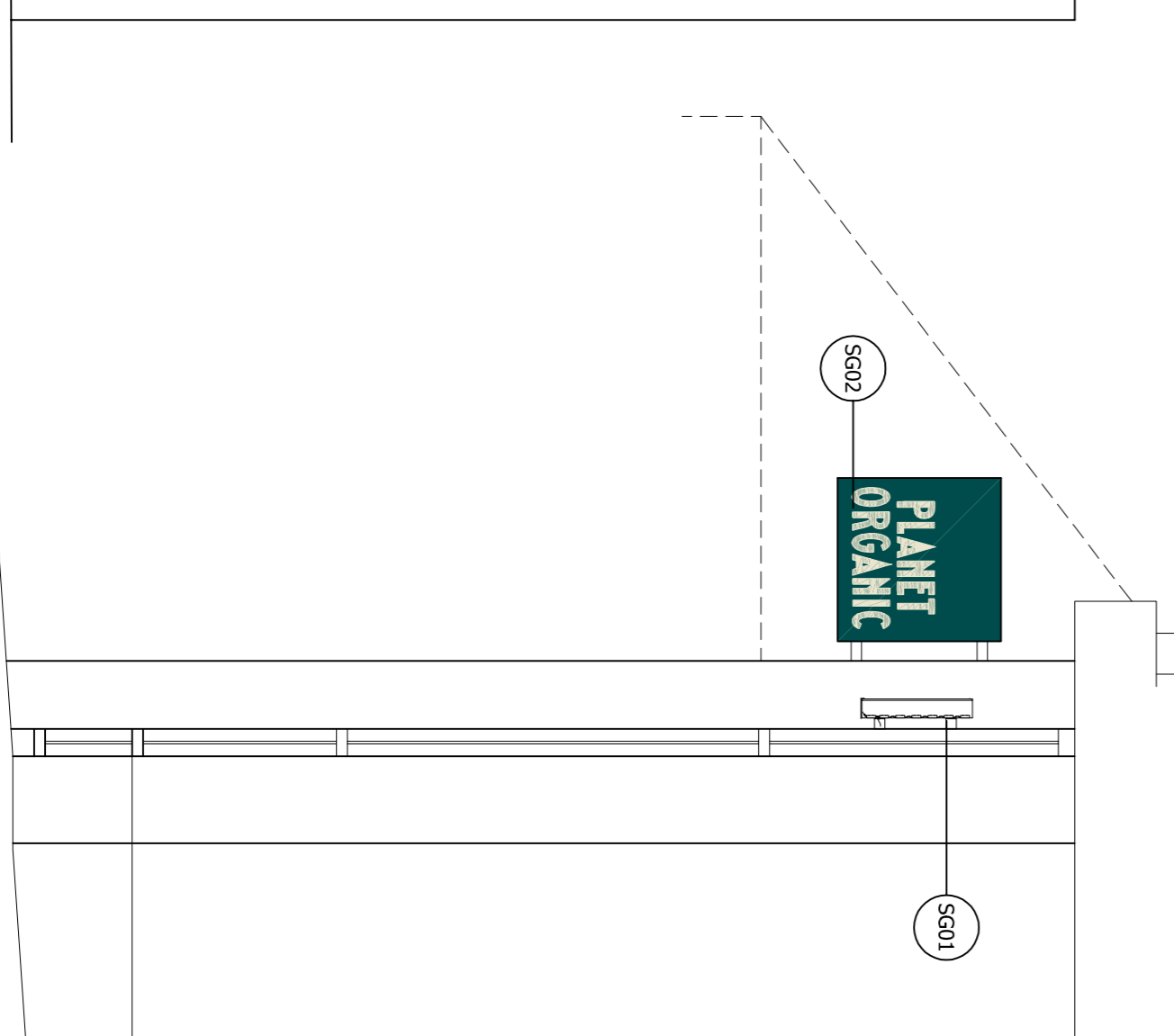


RHS Elevation
Scale 1:25@A1

LHS Elevation
Scale 1:25@A1



Shopfront Elevation As Proposed [Awning Retracted] | Scale 1:25@A1



Shopfront Section
Scale 1:25@A1

A 240315 WINDOWS AMENDED	
REV	DATE
DETAILS	
PROJECT PLANET ORGANIC TORRINGTON PLACE	
DRAWING TITLE SHOP FRONT AS PROPOSED	
DRAWN BY	DATE
SM	MAR 15
REVISION	
6061-11	
SCALE	PAPER SIZE
1:25@A1	A1

designitme
 TEL: 044 00845 023 0025
 5/5 CALS LANE
 LINDSAY NSW