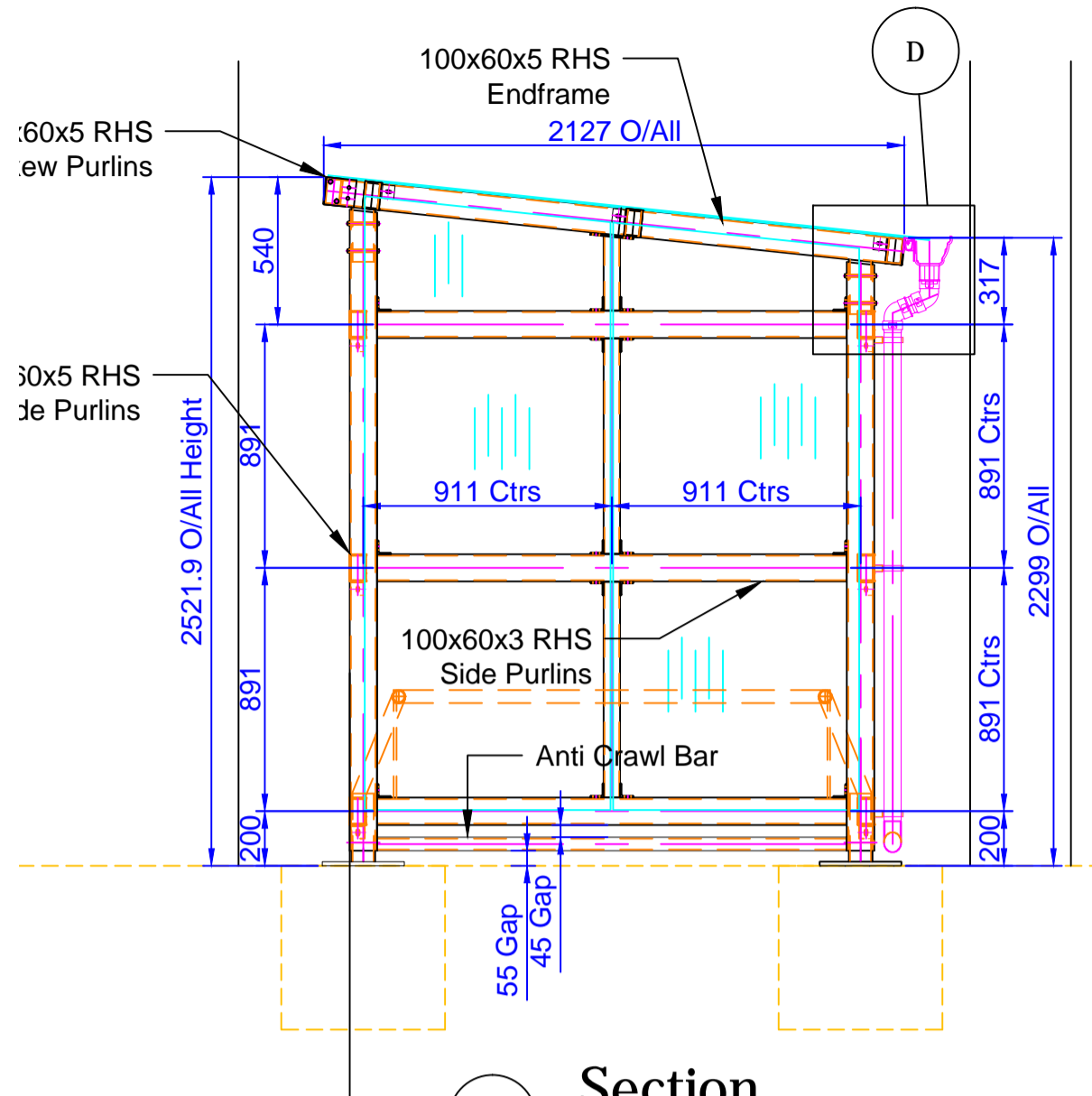
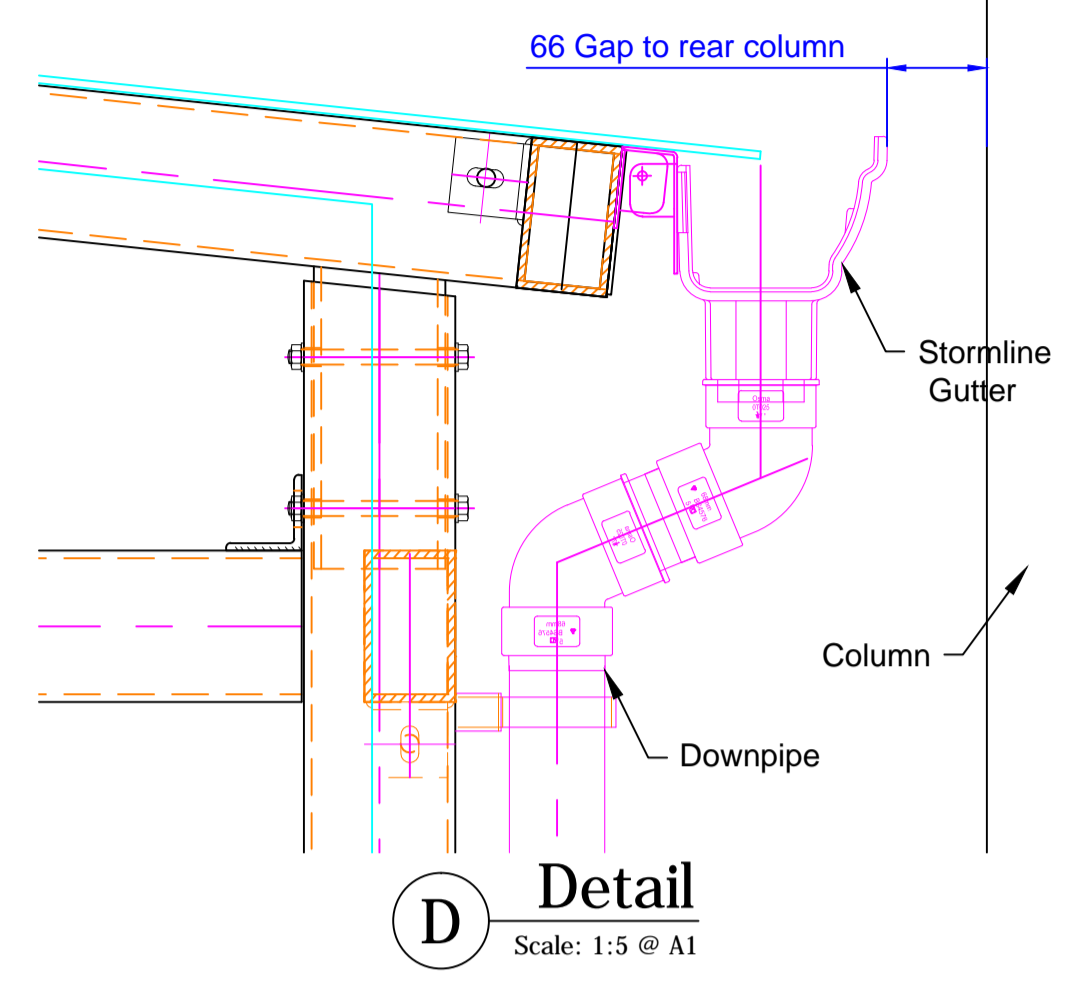


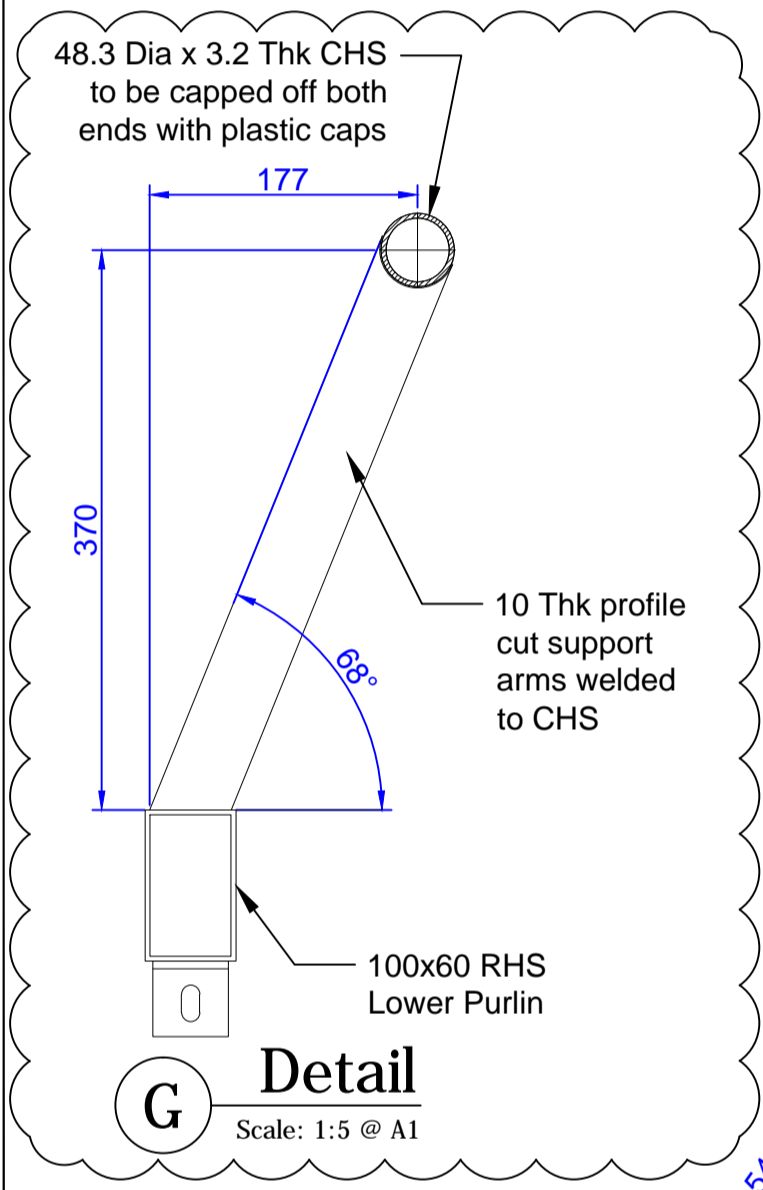
**A View**  
Scale: 1:25 @ A1



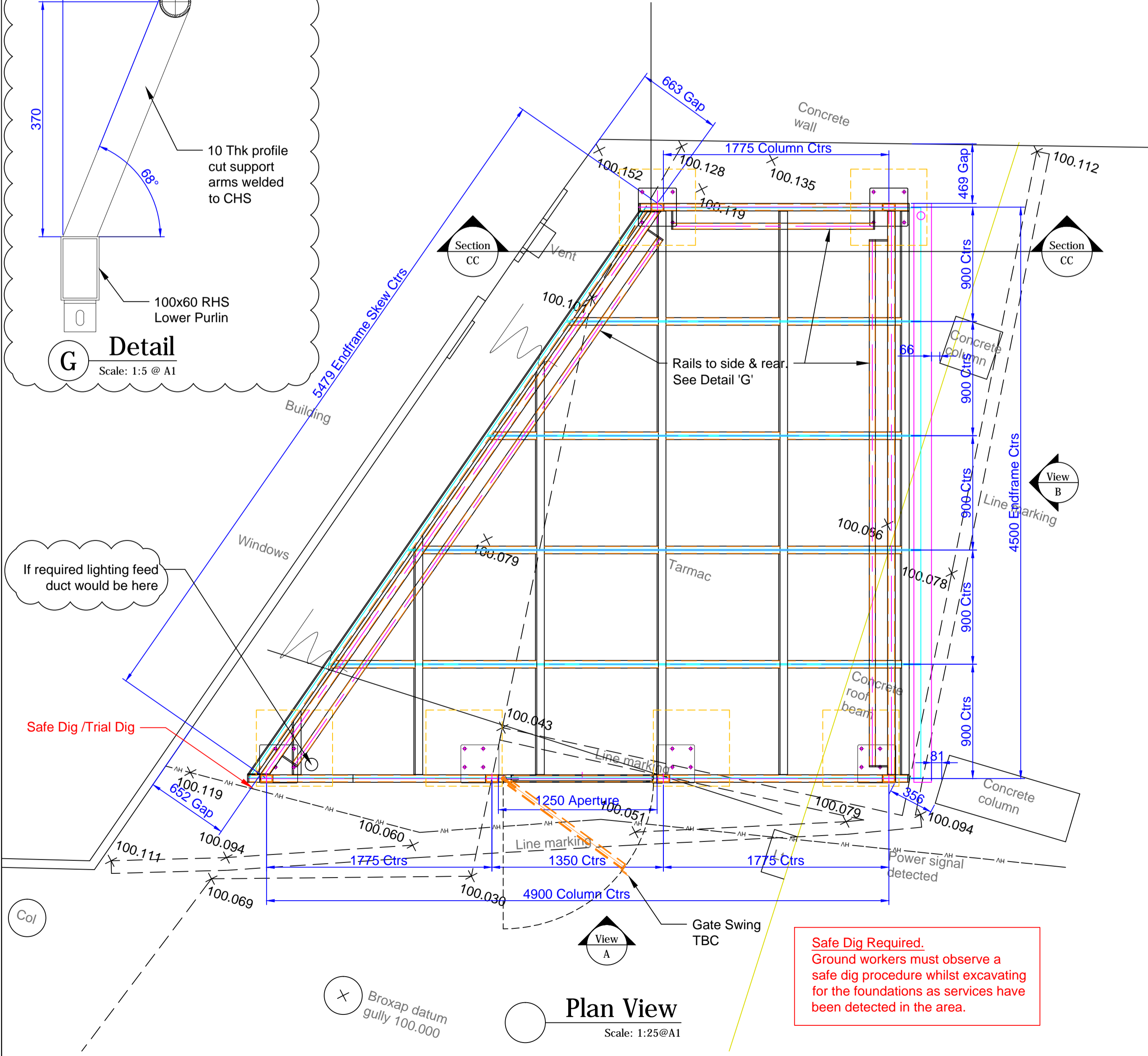
**CC Section**  
Scale: 1:25 @ A1



**D Detail**  
Scale: 1:5 @ A1

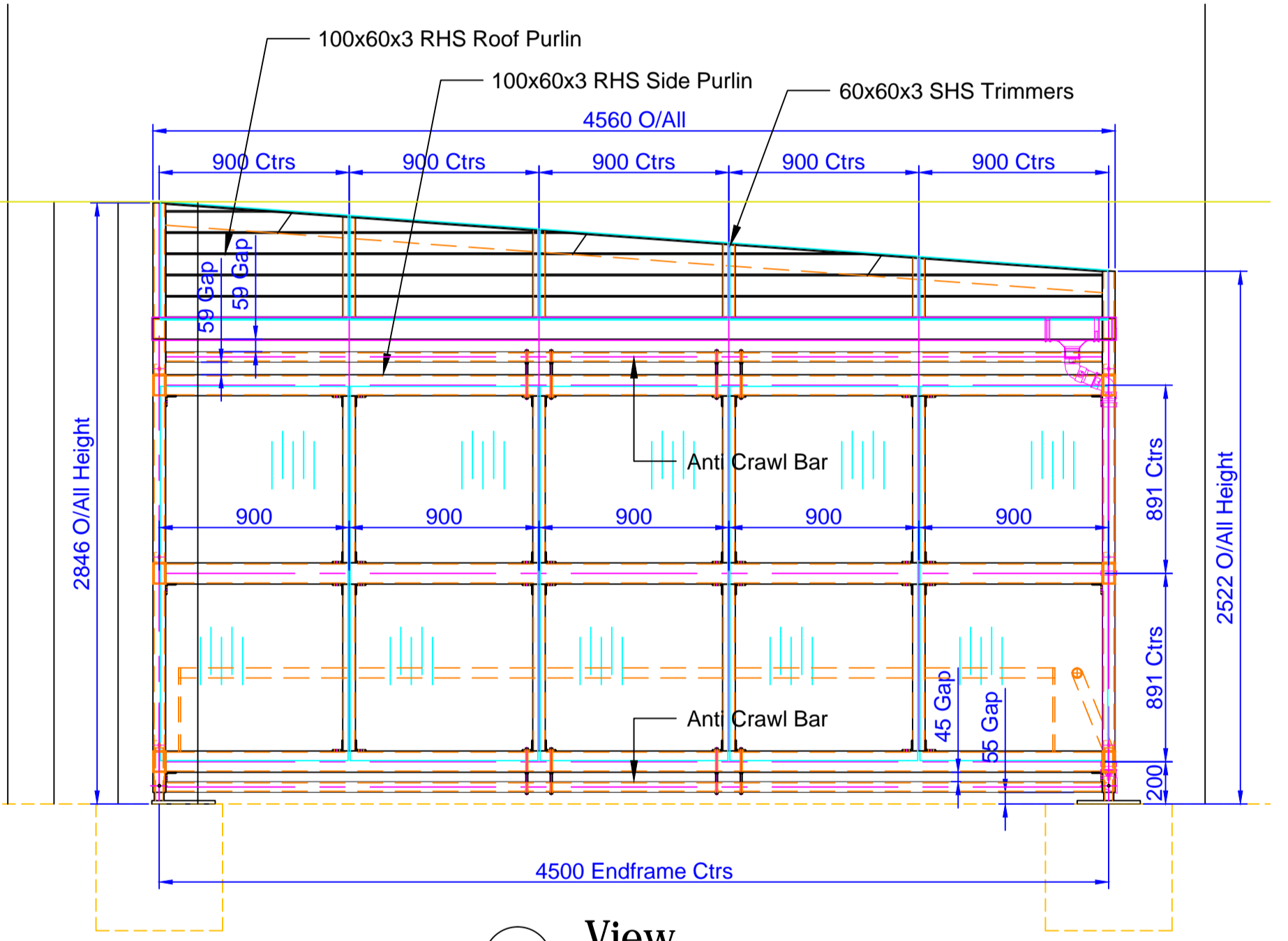


**G Detail**  
Scale: 1:5 @ A1

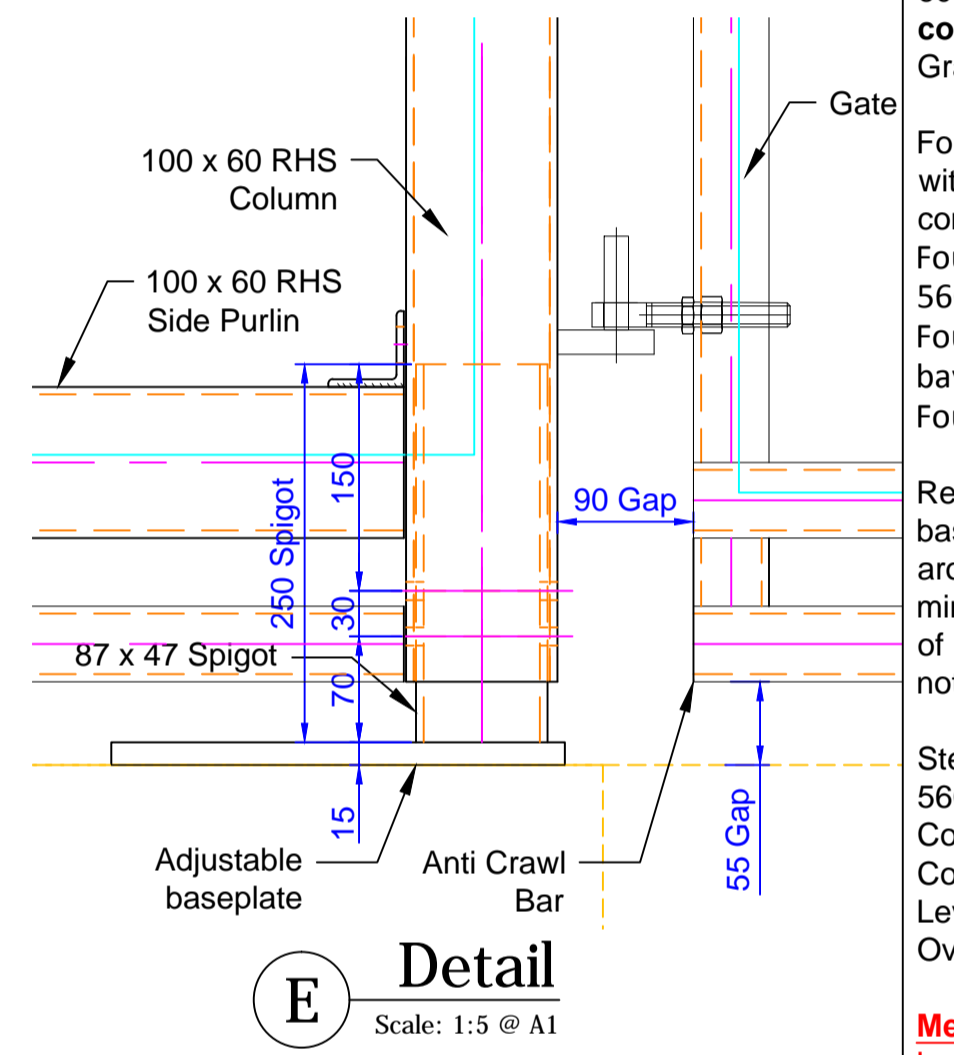


**Plan View**  
Scale: 1:25 @ A1

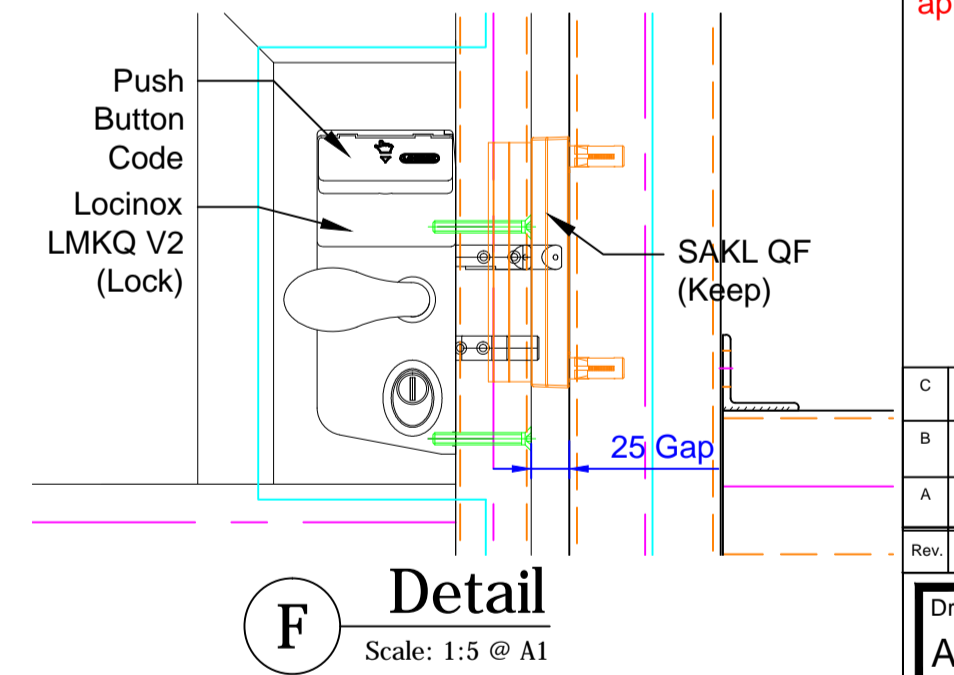
**Safe Dig Required.**  
Ground workers must observe a safe dig procedure whilst excavating for the foundations as services have been detected in the area.



**B View**  
Scale: 1:25 @ A1

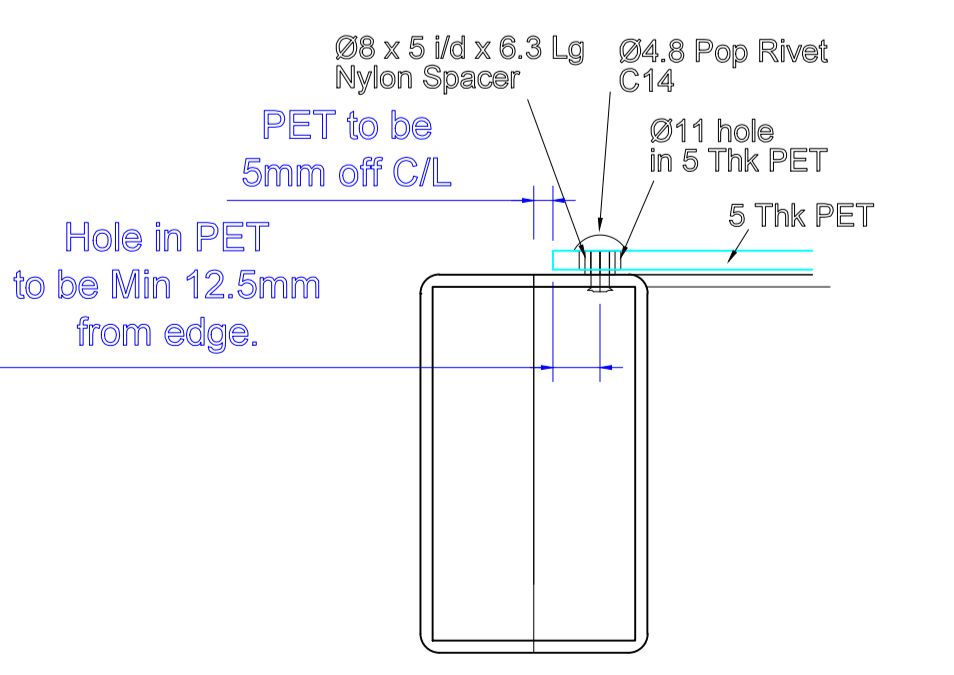


**E Detail**  
Scale: 1:5 @ A1

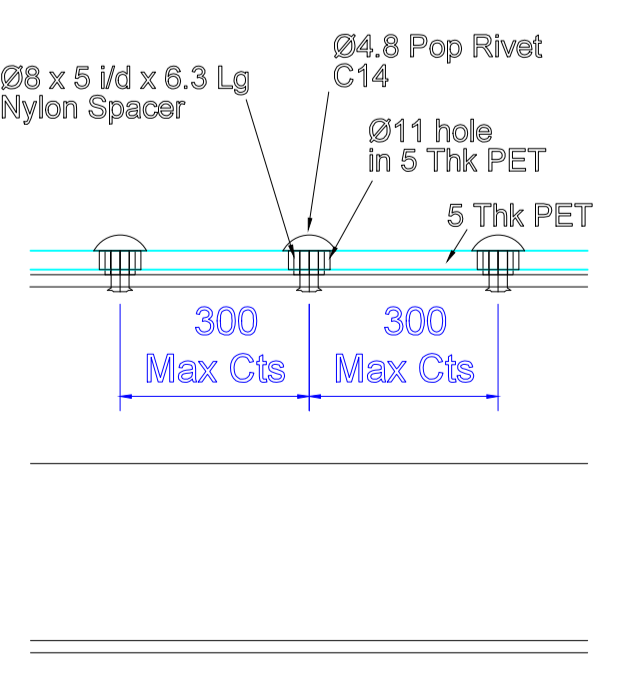


**F Detail**  
Scale: 1:5 @ A1

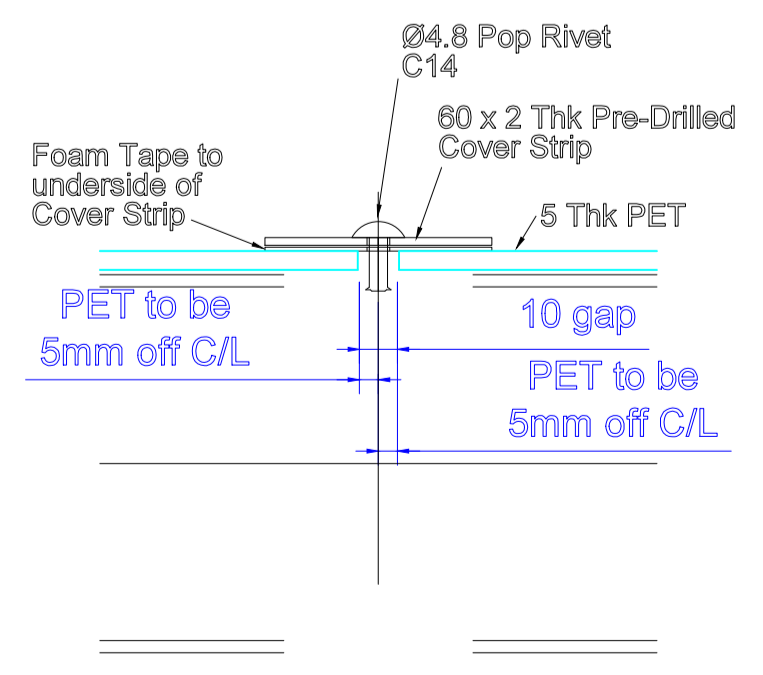
NOTE: AFTER DRILLING THROUGH STEEL FOR RIVET HOLE ON SITE INSTALLER IS TO ENSURE THAT ALL SWarf IS REMOVED PRIOR TO FIXING DOWN P.E.T.



**Section Showing Typical PETg UV Side Fixing Detail**  
N.T.S



**Detail Showing Back & Front Fixing**  
N.T.S



**Section Showing Typical Jointing Detail**

**General Notes:**  
All dimensions are to be checked on site with allowances for variations due to normal manufacturing tolerance.  
Drawing errors or omissions are to be reported and checked with the Design Office.  
Where items are drawn as assemblies these items must be trial assembled in workshop by manufacturer to ensure correct fit.  
None of the work content shown in this drawing for any company may proceed until approved copies are distributed and clearly marked 'ISSUED FOR CONSTRUCTION'.  
This drawing is copyright and no portion should be copied or reproduced without the consent of Broxap Limited.

**Project Specific Notes:**  
All steelwork to be galvanised to BS EN ISO 1461:2009 and Powder coated RAL5015 'Mid Blue'.  
Cladding: 5mm PETg UV - Colour Clear, Side Cladding 5mm PETg UV - Clear.  
Guttering: UPVC - Colour Black.

**Foundations:**  
600x600x600mm Deep - To be confirmed by structural engineer. Grade C20 Concrete.  
Foundations to be installed to BS 8110 with a minimum of grade C20 concrete.  
Foundations to be installed to BS 5606:1990. Foundation Position +/- 25mm per bay. Foundation Level +/- 10mm.  
Recommended foundation sizes are based on the ground below and around the foundations being a minimum permissible bearing pressure of 100kN/m2 (eg firm clay, fill material not acceptable).

Steelwork to be installed to BS 5606:1990. Columns position +/- 10mm per bay. Column Verticality +/- 5mm. Level at Eave +/- 6mm. Overall length +/- 5mm.

**Mechanical Lock Note:**  
Inclusion of mechanical lock subject to approval of costs.

| Rev | Description  | Drawn | Checked | Date     |
|-----|--|-------|---------|----------|
| C   |  |       |         |          |
| B   | Added additional security rail & detail. Added lighting duct note. | PRJ   | PPR     | 02.03.15 |
| A   | Issued for approval.   | PRJ   | PPR     | 26.02.15 |

Drawing Status: **Approval Issue**



Client: London Borough Of Camden  
Project: 1A Childrens Centre  
1A Rosebery Avenue  
London, EC1R 4SR

Drawing Title: **Bespoke Newcastle Senior Mono Pitch Buggy Shelter**

Drawn: P.Richards Checked: [Signature]

Date: 25.02.15 Scale: 1:25 @ A1

Drawing No: 007091-1.00 Rev. No: B  
Broxap Order No: ORD00164824