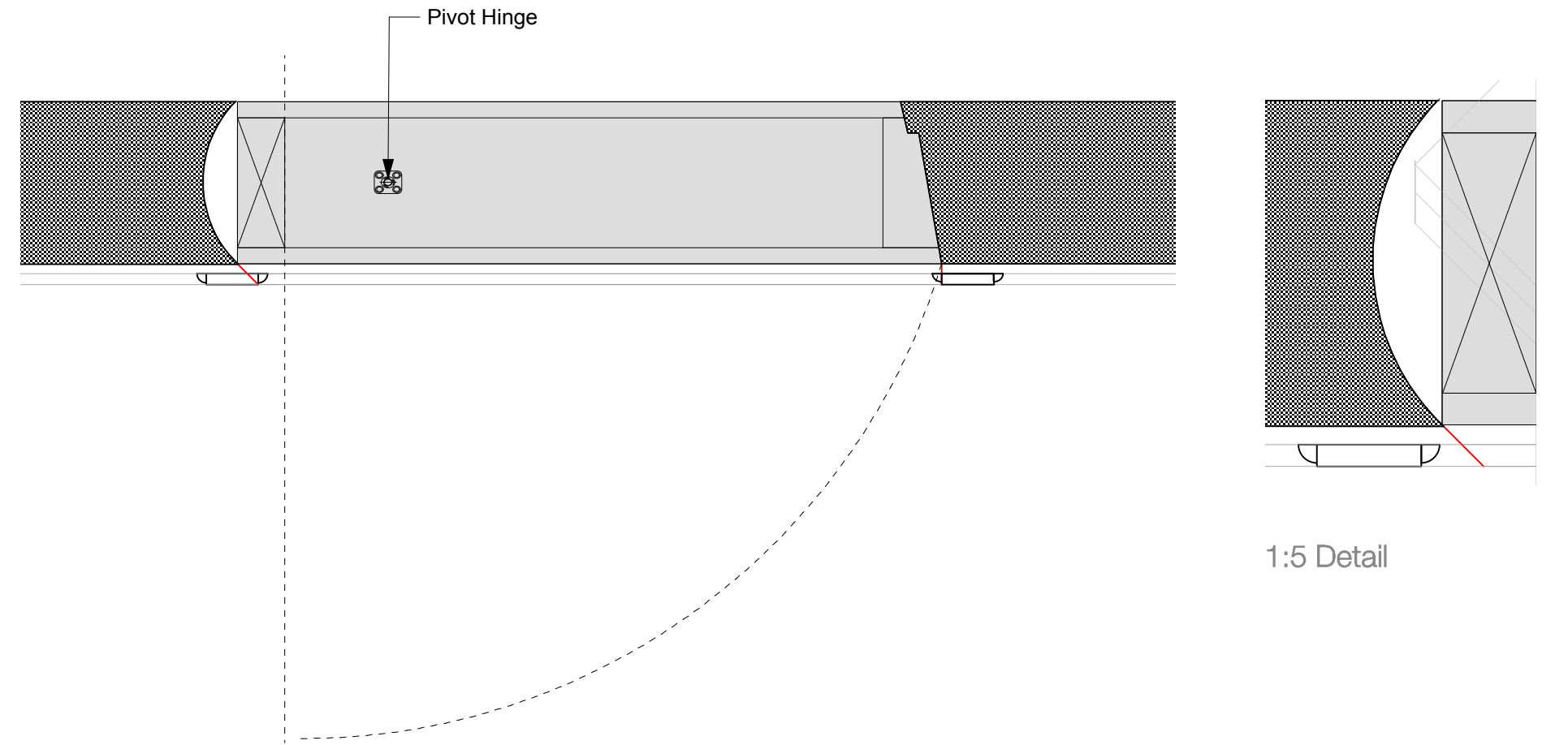


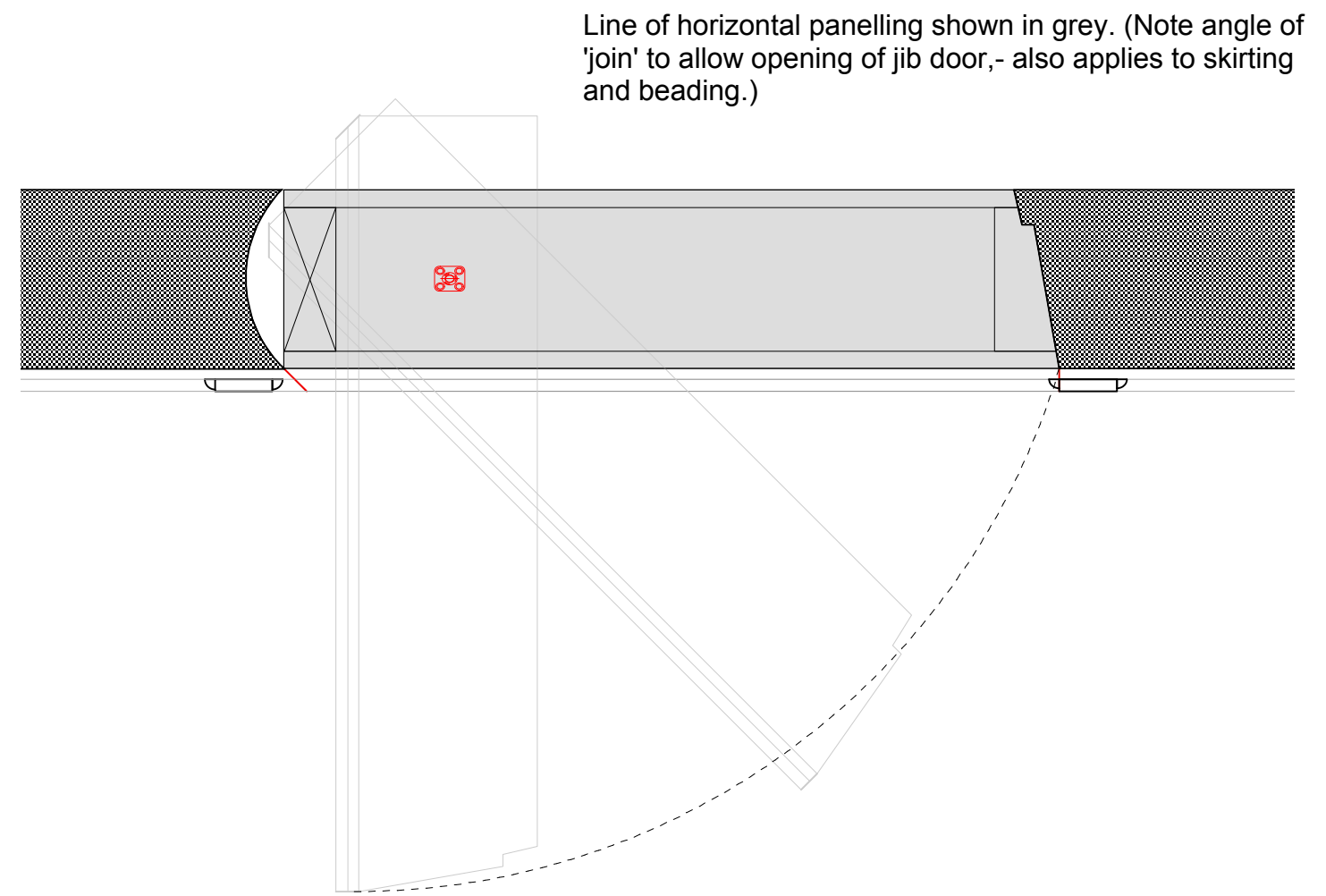


Wherever possible, jib door is to align with the existing panelling. The 45 degree joint through the panelling will minimise visibility of the door.

PROPOSED JIB DOOR - ELEVATION
(between proposed bedroom 02 and bathroom)



PROPOSED JIB DOOR - PLAN 1:10



PROPOSED JIB DOOR - PLAN 1:10



Charlton
Brown
Architects

Capo di Monte, Windmill Hill
Jib Door - Detail

1249/SK 16

The Belvedere 2 Back Lane Hampstead London NW3 1HL
T 020 7794 1234 E office@charltonbrown.com

Scale 1: 10 @ A2
This drawing is copyright