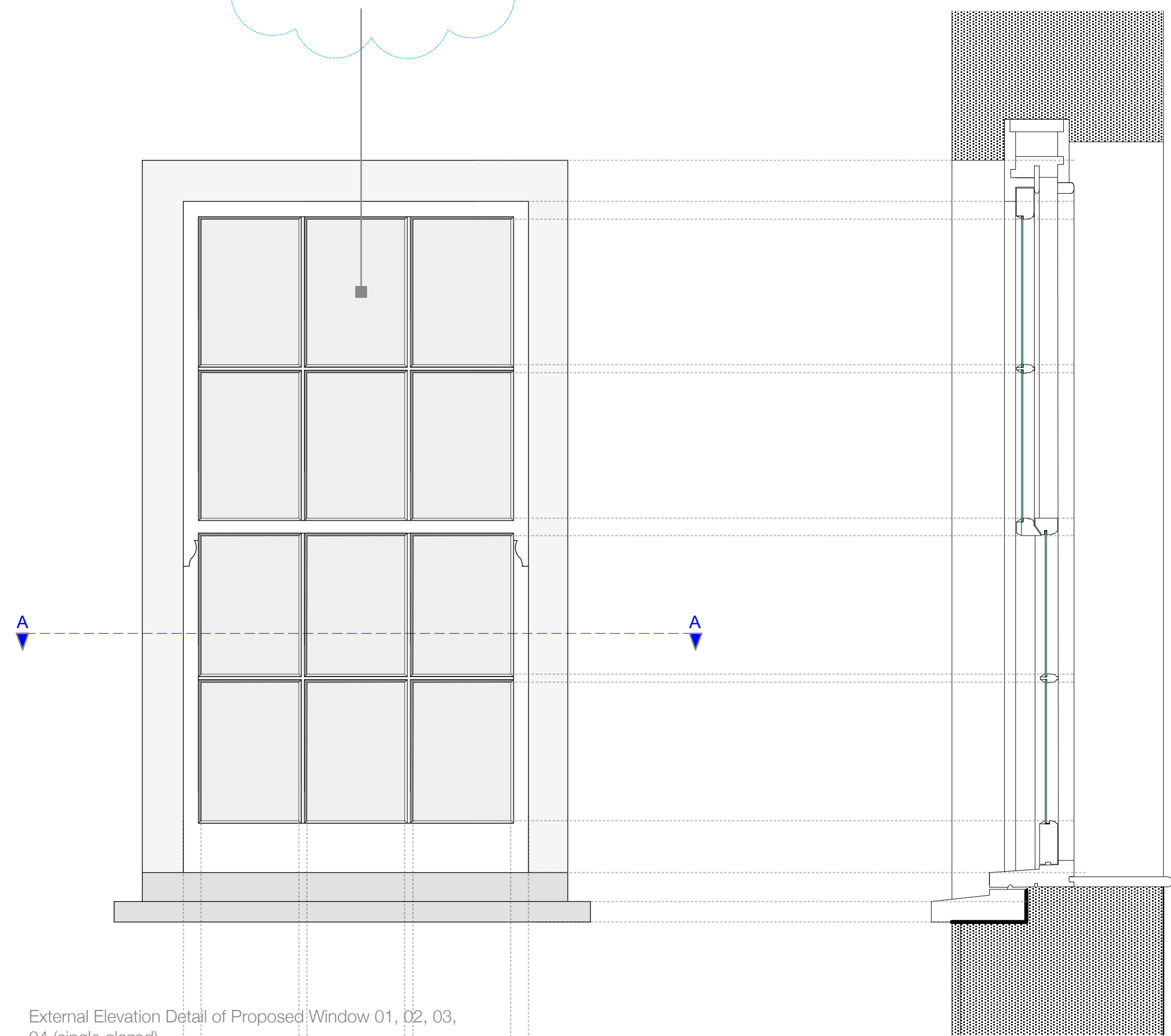
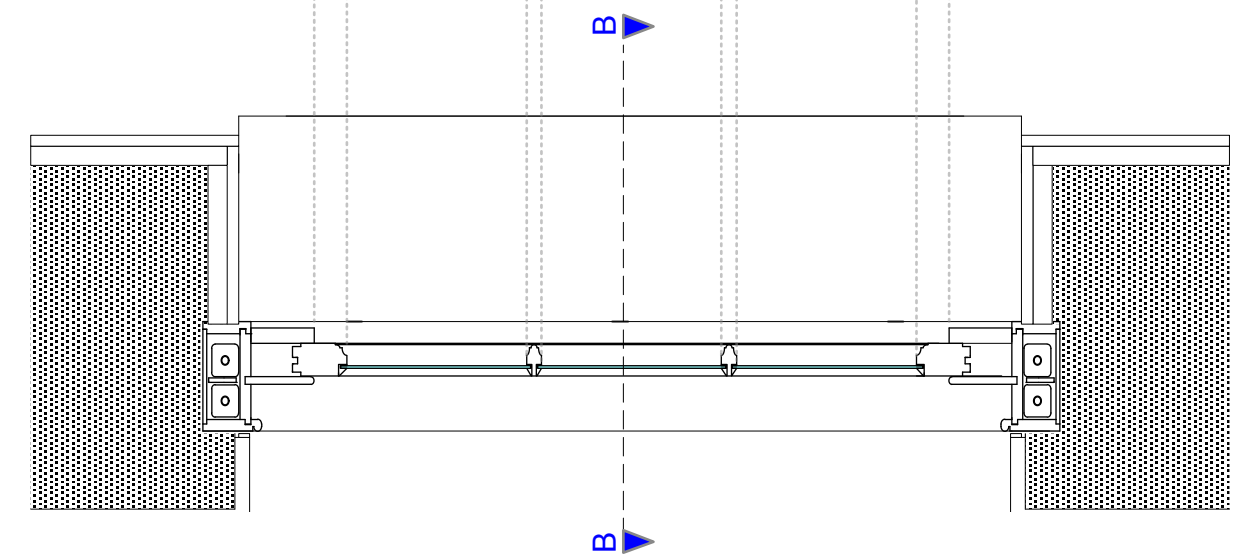


REV A
single glazed glass panes

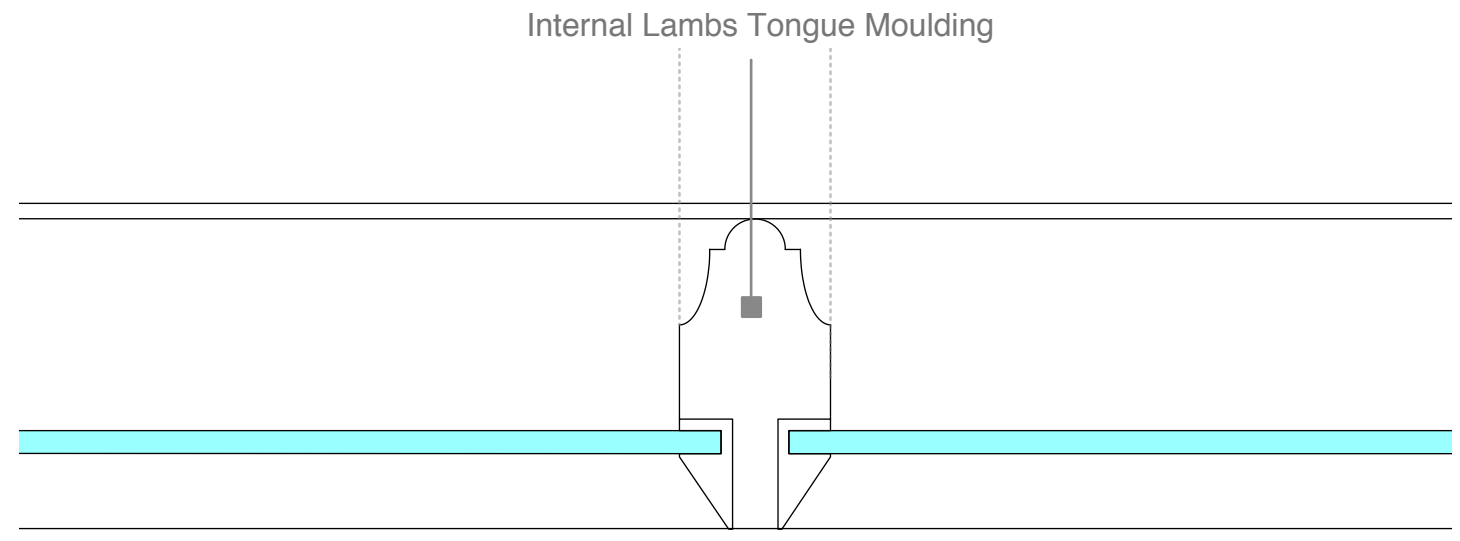


External Elevation Detail of Proposed Window 01, 02, 03, 04 (single glazed)
1: 20

Detail Section B-B through Proposed Windows 01, 02, 03, 04 (single glazed)
1: 20



Plan Detail A-A of a Proposed Window 01, 02, 03, 04 (single glazed)
1: 20



Detail of single glazing & Lambs Tongue Moulding
1: 1



Charlton
Brown
Architects

Single glazed windows to listed building [23/01/15] SI | A

Capo di Monte, Windmill Hill
New Windows - Details

1249/SK 13 A

The Belvedere 2 Back Lane Hampstead London NW3 1HL
T 020 7794 1234 E office@charltonbrown.com

Scale 1: 10 @ A2
This drawing is copyright