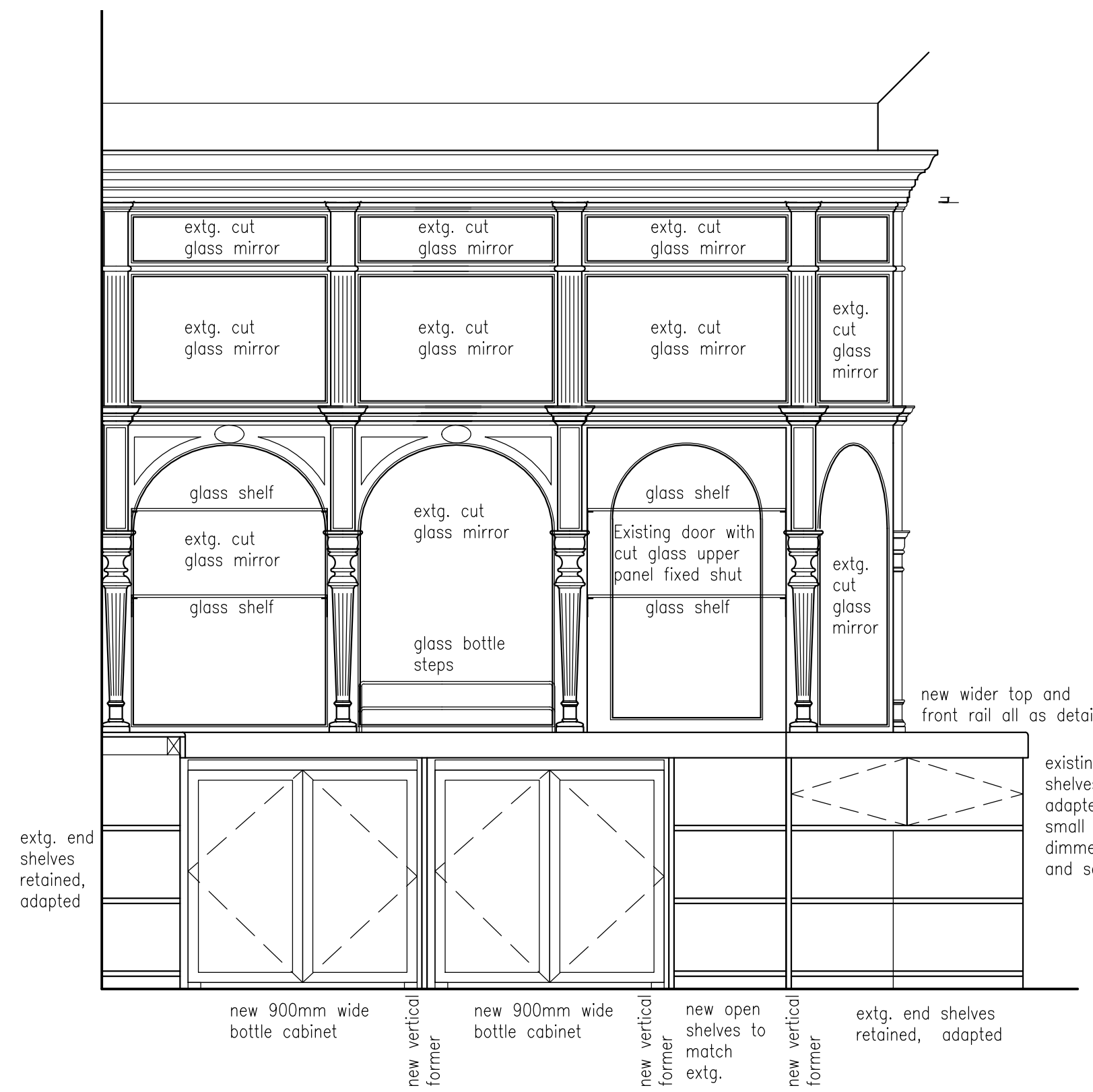


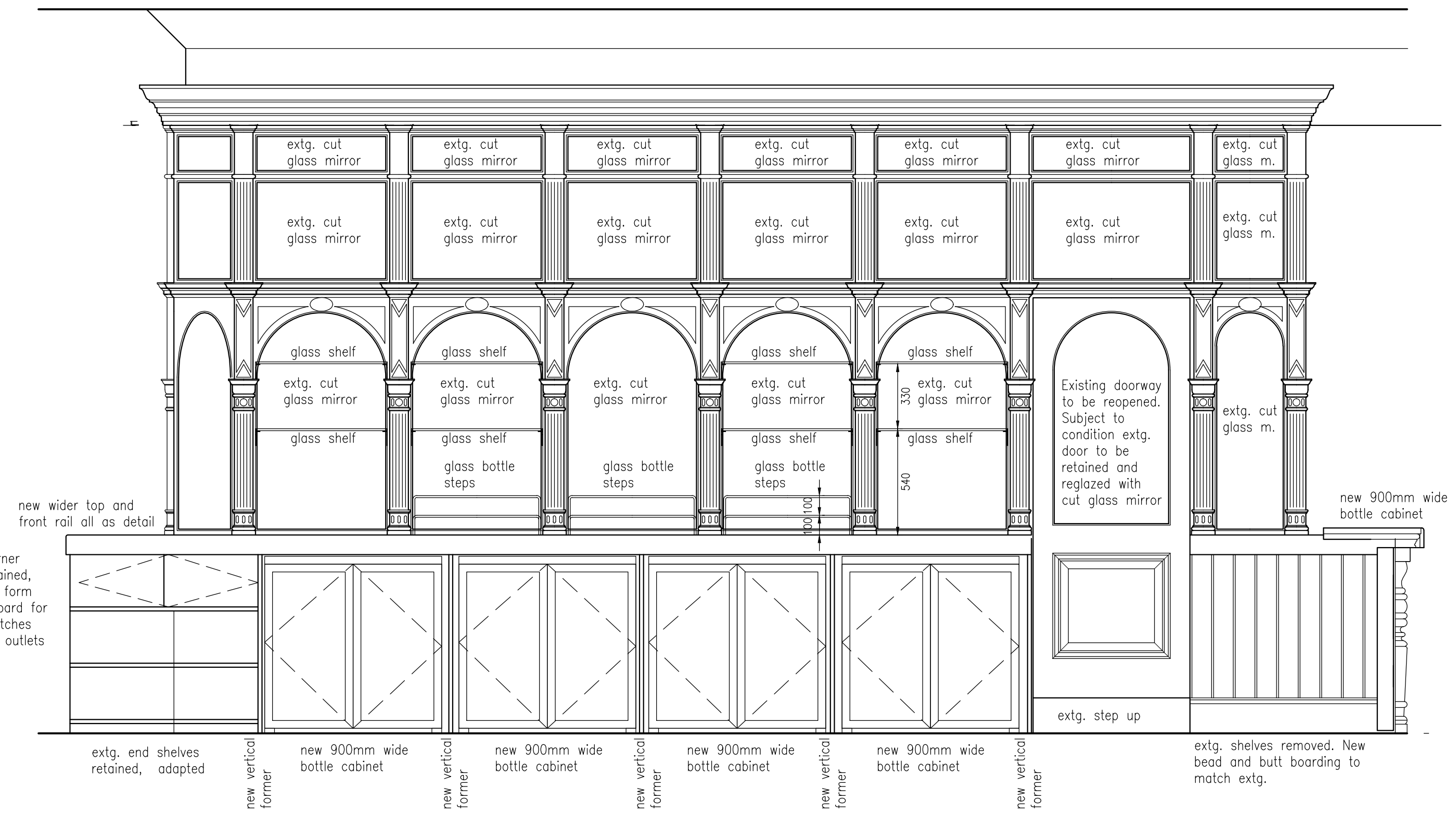
Contractors are to check all levels and dimensions before work is put in hand, and any discrepancies are to be referred to the architects

REV	DATE	DESCRIPTION	DWN	CHKD
-----	------	-------------	-----	------

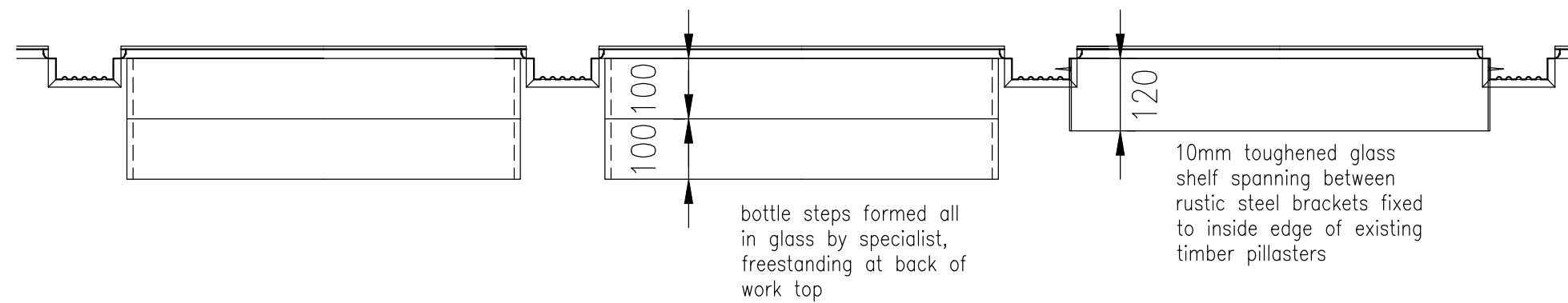
A 20.10.14 Finish to new metalwork clarified.
 B 13.01.15 Additional glass shelves, LED strip lights added KJB



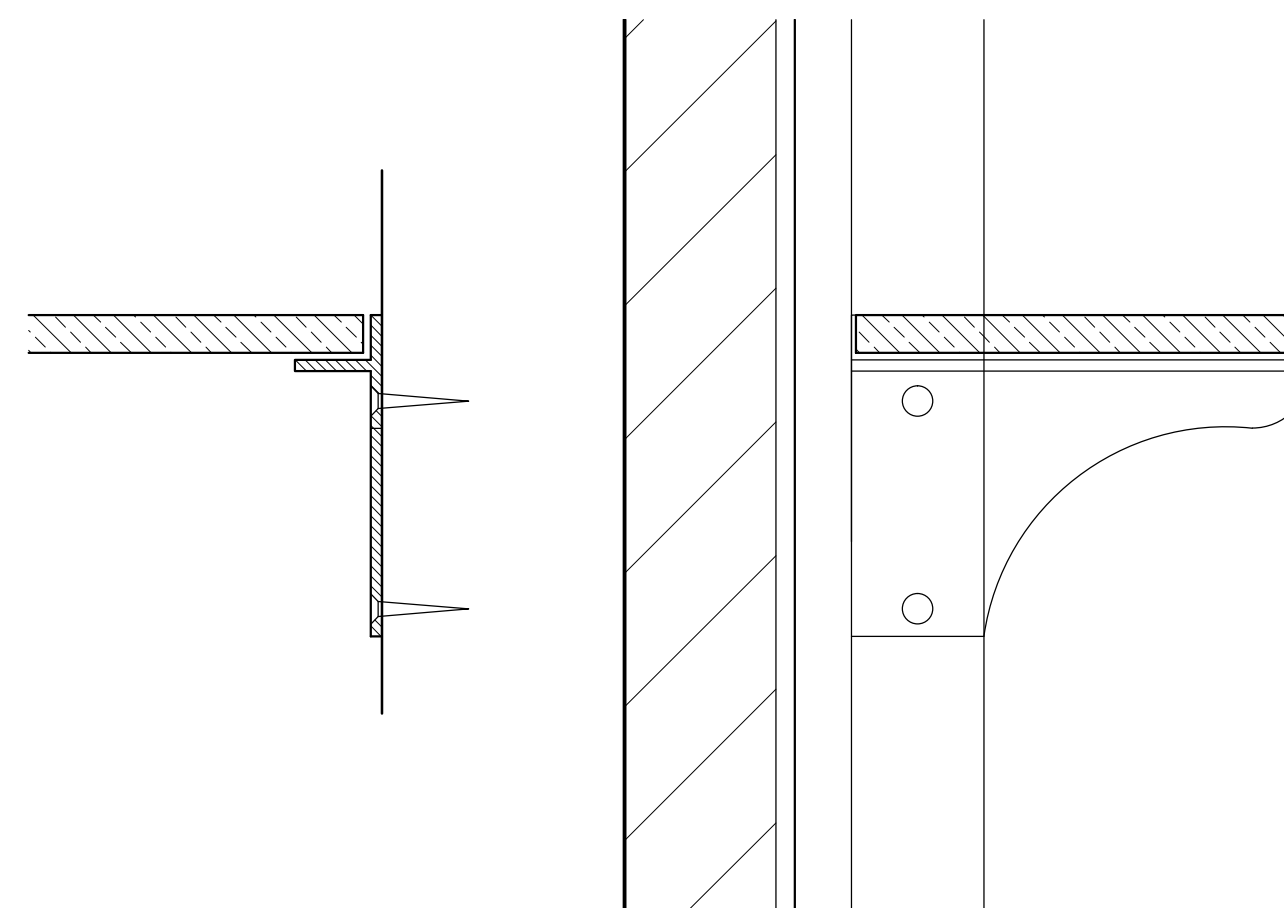
BACK-FITTING RETURN SIDE ELEVATION 1:20



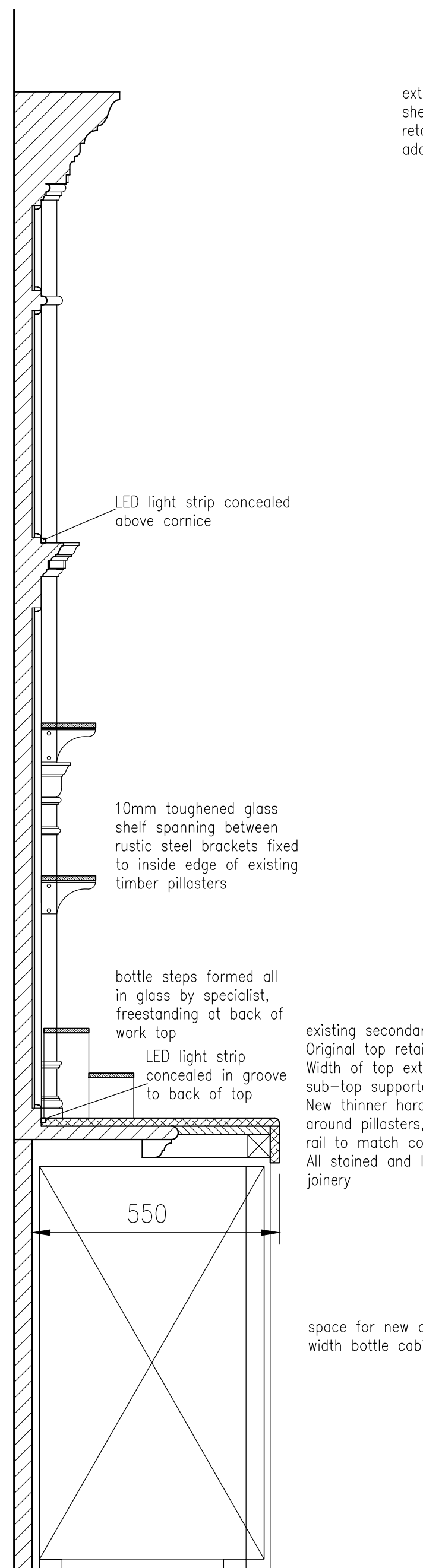
BACK-FITTING FRONT ELEVATION 1:20



PLAN GLASS SHELVES 1:10



DETAIL GLASS SHELF BRACKET 1:2



BACK-FITTING SECTION 1:10

LAP
 Architects + Interior Designers Limited
 GREAT BURSTEAD SCHOOL HOUSE, 70 LAINDON ROAD,
 BILLERICAY, ESSEX CM12 9LD
 TEL: 01277 632306 FAX: 01277 632307 E-MAIL: admin@lap-architects.co.uk
 www.lap-architects.com

project
 The Bull and Gate
 389 Kentish Town Road
 London, NW5 2TJ

client
 Young & Co's Brewery PLC

drawing title
 Proposed Bar Servery Details
 sheet 2

drawing number 7747-424	revision A B
scale 1:20, 1:10 @ AI	checked
	drawn KJB
	date 19-08-2014