

FDEN100VF1

Ceiling Suspended - Indoor Unit

The FDEN100VF1 is a ceiling suspended PAC indoor unit with a nominal cooling capacity of 10.0 kW.

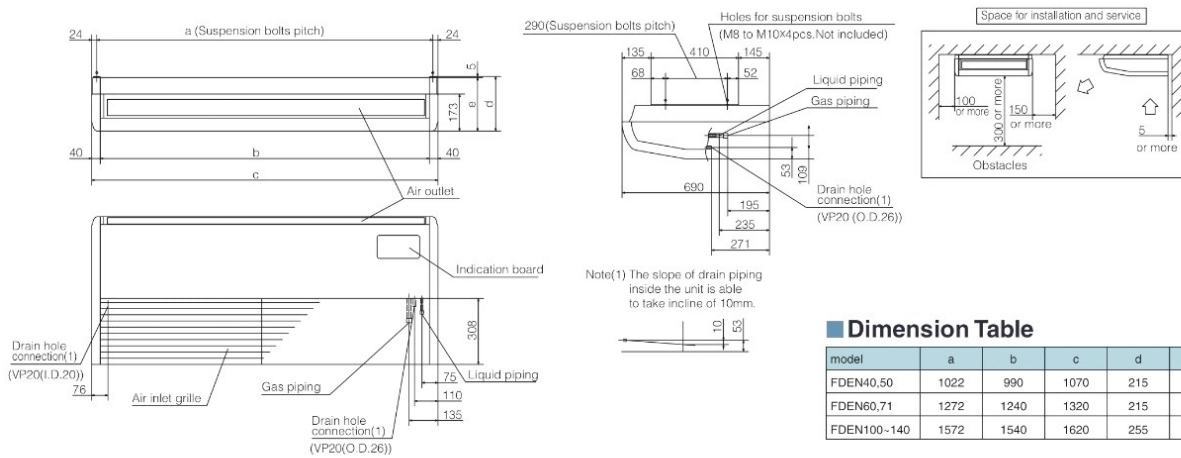


Technical Specifications

General Data

Nominal cooling capacity (min-max)	kW	10.0 (4.0 - 11.2)
Nominal heating capacity (min-max)	kW	11.2 (4.0 - 12.5)
Exterior Dimensions (H x W x D)	m m	250 x 1620 x 690
Net Weight	kg	49
Air Flow Cooling (Hi/Me/Lo)	m3/min	26 / 23 / 21
Air Flow Heating (Hi/Me/Lo)	m3/min	26 / 23 / 21
Sound Pressure Level Cooling (Hi/Me/Lo)	dB(A)	44 / 41 / 39
Sound Pressure Level Heating (Hi/Me/Lo)	dB(A)	44 / 41 / 39

Schematics



Dimension Table

model	a	b	c	d	e
FDEN40,50	1022	990	1070	215	210
FDEN60,71	1272	1240	1320	215	210
FDEN100-140	1572	1540	1620	255	250

FDC100VS
Ceiling Suspended - Outdoor Unit

The FDC100VS is a PAC outdoor unit with a nominal cooling capacity of 10.0 kW.



Technical Specifications

General Data

Nominal cooling capacity (min-max)	kW	10.0 (4.0 - 11.2)
Nominal heating capacity (min-max)	kW	11.2 (4.0 - 12.5)
EER (Energy Label)		3.51
COP (Energy Label)		3.77
Exterior Dimensions (H x W x D)	m m	845 x 970 x 370
Net Weight	kg	83
Sound Pressure Level (Cooling/Heating)	dB(A)	49 / 49
Energy class (cooling/heating)		A/A
SEER "Average climate"/(Energy label)		5.1
SCOP "Average climate"/(Energy label)		3.8

Electrical Data

Pdesignc	kW	10
Pdesignh (@-10°C)	kW	9.2
Annual electricity consumption (cooling/heating)	kWh/a	687 / 3390
Power Source		3 Phase 380-415V 50Hz, 3 Phase 380V 60Hz
Inrush current (220/230/240v)	A	5
Max. running current	A	15
Power consumption (cooling/heating)	kW	2.85 / 2.97

Installation

Refrigerant (GWP)		R410A (1975)
Designated heating season		Average
Ref. Piping Size (Liquid/Gas)	Ø mm	9.52 (3/8") / 15.88 (5/8")
Ref. Max Piping Length	m	Max. 50
Vertical Height differences / Outdoor is higher/lower	m	Max. 30 / Max. 15

Schematics

