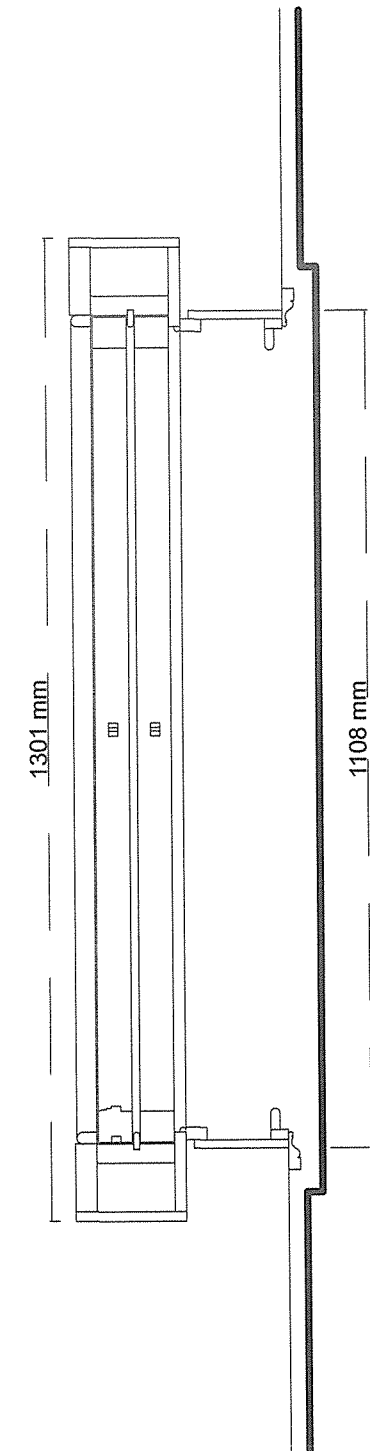
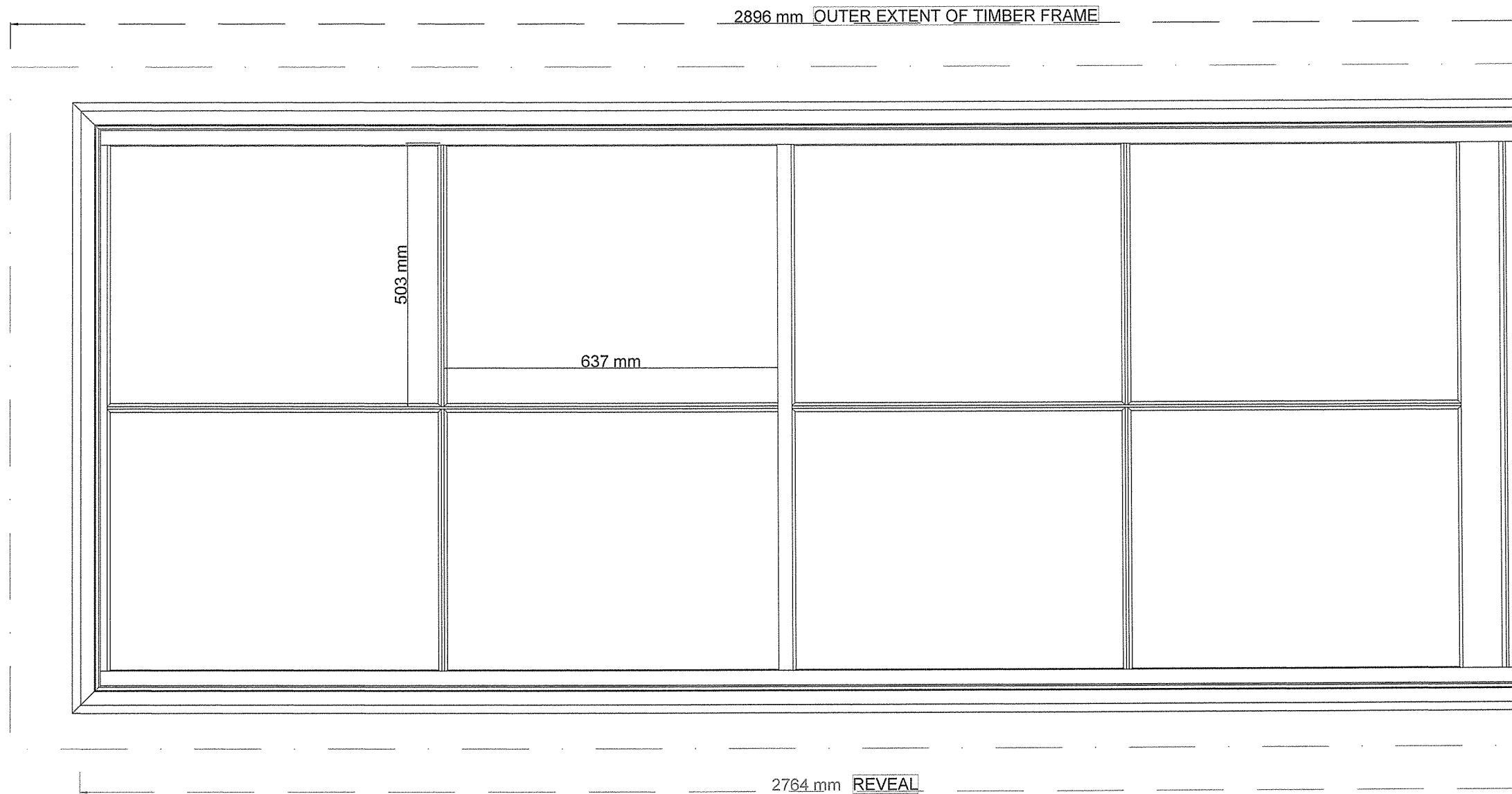
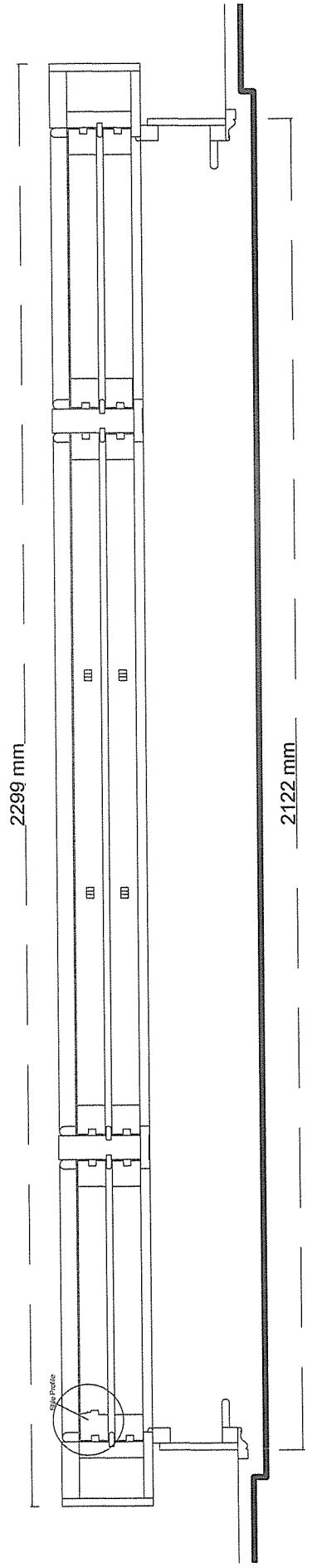
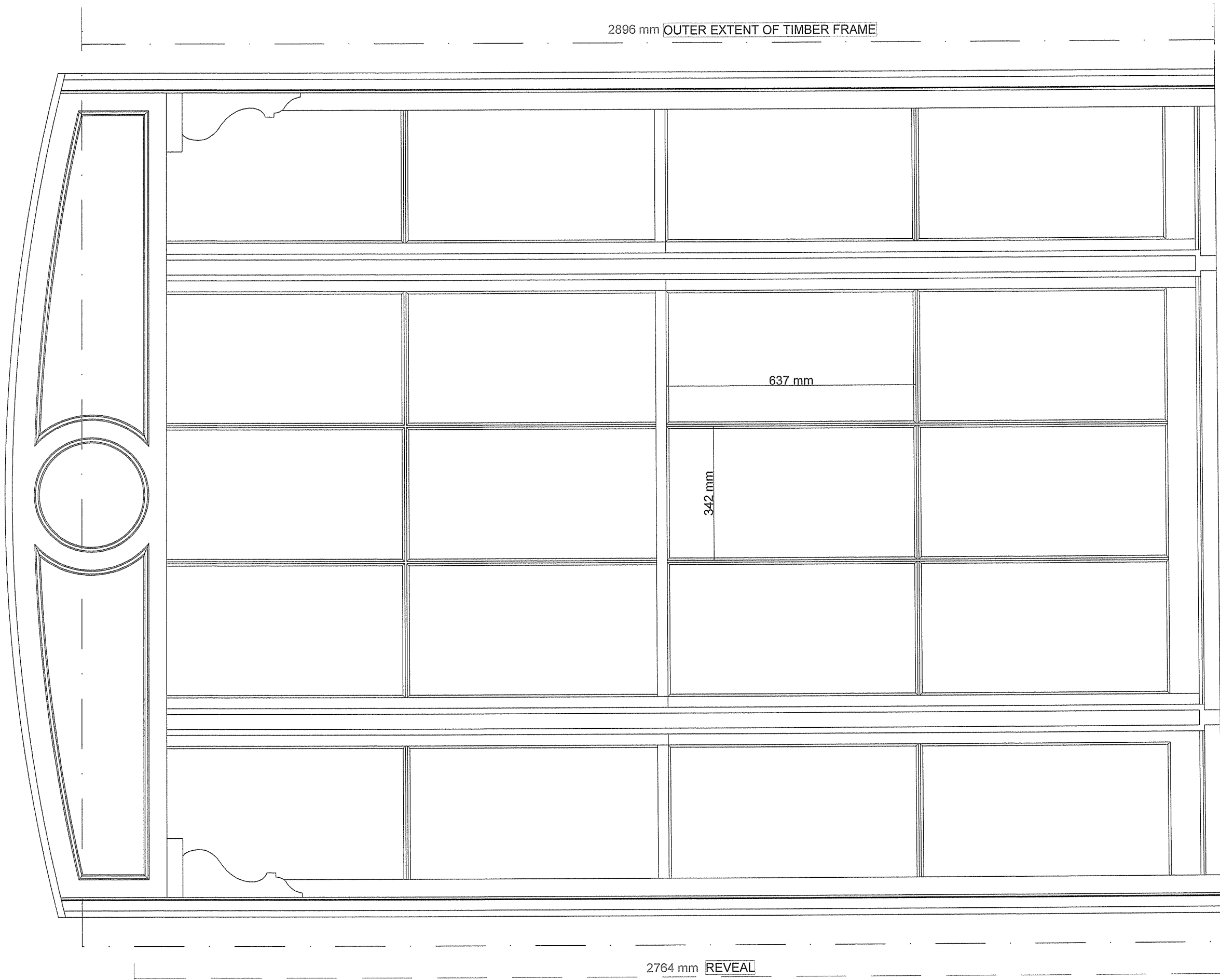


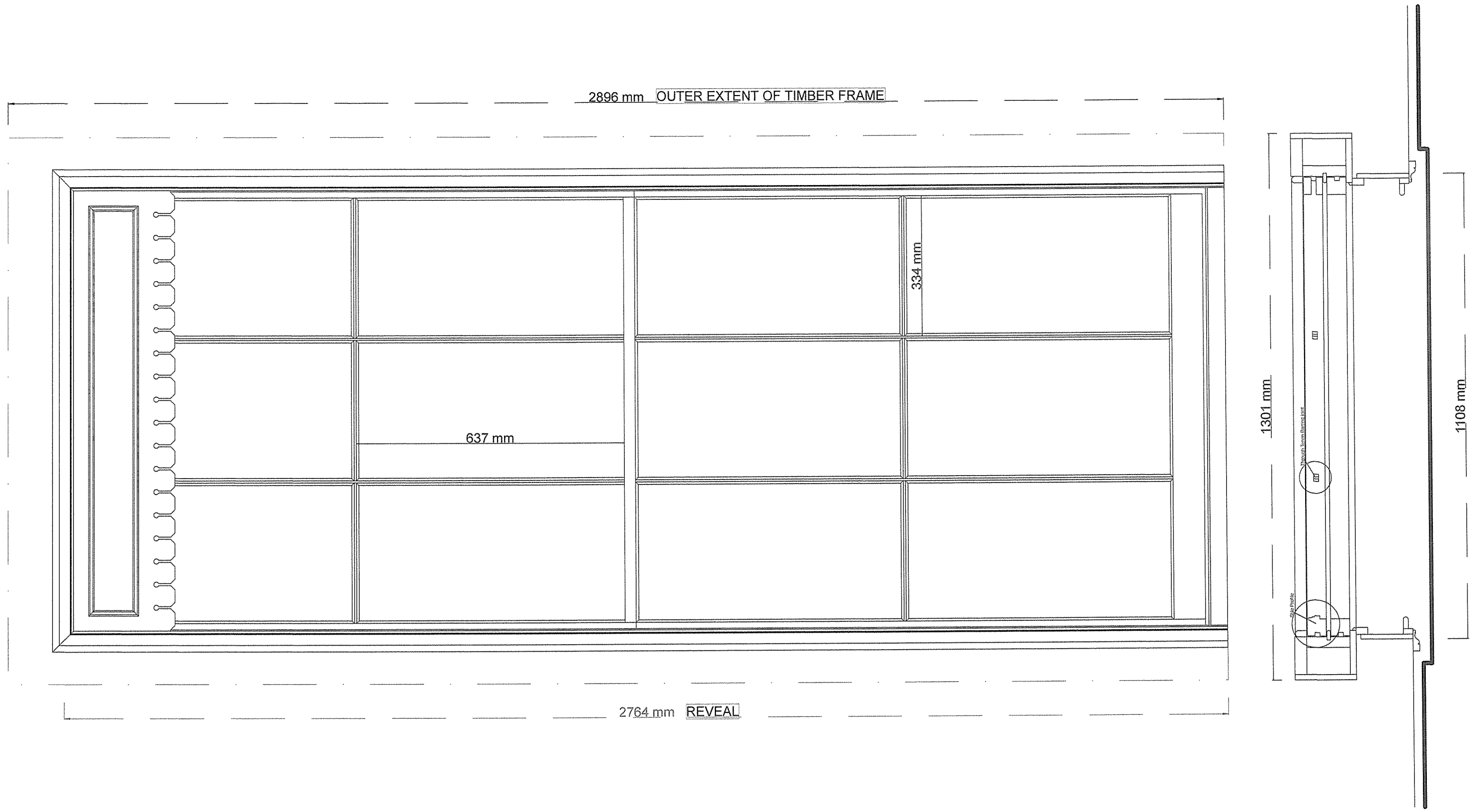
Luard Conservation Limited 67 Sellons Avenue London NW10 4HJ 07973 741 117		The Elms, Fitzroy Park, Highgate, London	
TITLE		Window EW/G.16	
SIZE	CAGE CODE	DWG NO	REV
A3		EFP-001	
SCALE	1:10	SHEET	



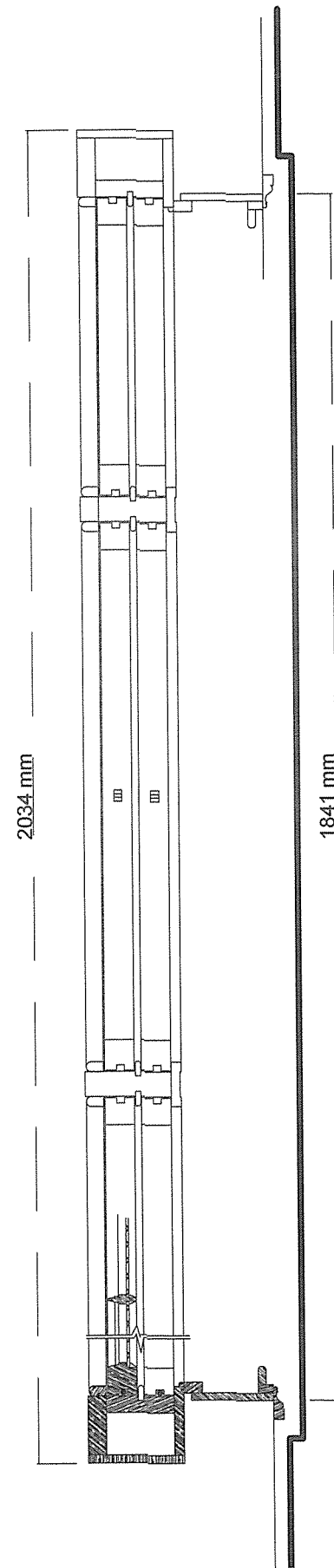
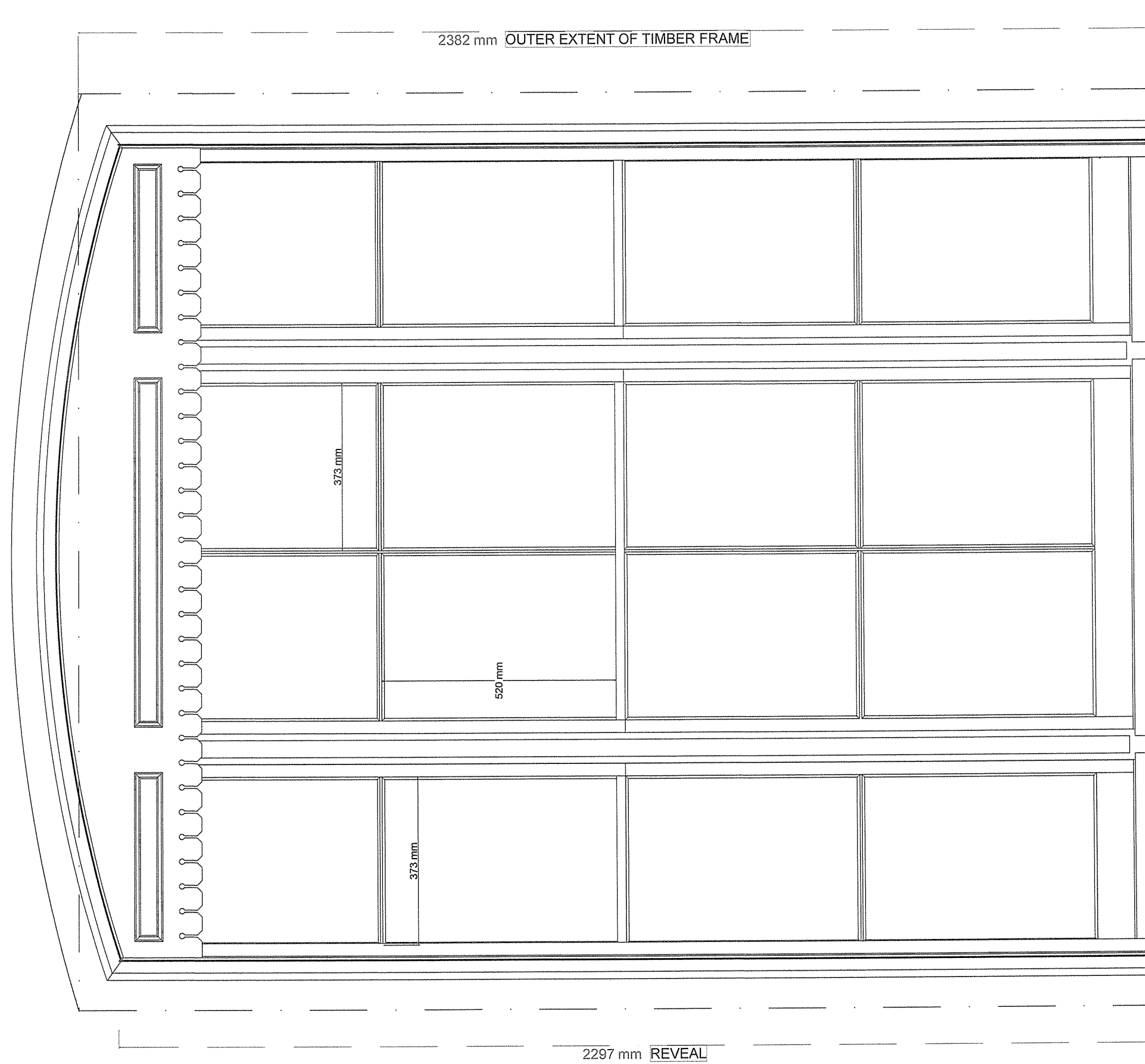
Luard Conservation Limited 67 Sellons Avenue London NW10 4HJ 07973 741 117		The Elms, Fitzroy Park, Highgate, London		
TITLE		Window EW/G.18		
SIZE	CAGE CODE	DWG NO	REV	
A3		EFP-002		
SCALE	1:10	SHEET		



Luard Conservation Limited 67 Sellons Avenue London NW10 4HJ 07973 741 117		The Elms, Fitzroy Park, Highgate, London		
TITLE		Window EW/G.19		
SIZE	CAGE CODE	DWG NO	REV	
A3		RFD-003		
SCALE	SHEET			
1:10				



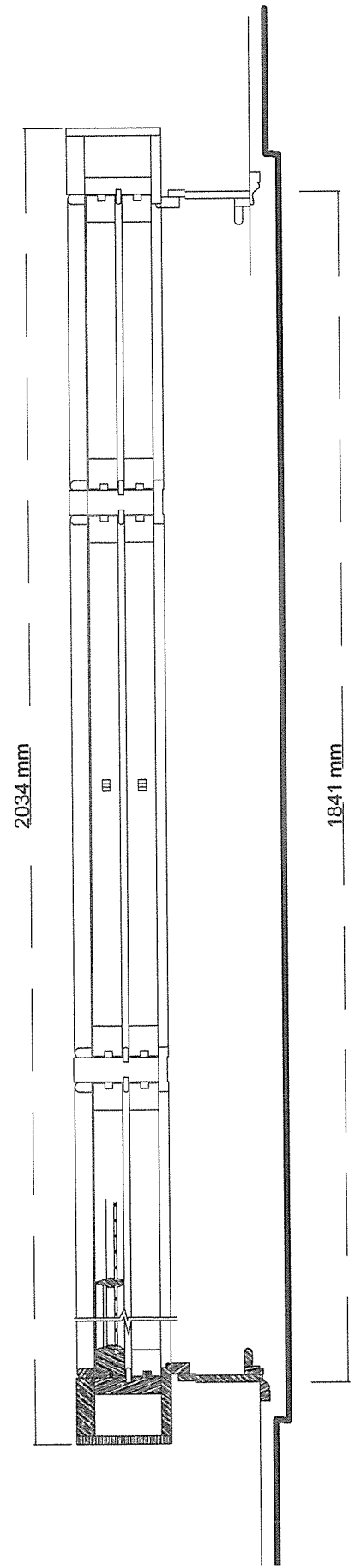
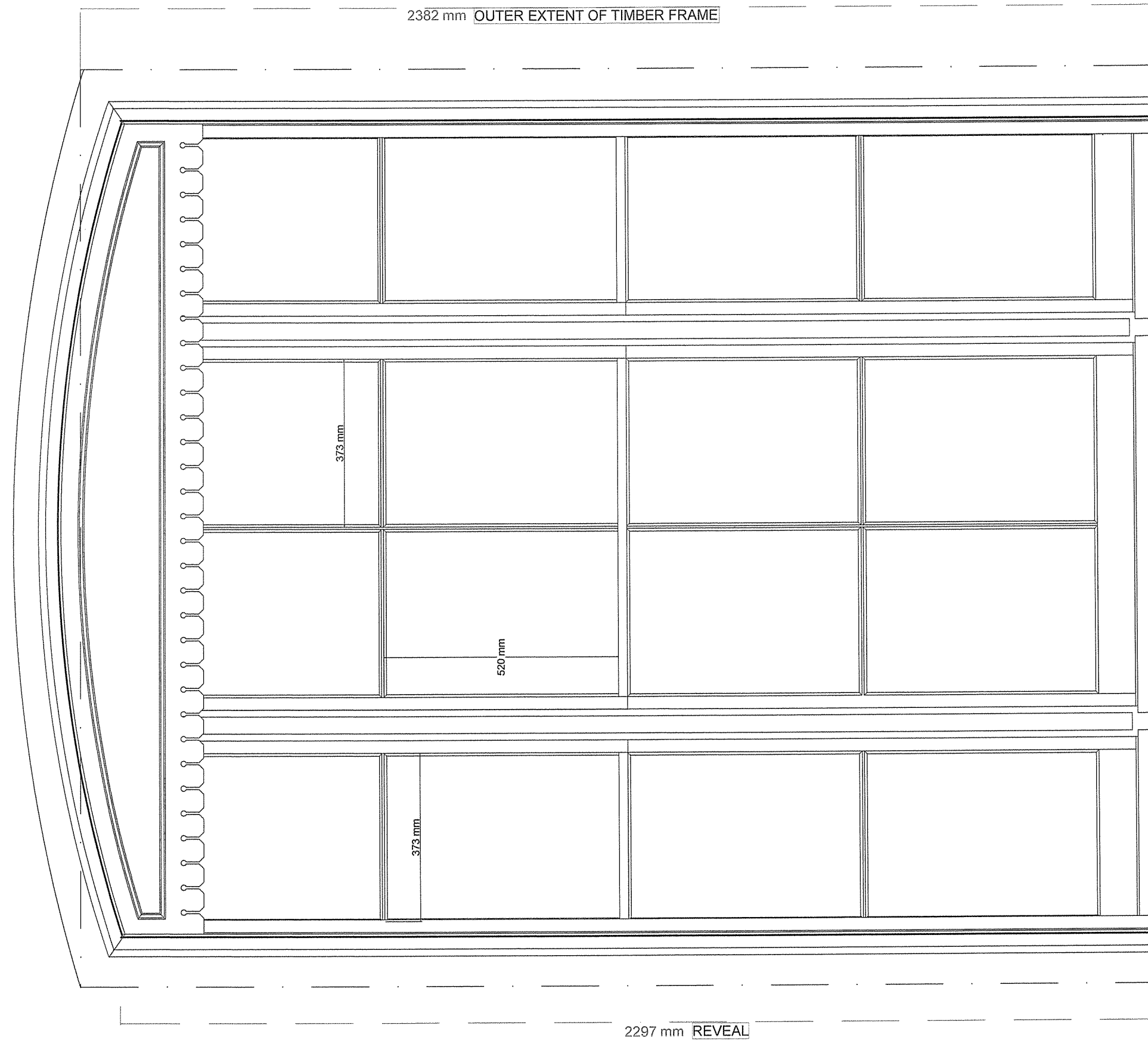
Luard Conservation Limited 67 Sellons Avenue London NW10 4HJ 07973 741 117		The Elms, Fitzroy Park, Highgate, London		
TITLE		Window EW/G.20		
SIZE	CAGE CODE	DWG NO	REV	
A3		EFP-004		
SCALE	1:10	SHEET		



Luard Conservation Limited
 67 Sellons Avenue
 London
 NW10 4HJ
 07973 741 117

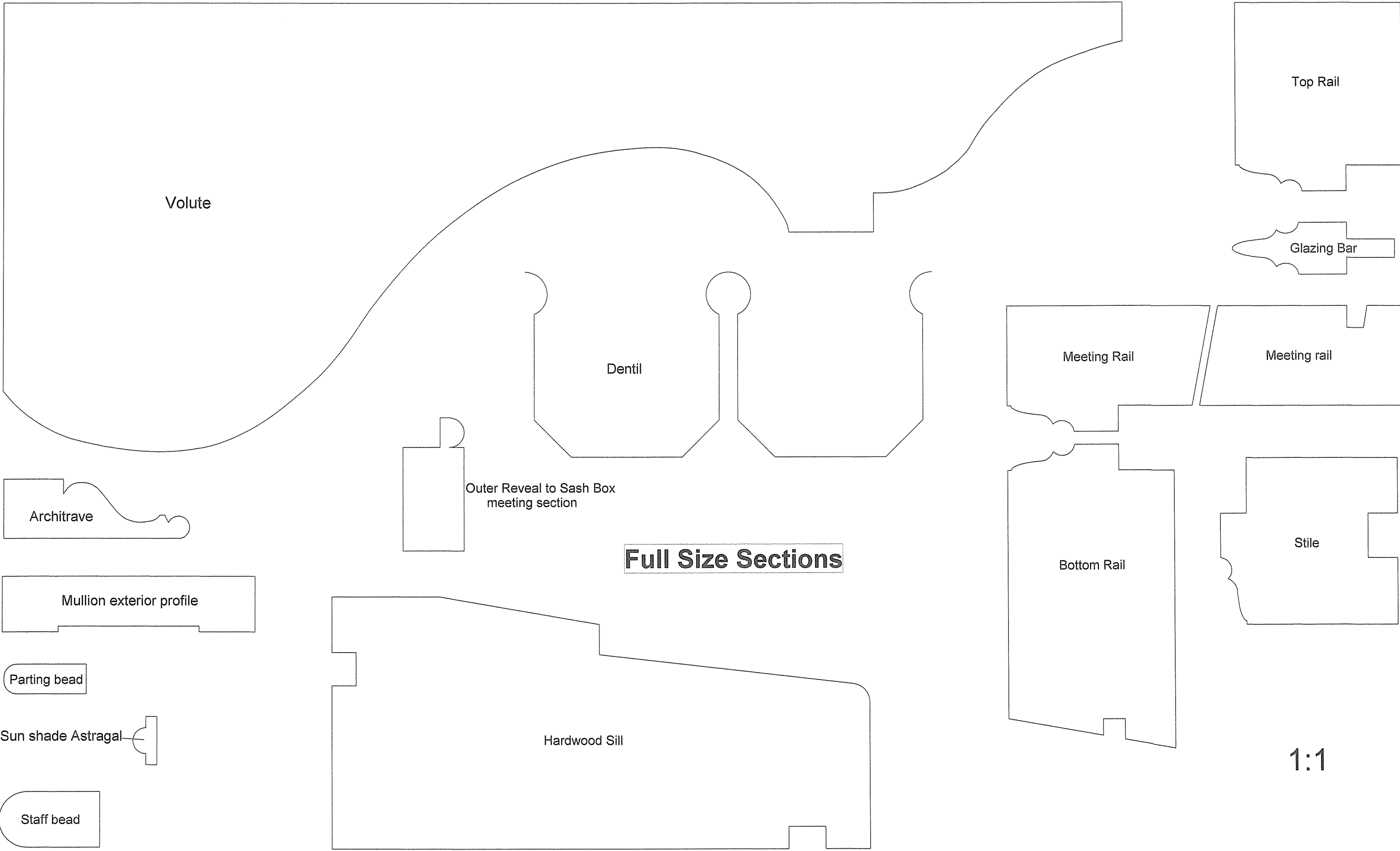
The Elms, Fitzroy Park, Highgate, London			
TITLE Window EW/G.21 Existing			
SIZE A3	CAGE CODE	DWG NO EFP-005	REV
SCALE 1:10	SHEET		

11



Luard Conservation Limited 67 Sellons Avenue London NW10 4HJ 07973 741 117		The Elms, Fitzroy Park, Highgate, London		
TITLE		Window EW/G.21 Proposed		
SIZE	CAGE CODE	DWG NO	REV	
A3		EFP-006		
SCALE	1:10	SHEET		

GROUND FLOOR

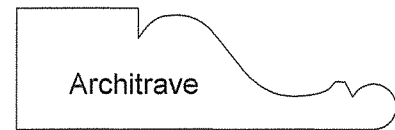
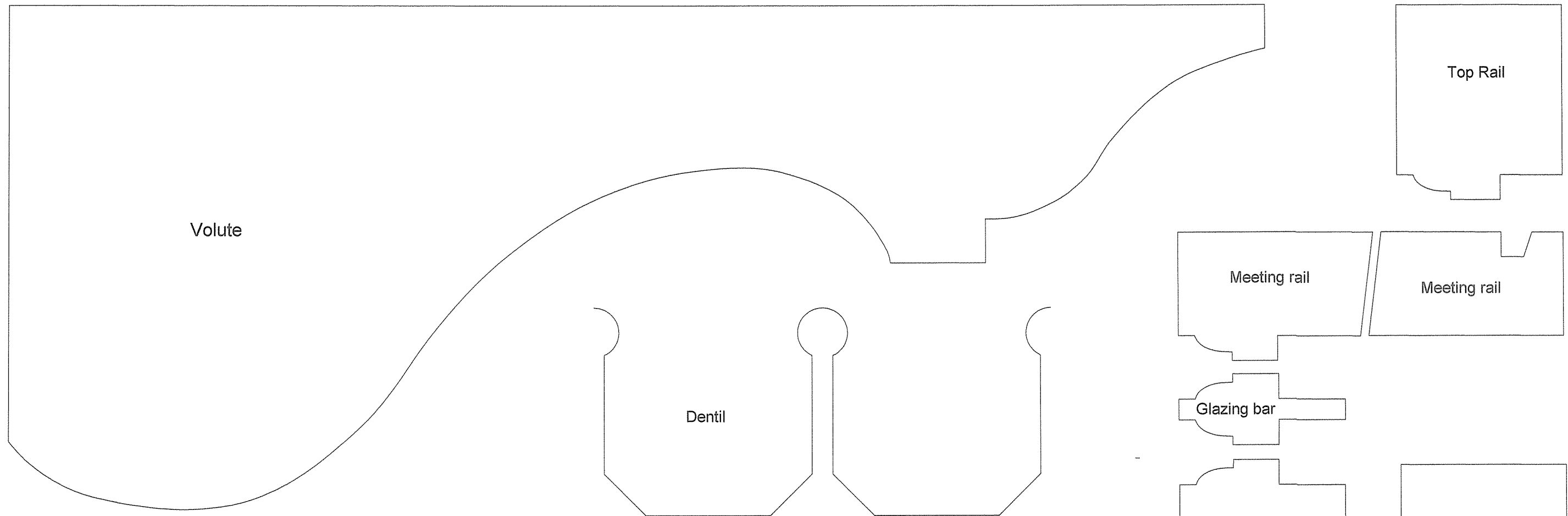


Full Size Sections

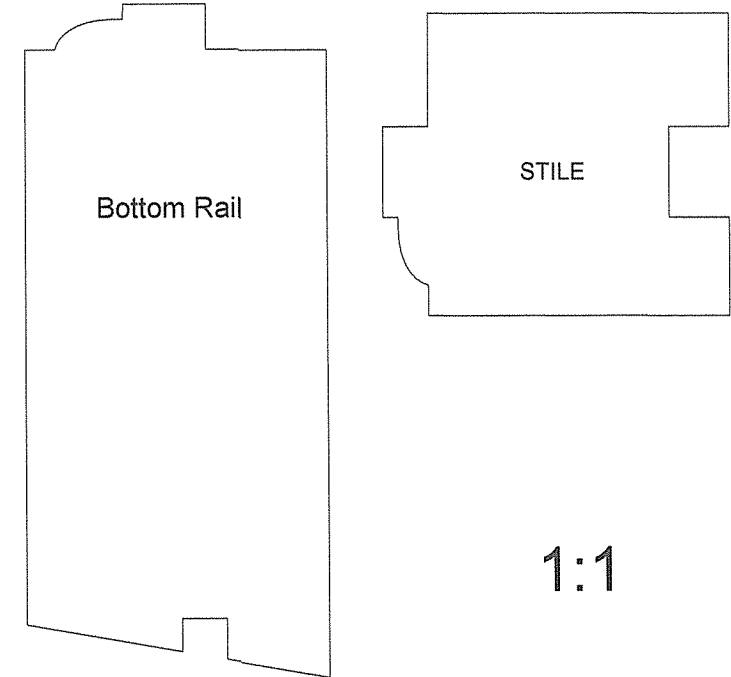
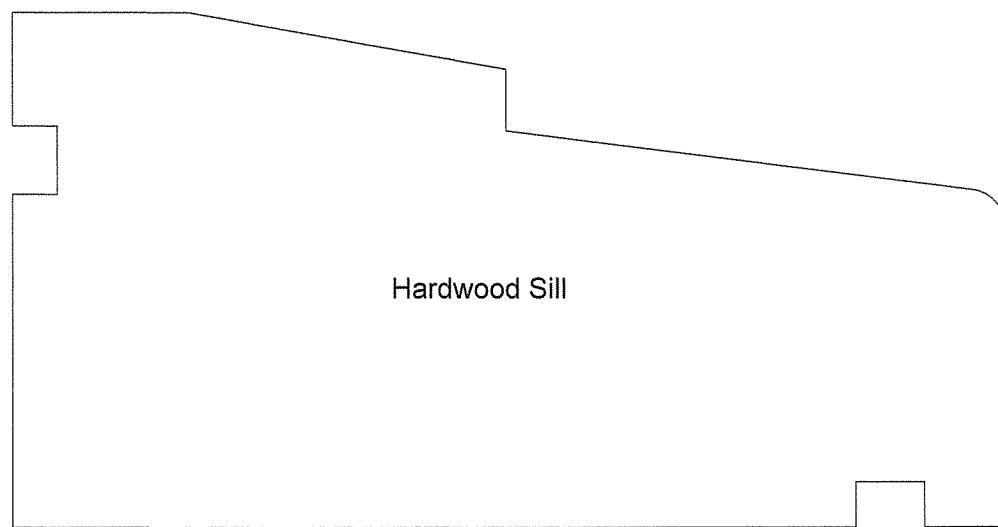
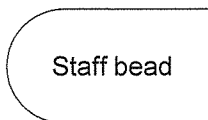
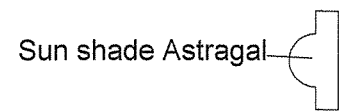
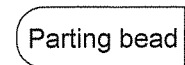
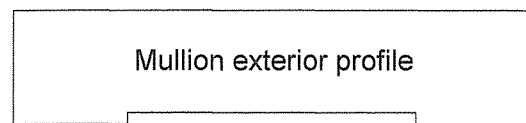
1:1

Luard Conservation Limited 67 Sellons Avenue London NW10 4HJ 07973 741 117		The Elms, Fitzroy Park, Highgate, London		
TITLE Ground Floor Full size sections				
SIZE A3	CAGE CODE	DWG NO EFP-007	REV	
SCALE 1:1	SHEET			

FIRST FLOOR



Full Size Sections

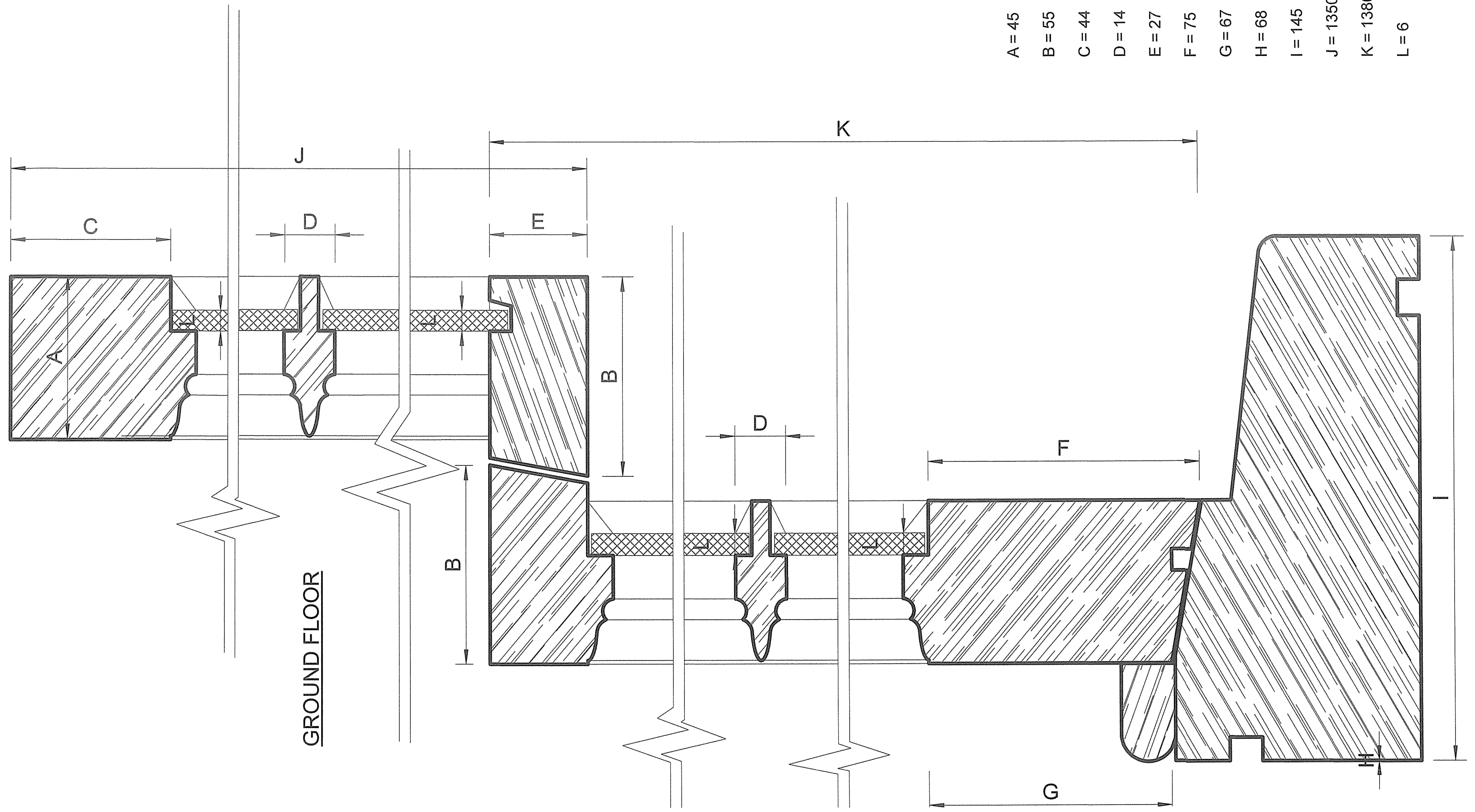


1:1

Luard Conservation Limited
 67 Sellons Avenue
 London
 NW10 4HJ
 07973 741 117

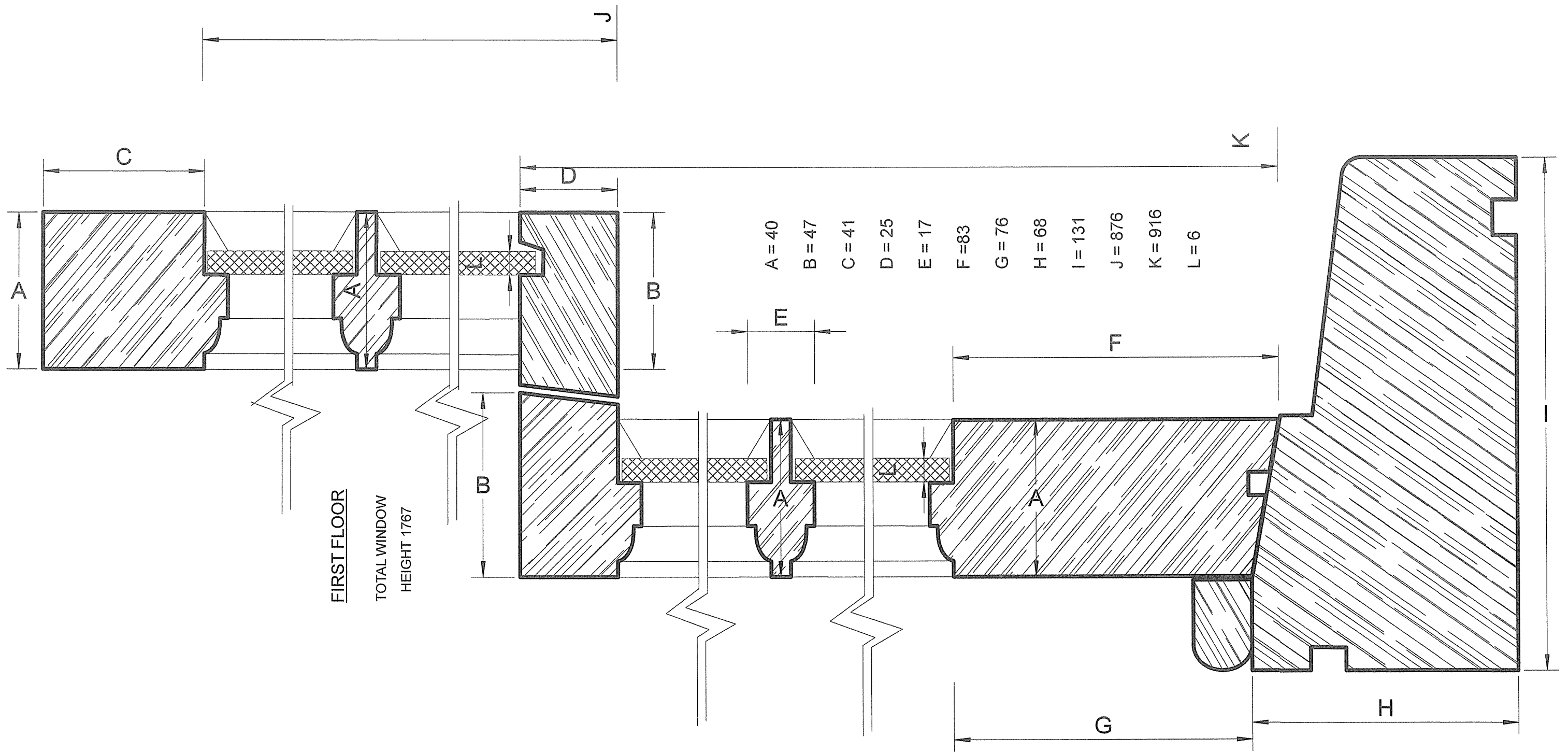
The Elms, Fitzroy Park, Highgate, London			
TITLE First floor full size sections			
SIZE A3	CAGE CODE	DWG NO EFP-008	REV
SCALE 1:1	SHEET		

- A = 45
- B = 55
- C = 44
- D = 14
- E = 27
- F = 75
- G = 67
- H = 68
- I = 145
- J = 1350
- K = 1380
- L = 6



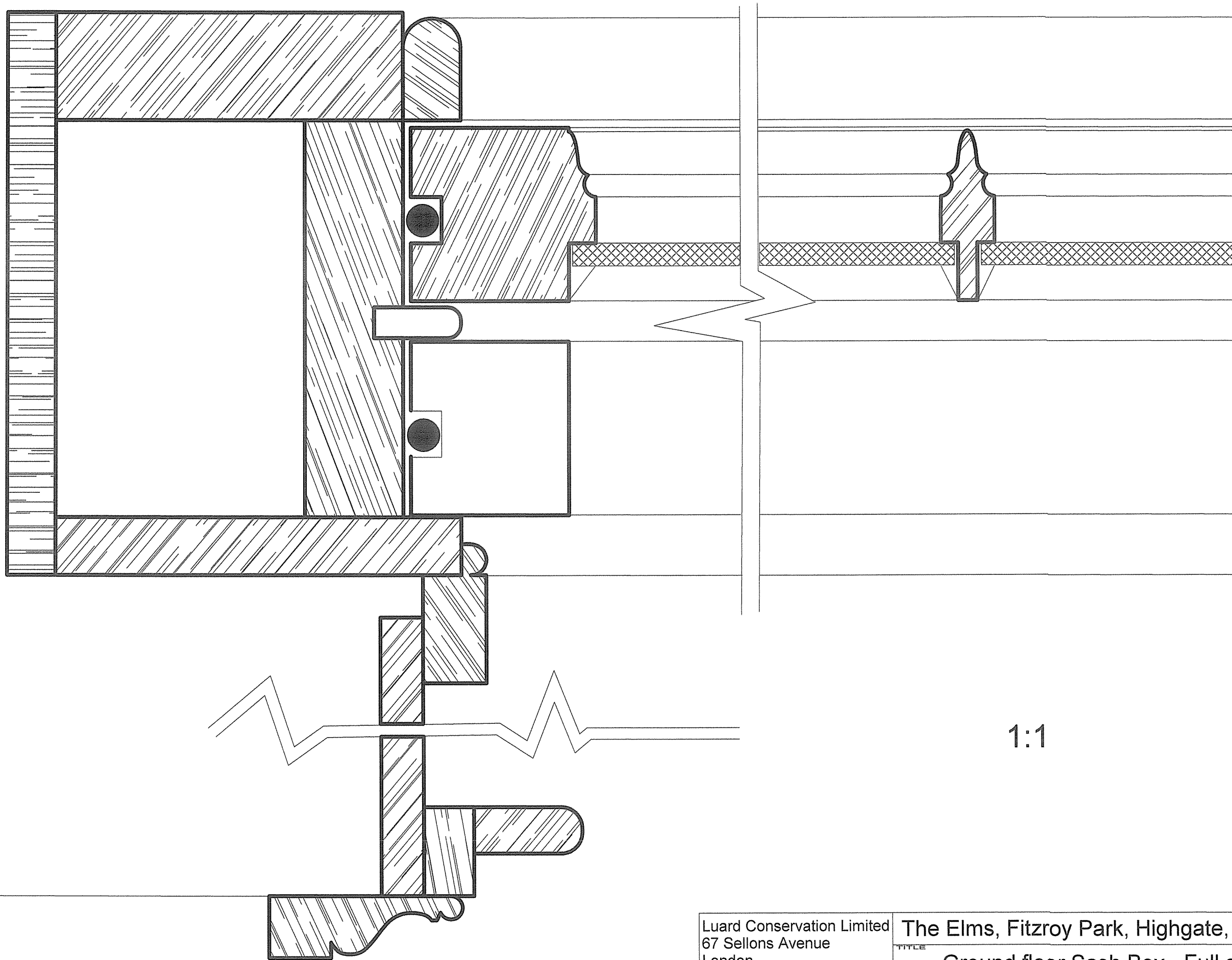
Luard Conservation Limited
 67 Sellons Avenue
 London
 NW10 4HJ
 07973 741 117

The Elms, Fitzroy Park, Highgate, London			
TITLE Ground Floor Full size Window detail			
SIZE A3	CAGE CODE	DWG NO EFP-009	REV
SCALE 1:1		SHEET	



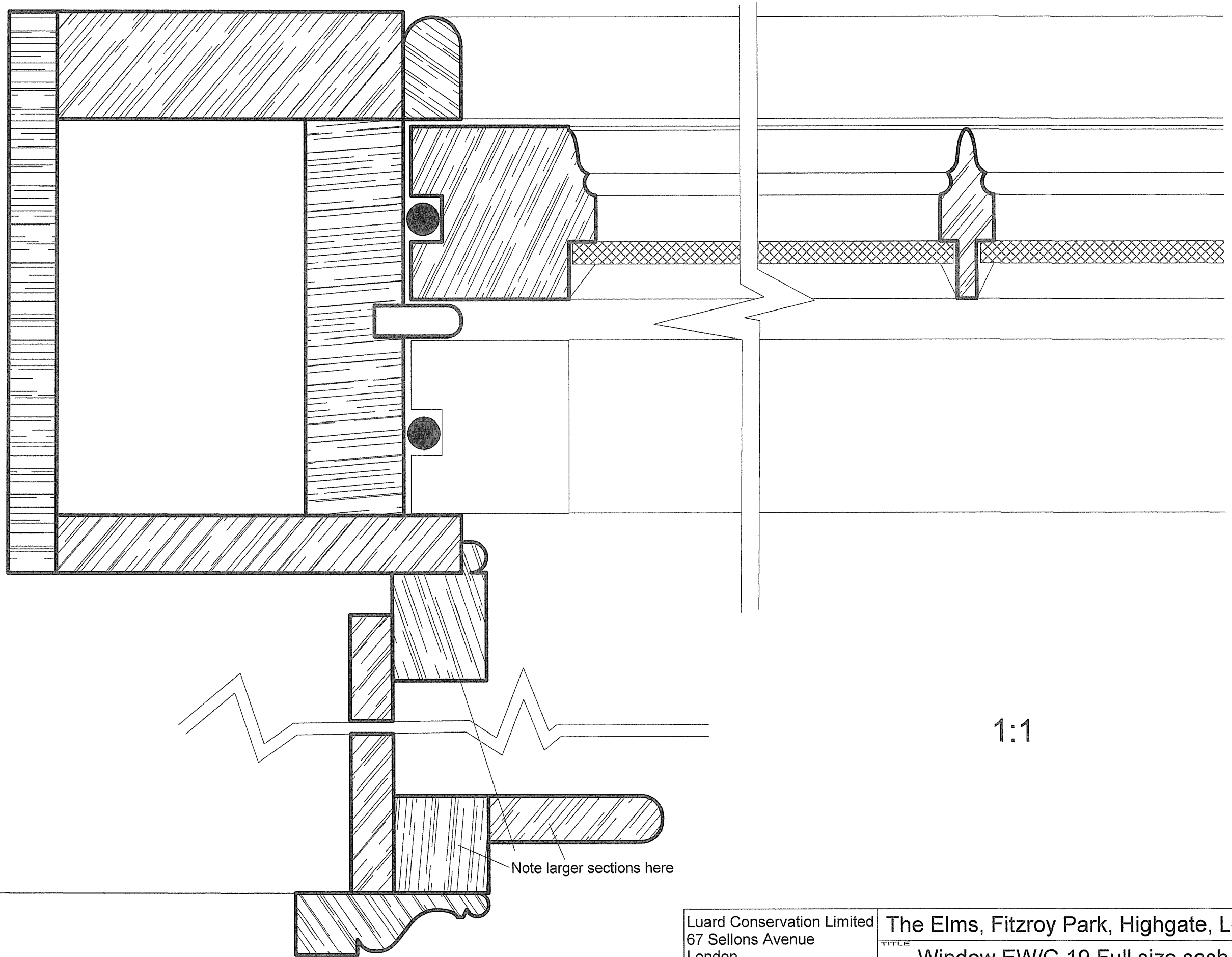
Luard Conservation Limited
 67 Sellons Avenue
 London
 NW10 4HJ
 07973 741 117

The Elms, Fitzroy Park, Highgate, London		TITLE	
First Floor Full size Window detail		REV	
SIZE A3	CAGE CODE	DWG NO EFP-010	REV
SCALE 1:1	SHEET		



1:1

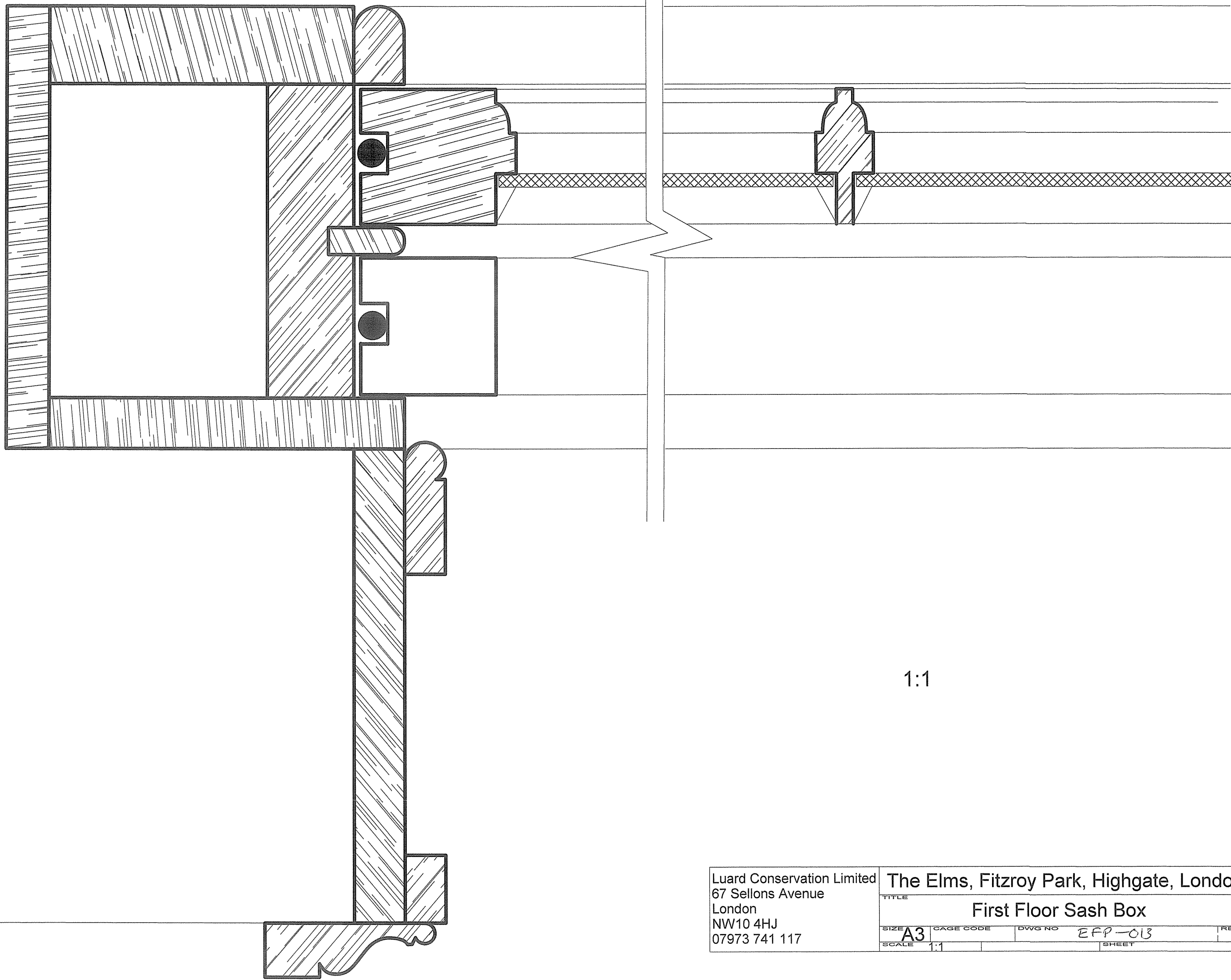
Luard Conservation Limited 67 Sellons Avenue London NW10 4HJ 07973 741 117		The Elms, Fitzroy Park, Highgate, London		
TITLE		Ground floor Sash Box - Full size		
SIZE	A3	CAGE CODE	DWG NO	REV
SCALE	1:1		EFP-011	
		SHEET		



1:1

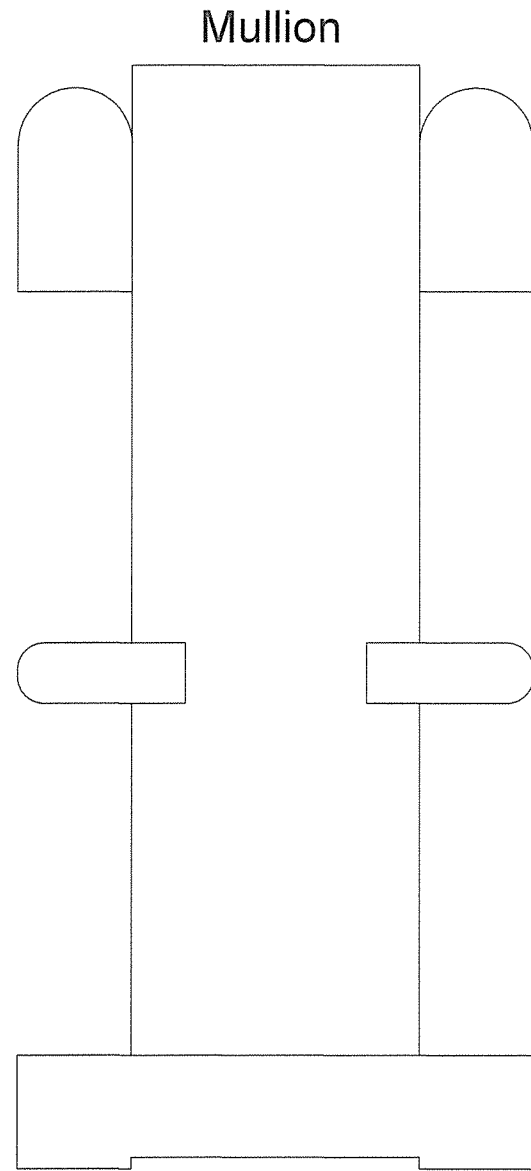
Note larger sections here

Luard Conservation Limited 67 Sellons Avenue London NW10 4HJ 07973 741 117		The Elms, Fitzroy Park, Highgate, London		
TITLE Window EW/G.19 Full size sash box				
SIZE A3	CAGE CODE	DWG NO EFP-012	REV	
SCALE 1:1	SHEET			

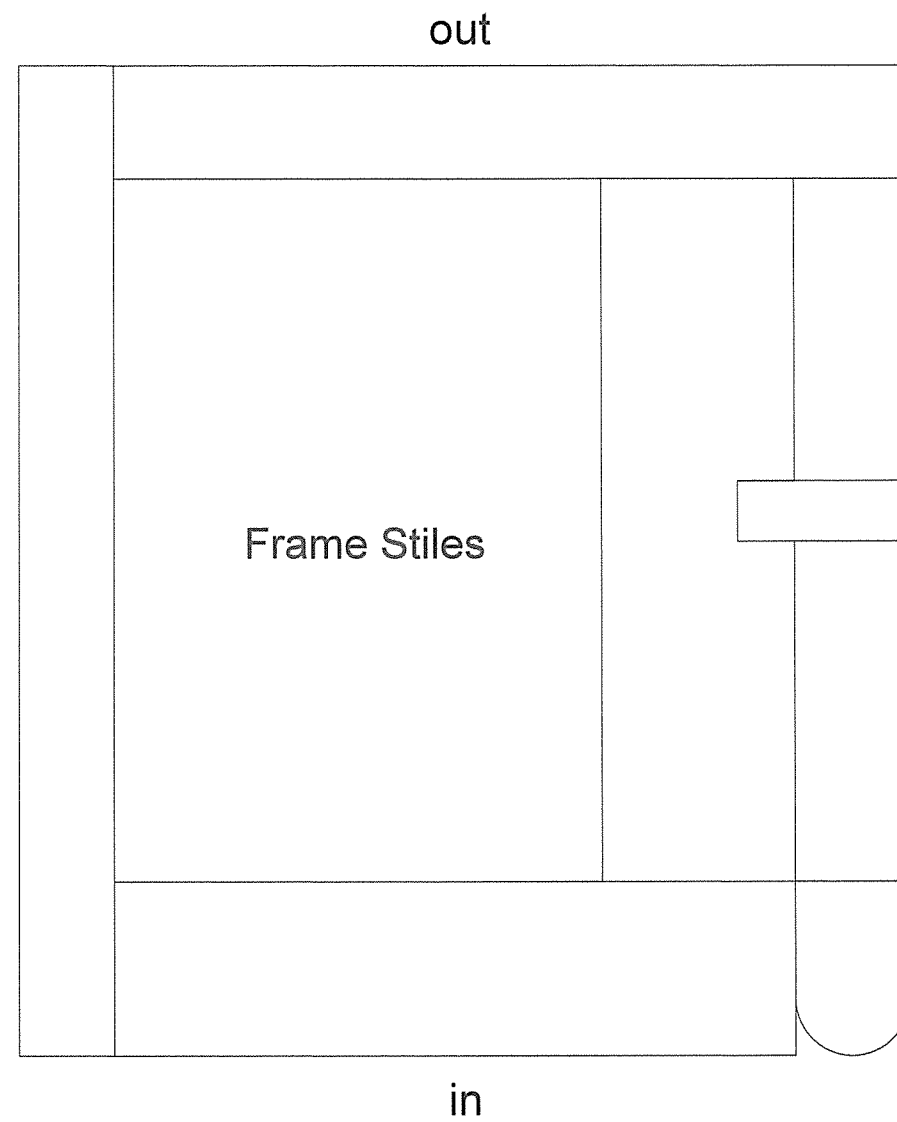


1:1

Luard Conservation Limited 67 Sellons Avenue London NW10 4HJ 07973 741 117		The Elms, Fitzroy Park, Highgate, London		
TITLE		First Floor Sash Box		
SIZE	A3	CAGE CODE	DWG NO	REV
SCALE	1:1		EFP-03	
		SHEET		



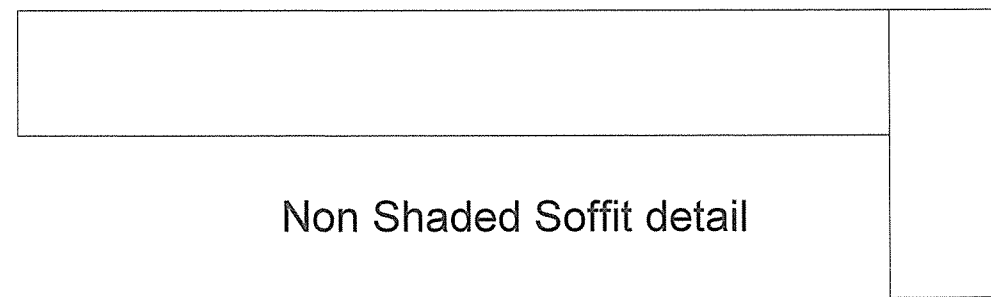
Mullion



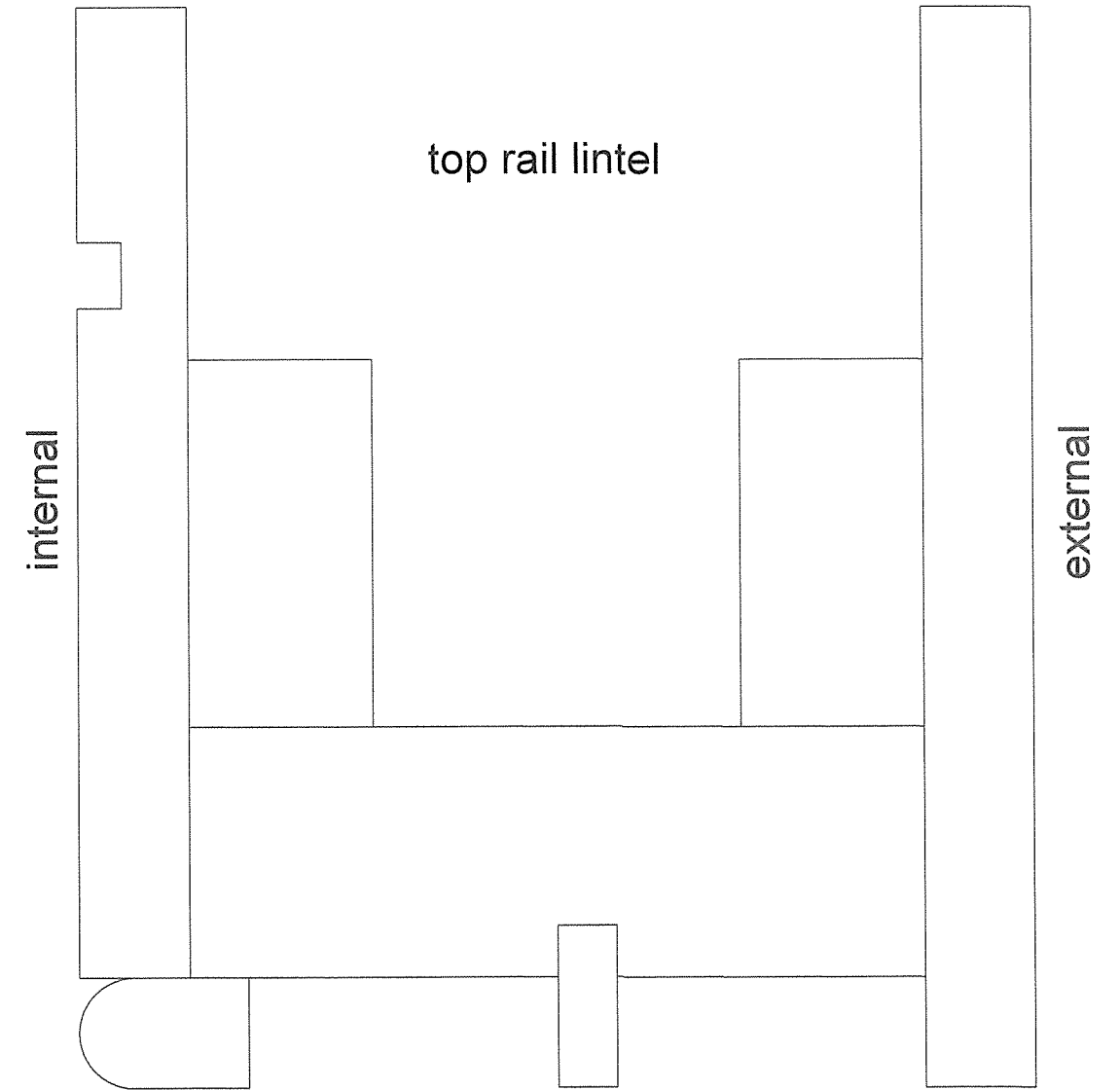
out

Frame Stiles

in



Non Shaded Soffit detail



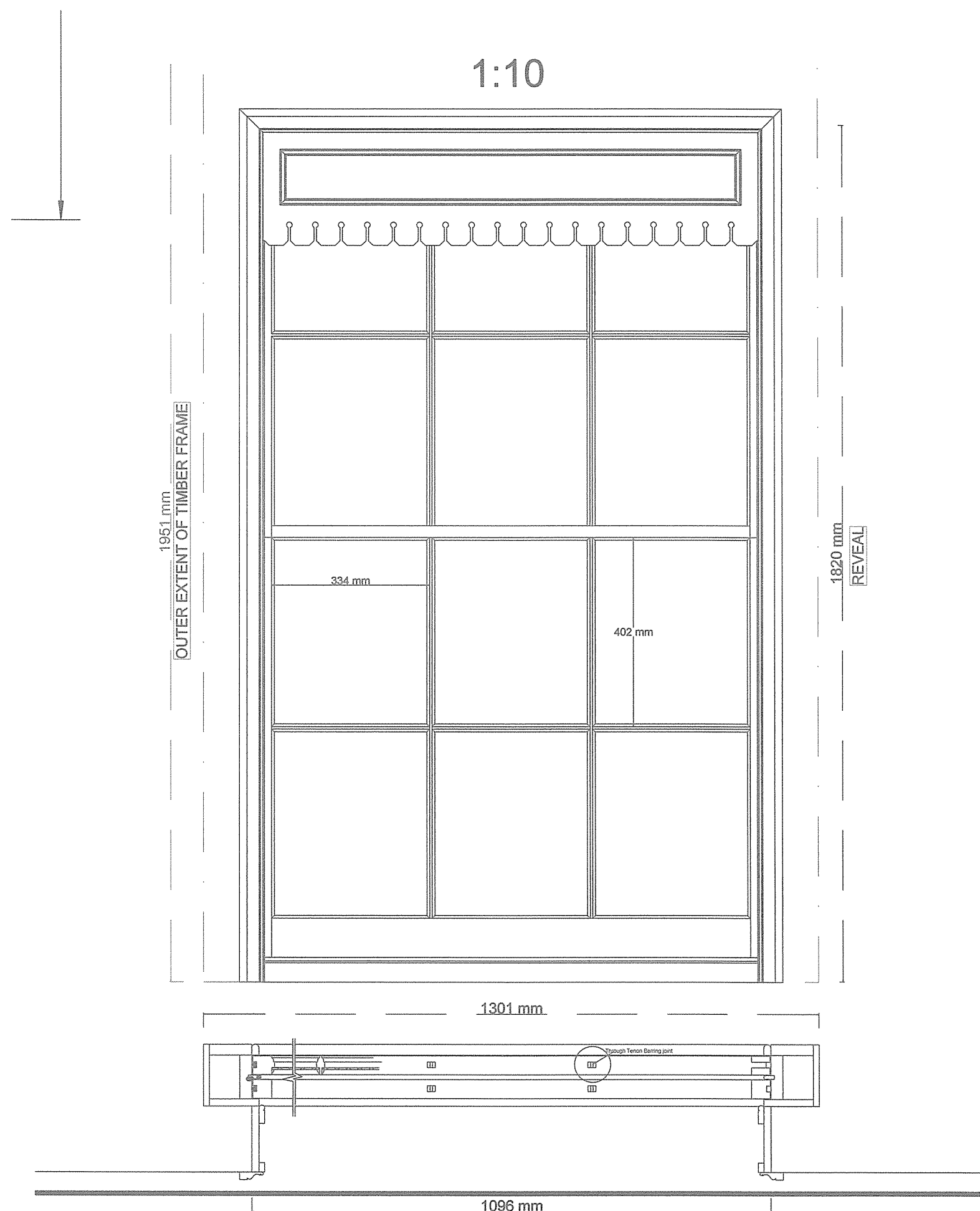
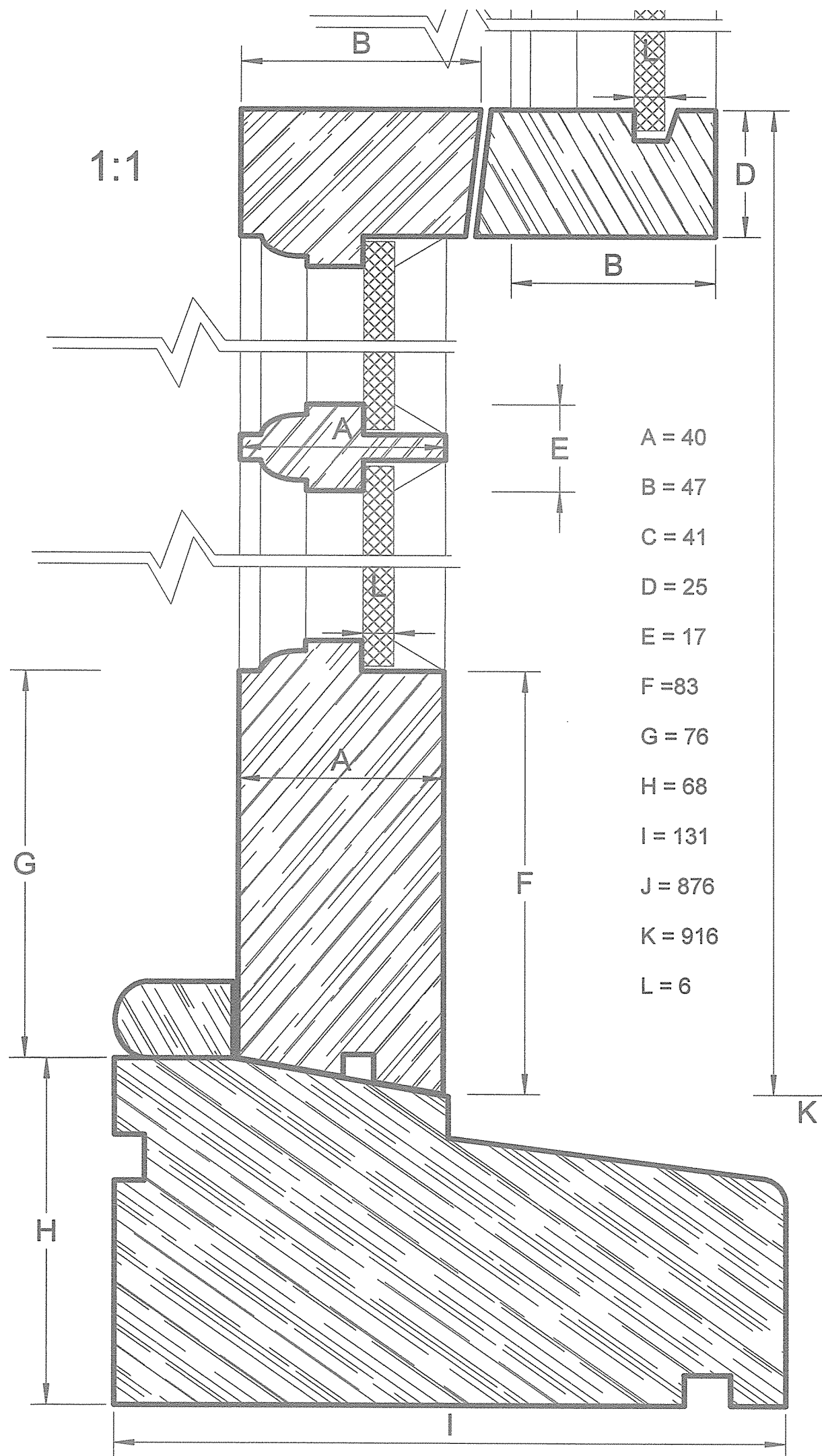
top rail lintel

internal

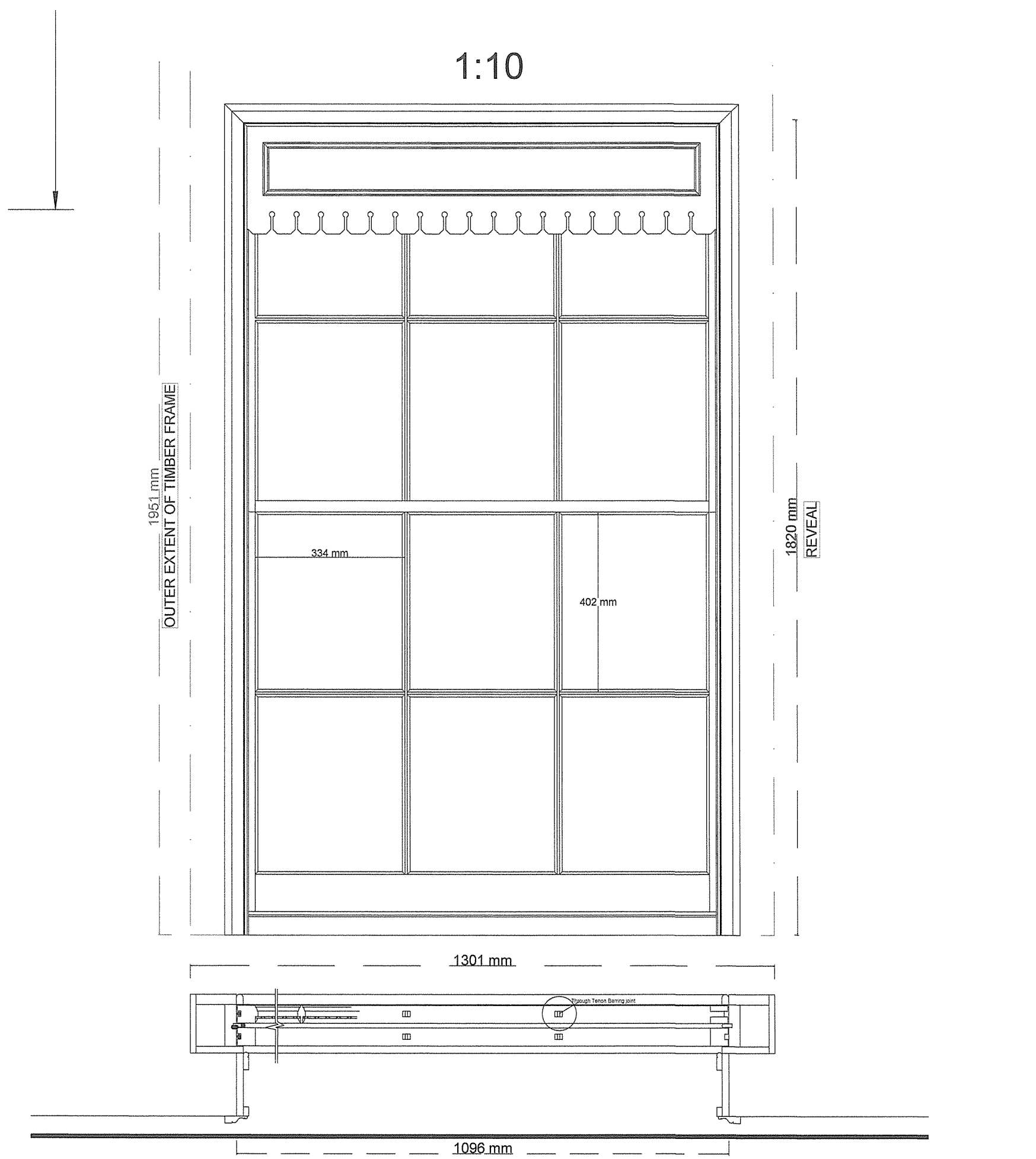
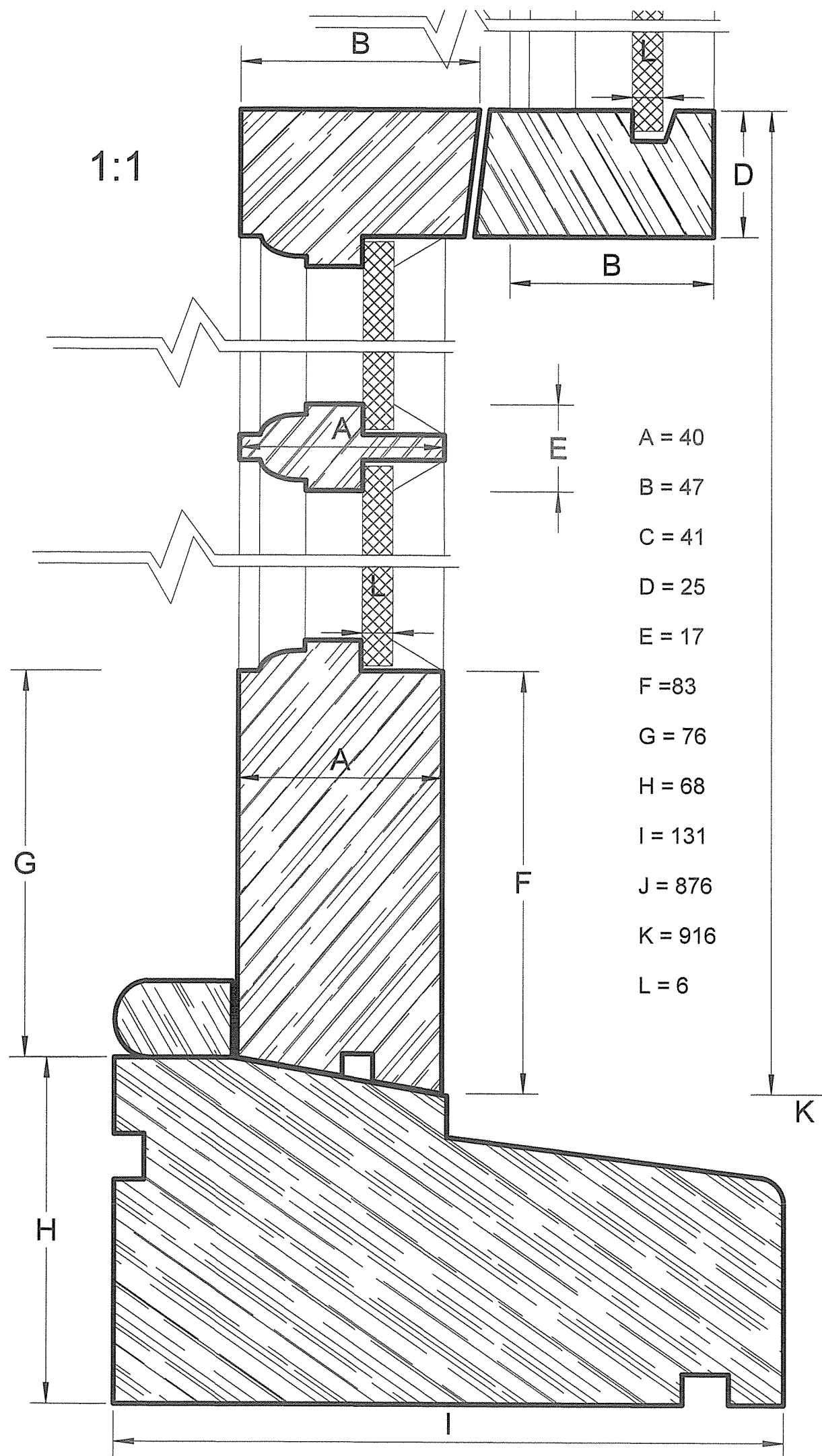
external

1:1

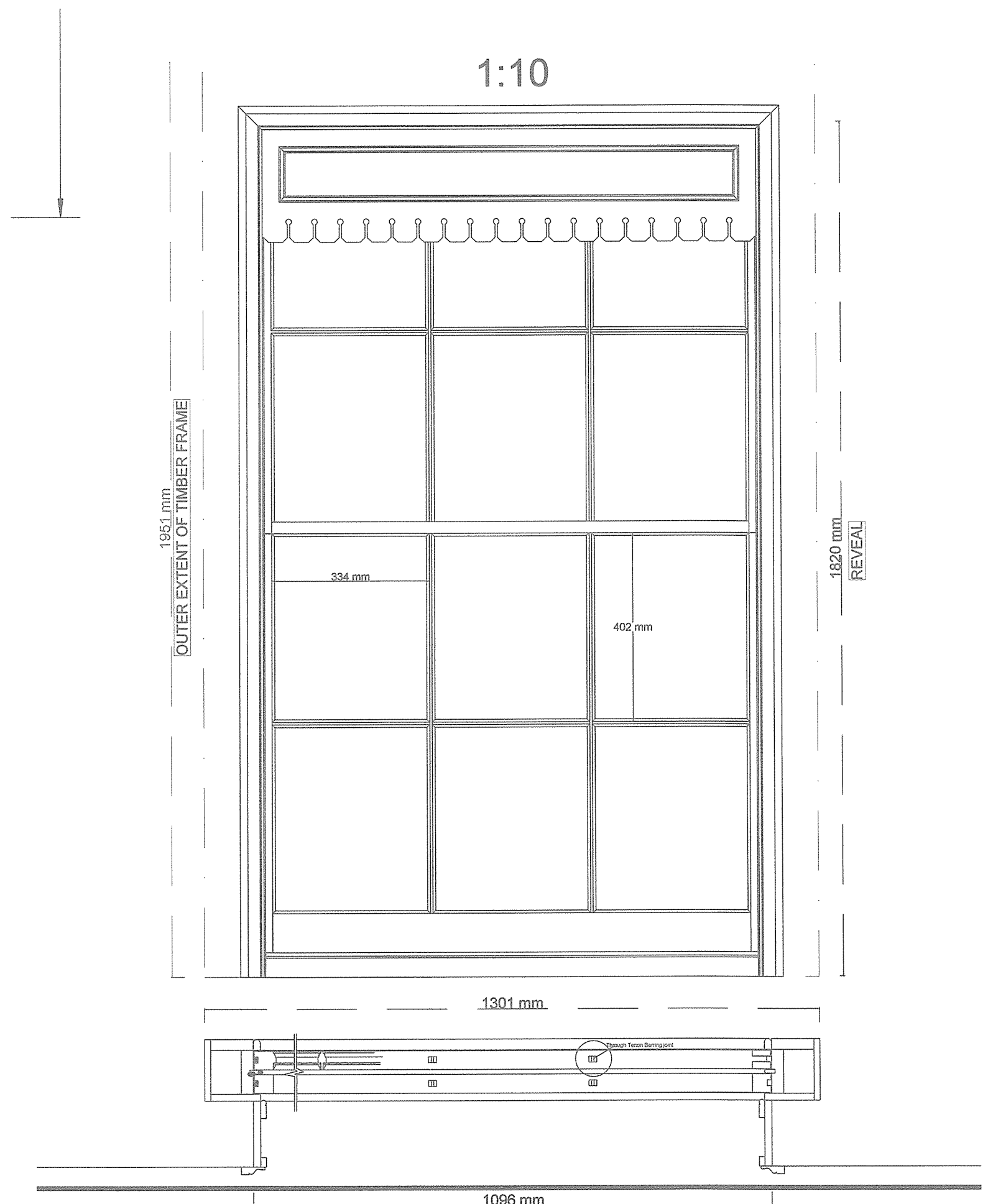
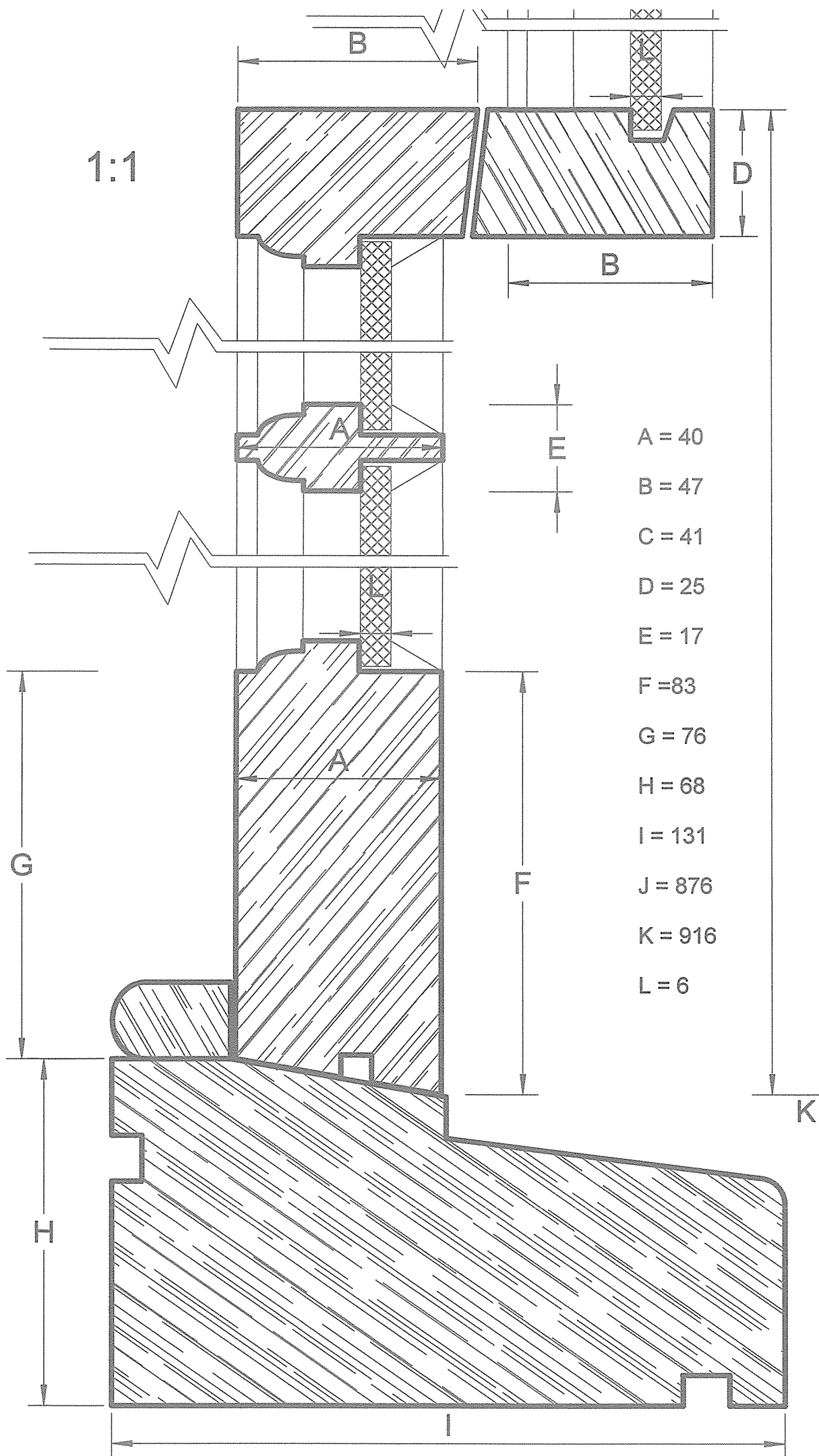
Luard Conservation Limited 67 Sellons Avenue London NW10 4HJ 07973 741 117		The Elms, Fitzroy Park, Highgate, London		
TITLE Frame Sections Full size				
SIZE A3	CAGE CODE	DWG NO EFP-014	REV	
SCALE 1:1			SHEET	



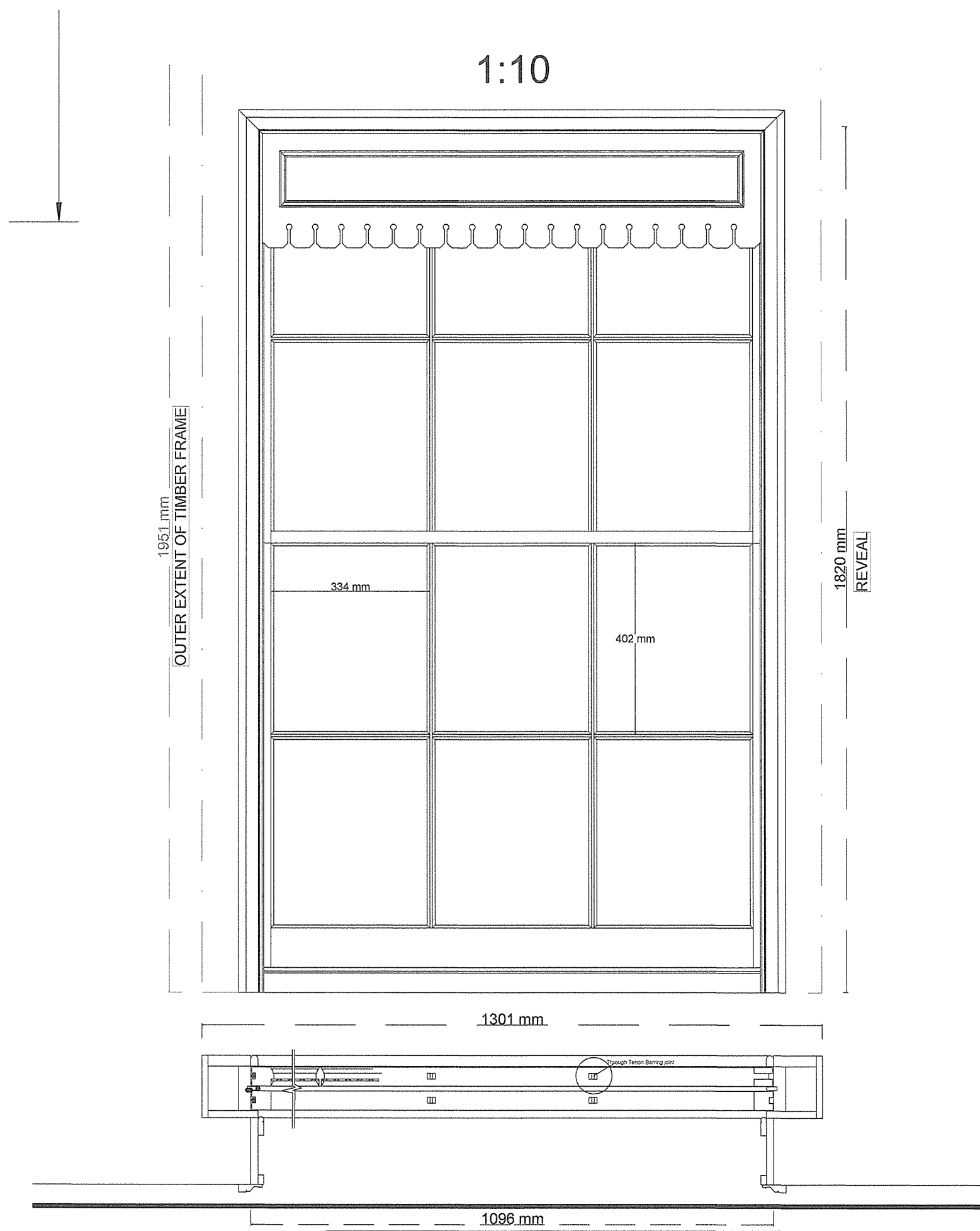
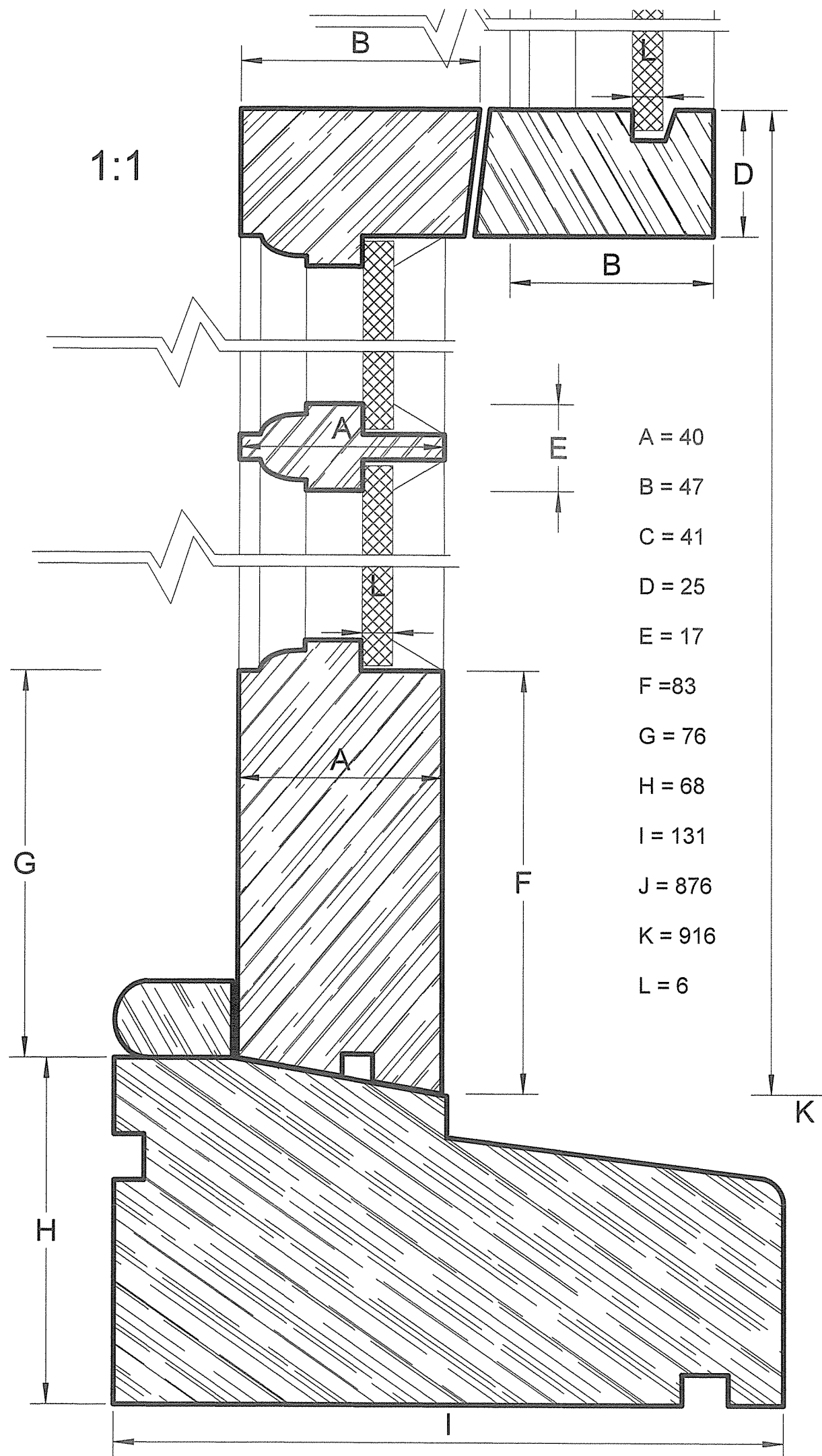
Luard Conservation Limited 67 Sellons Avenue London NW10 4HJ 07973 741 117		The Elms, Fitzroy Park, Highgate, London		
TITLE Window EW/F.11		SIZE A3	CAGE CODE	REV
SCALE		DWG NO EFP-015	SHEET	



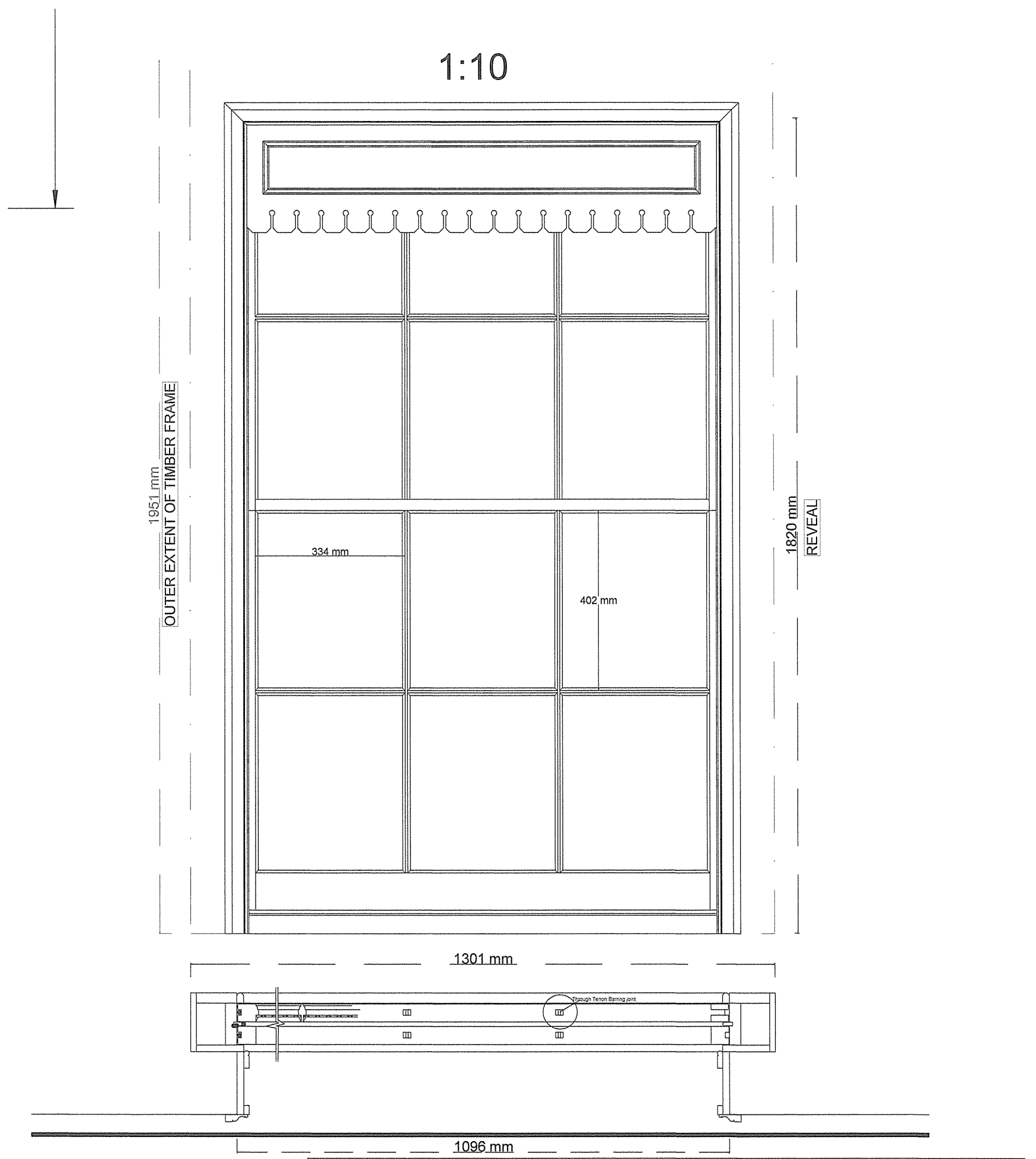
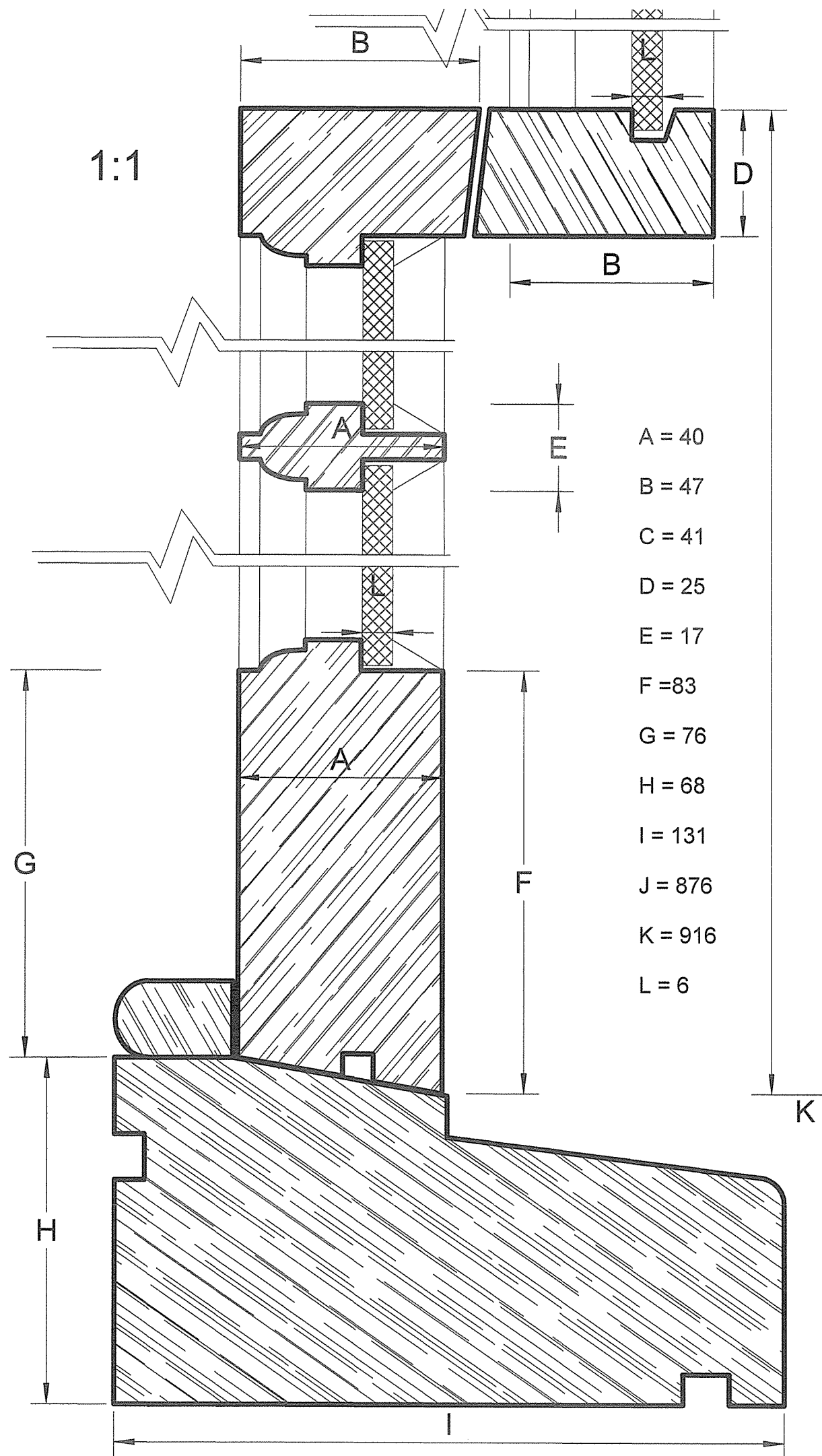
Luard Conservation Limited 67 Sellons Avenue London NW10 4HJ 07973 741 117		The Elms, Fitzroy Park, Highgate, London		
TITLE Window EW/F.12		SIZE A3	CAGE CODE	REV
SCALE		DWG NO EFP-016	SHEET	



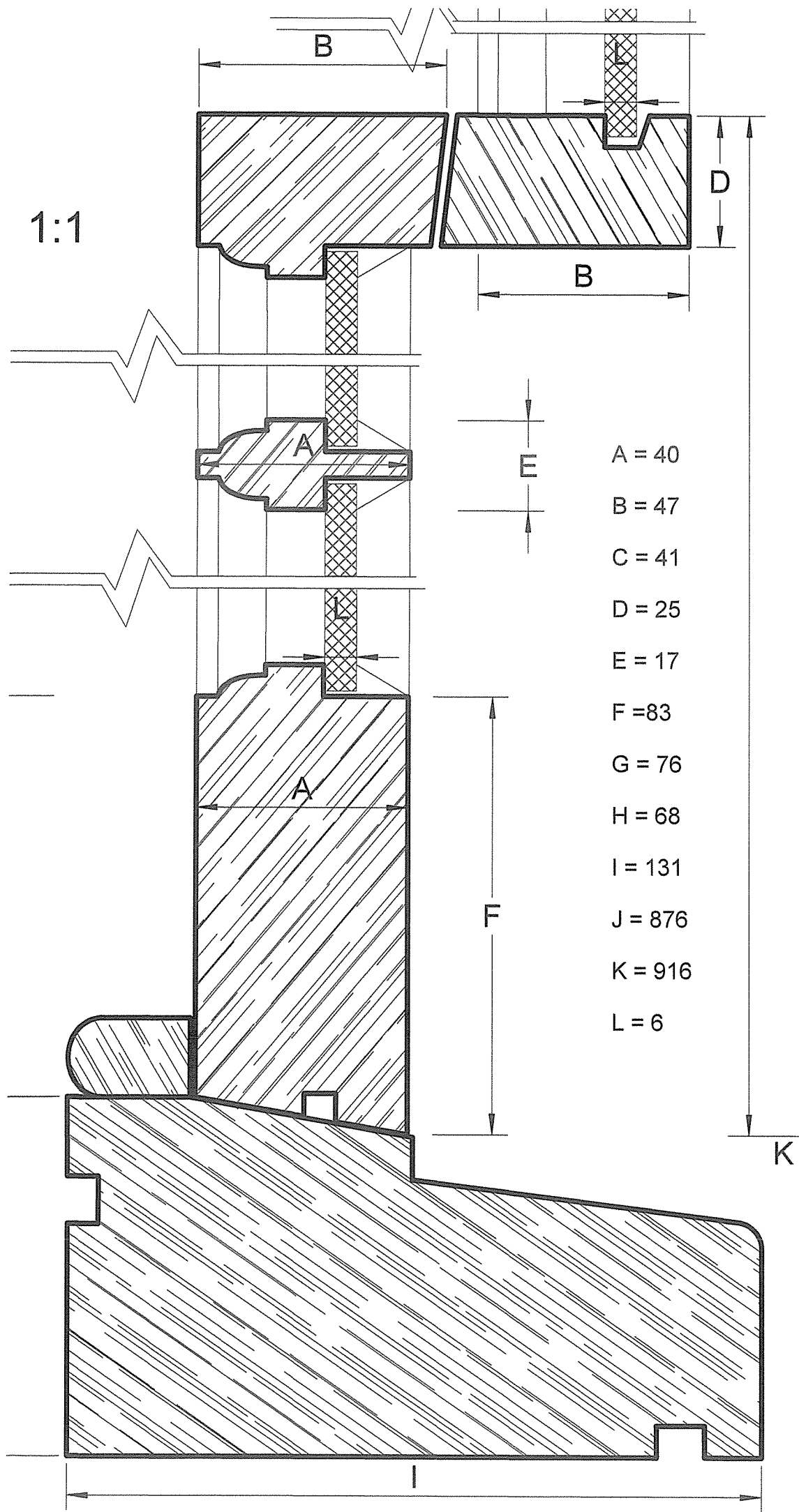
Luard Conservation Limited 67 Sellons Avenue London NW10 4HJ 07973 741 117		The Elms, Fitzroy Park, Highgate, London	
TITLE		Window EW/F.13	
SIZE A3	CAGE CODE	DWG NO EFP-017	REV
SCALE	SHEET		



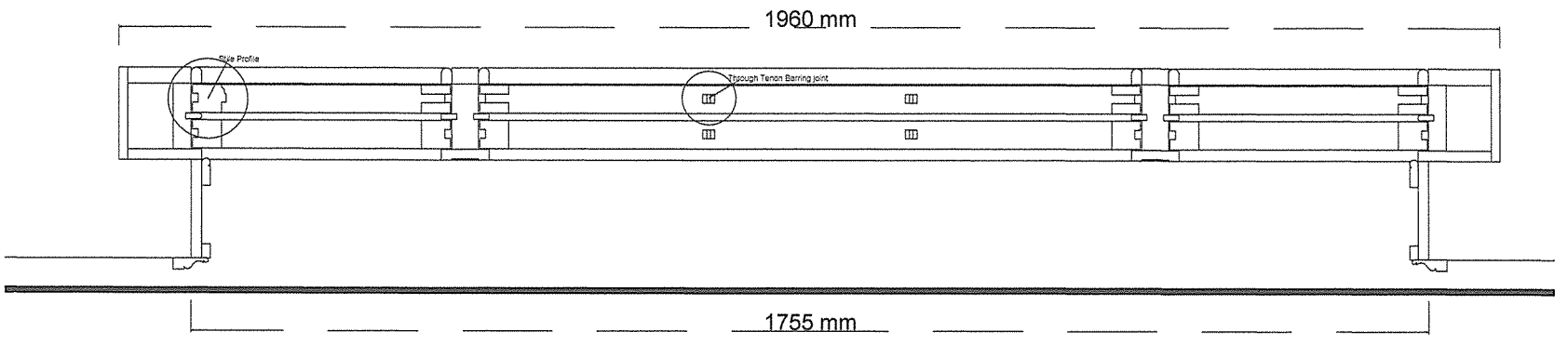
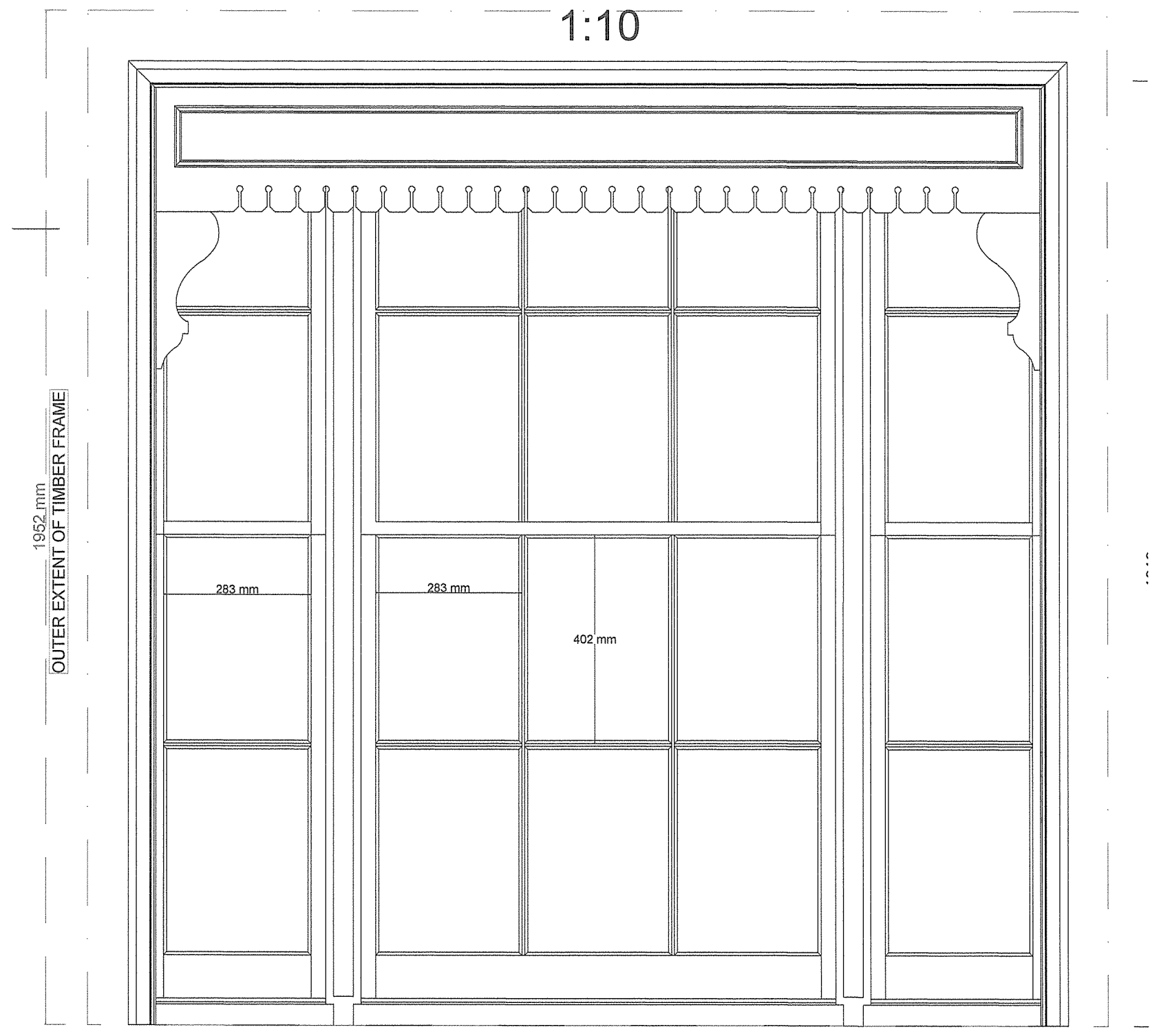
Luard Conservation Limited 67 Sellons Avenue London NW10 4HJ 07973 741 117		The Elms, Fitzroy Park, Highgate, London	
TITLE Window EW/F.14		SIZE A3	REV
SCALE	CAGE CODE	DWG NO EFD-018	SHEET



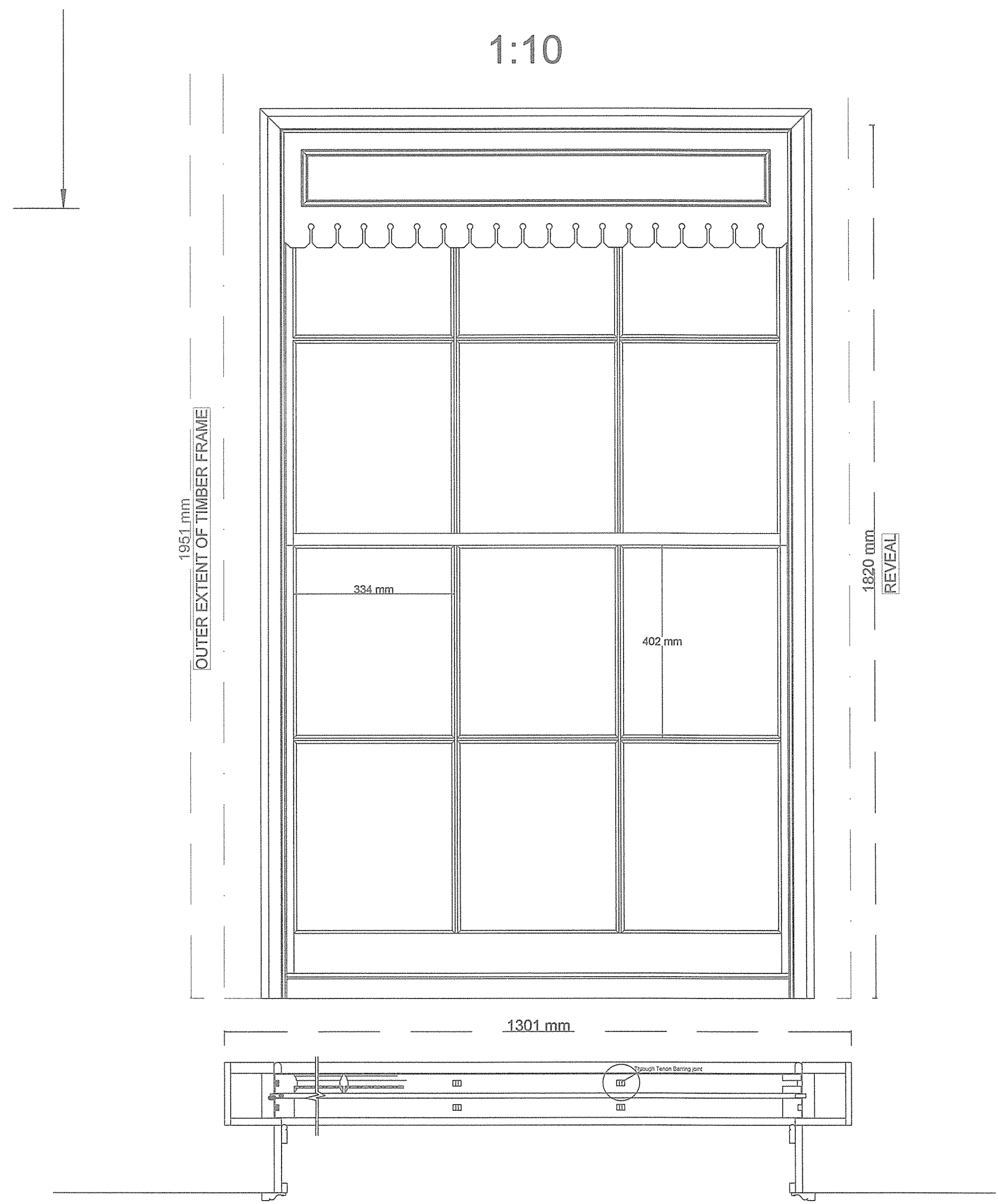
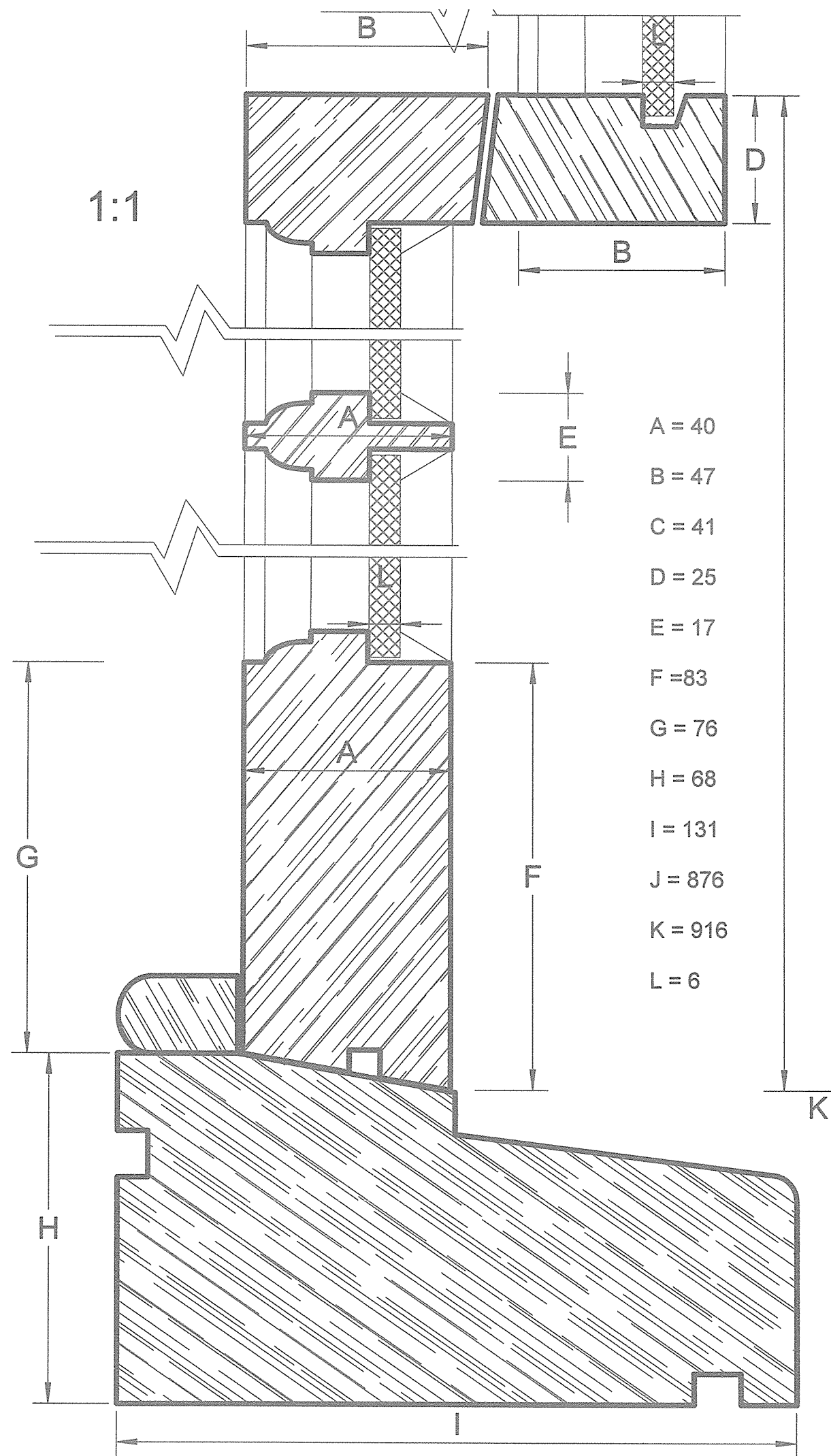
Luard Conservation Limited 67 Sellons Avenue London NW10 4HJ 07973 741 117		The Elms, Fitzroy Park, Highgate, London		
TITLE Window EW/F.15		SIZE A3	DWG NO EFP-019	REV
SCALE		SHEET		



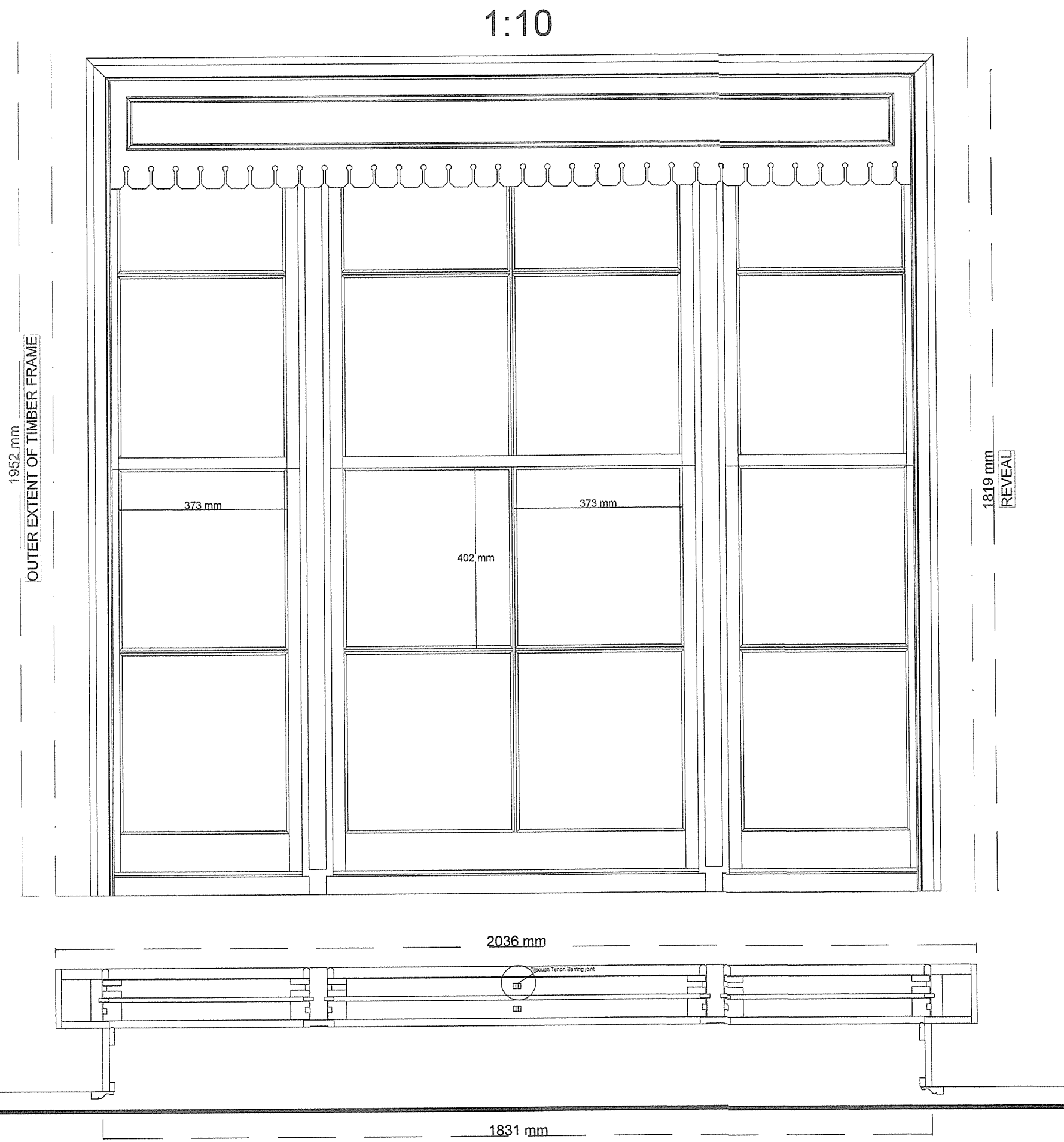
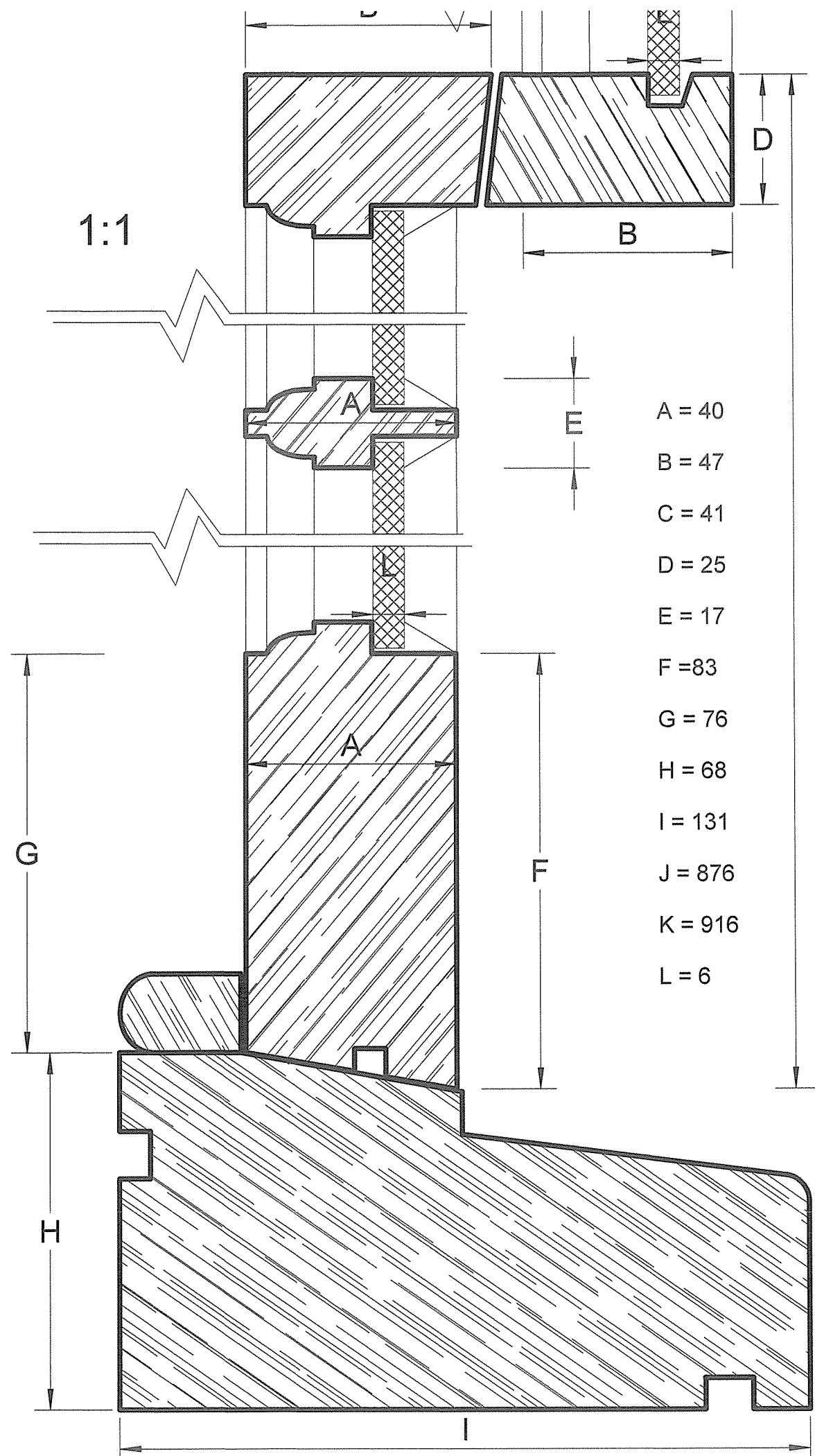
- A = 40
- B = 47
- C = 41
- D = 25
- E = 17
- F = 83
- G = 76
- H = 68
- I = 131
- J = 876
- K = 916
- L = 6



Luard Conservation Limited 67 Sellons Avenue London NW10 4HJ 07973 741 117		The Elms, Fitzroy Park, Highgate, London	
TITLE Window EW/F.16		SIZE A3	DWG NO EFP-020
SCALE		SHEET	



Luard Conservation Limited 67 Sellons Avenue London NW10 4HJ 07973 741 117		The Elms, Fitzroy Park, Highgate, London	
TITLE		Window EW/F.17	
SIZE A3	CAGE CODE	DWG NO EFP-021	REV
SCALE	SHEET		



Luard Conservation Limited 67 Sellons Avenue London NW10 4HJ 07973 741 117		The Elms, Fitzroy Park, Highgate, London	
TITLE Window EW/F.18		SIZE A3	CASE CODE
SCALE		DWG NO EFP-022	REV
		SHEET	