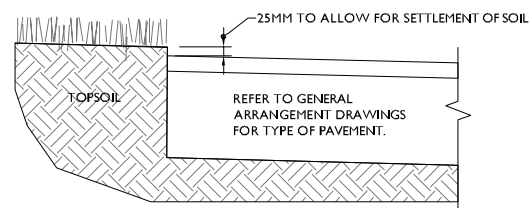
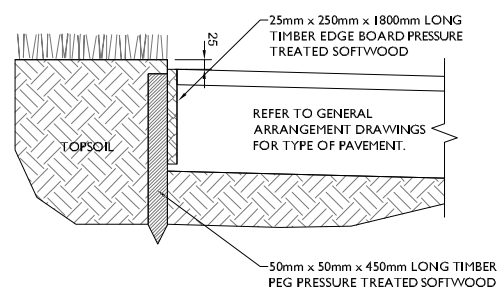


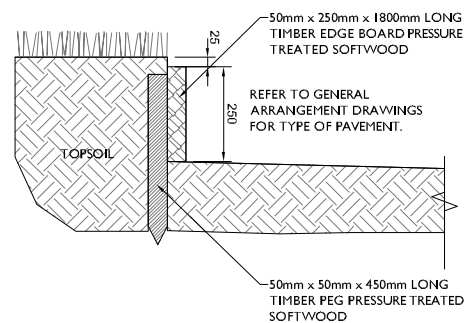
0 10 100
millimetres



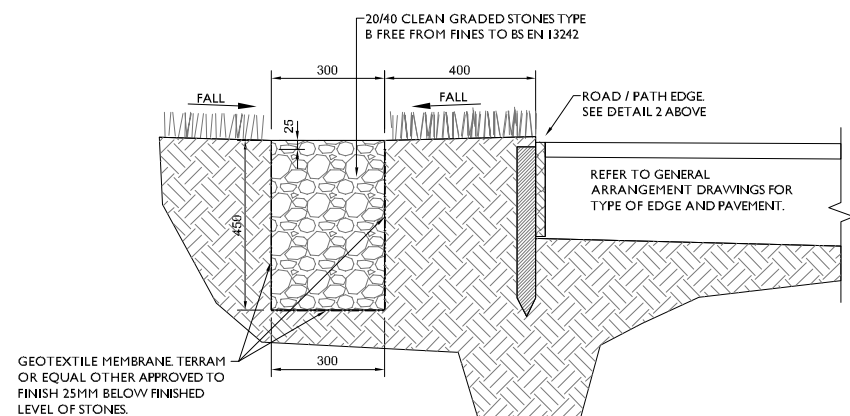
1 TYPE 1 EDGE - SOIL
SCALE 1: 10



2 TYPE 2 EDGE - TIMBER
SCALE 1: 10



3 TYPE 3 EDGE - TIMBER
SCALE 1: 10



4 FRENCH DRAIN
SCALE 1: 10

SAFETY, HEALTH AND ENVIRONMENTAL INFORMATION

In addition to the hazards/risks normally associated with the types of work detailed on this drawing, note the following:

CONSTRUCTION

MAINTENANCE/CLEANING

DECOMMISSIONING/DEMOLITION

It is assumed that all works will be carried out by a competent contractor working, where appropriate, to an approved method statement.

NOTES

- ALL DIMENSIONS ARE IN MILLIMETRES.
- EXCAVATION TO BE EXTENDED TO SOUND MATERIAL IF DIRECTED BY THE ENGINEER TO BE BACKFILLED WITH TYPE 1 SUB-BASE MATERIAL.
- HERBICIDE SUITABLE FOR USE NEXT TO WATERWAYS TO BE APPLIED EVENLY ON FORMATION AREAS OF PAVED AREAS. IT SHALL BE NON-POISONOUS TO HUMAN BEINGS, ANIMALS AND INSECTS.

Rev.	Date	Description	By	CHKD	App'd
C1	20/02/2015	FOR CONSTRUCTION	IF	AW	LB
P2	31/10/2014	FOR COSTING	IF	AW	LB
P1	09/09/2014	FOR COSTING	IF	AW	LB

Drawing Status: **FOR CONSTRUCTION** Substability: **A**

ATKINS Woodcote Grove
Ashley Road
Epsom
Surrey
KT18 5BW
Tel: +44 (0)1372 726140
Fax: +44 (0)1372 740055
Copyright © Atkins Limited (2013) www.atkinsglobal.com

Client: **City of London Corporation**

Project Title: **HAMPSTEAD HEATH PONDS PROJECT**

Drawing Title: **HARD LANDSCAPE DETAILS
TYPICAL EDGE DETAILS**

Scale	Designed	Drawn	Checked	Authorised
1:10	AW	IF	NM	LB
Original Size	Date	Date	Date	Date
A1	30/07/2014	30/07/2014	30/07/2014	30/07/2014

Drawing Number: **5117039-ATK-ZZ-ZZ-DR-L-7501** Revision: **C1**