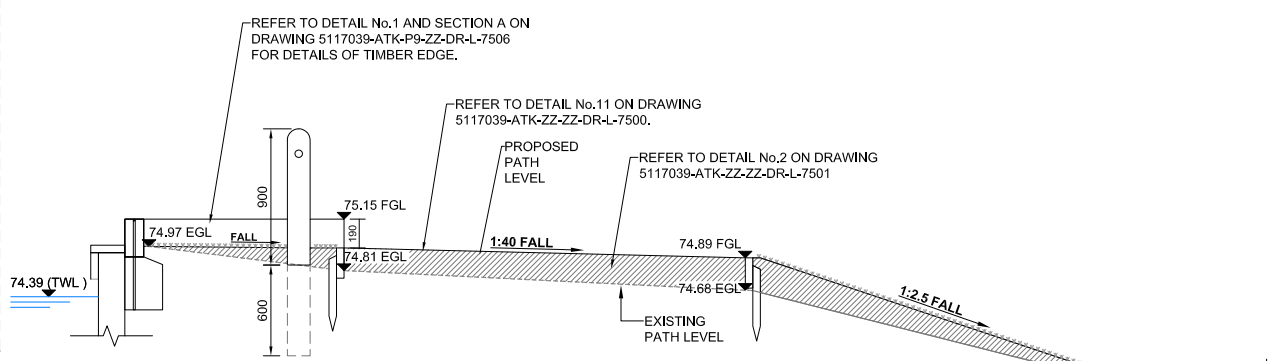
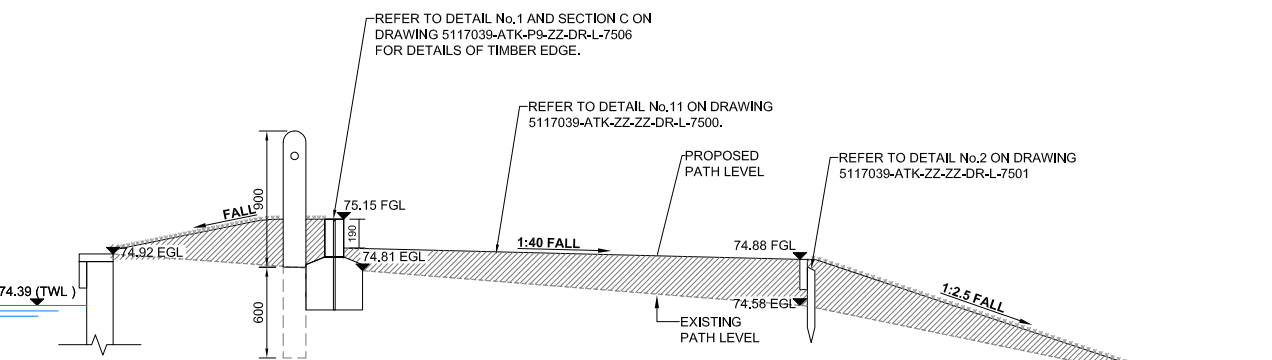


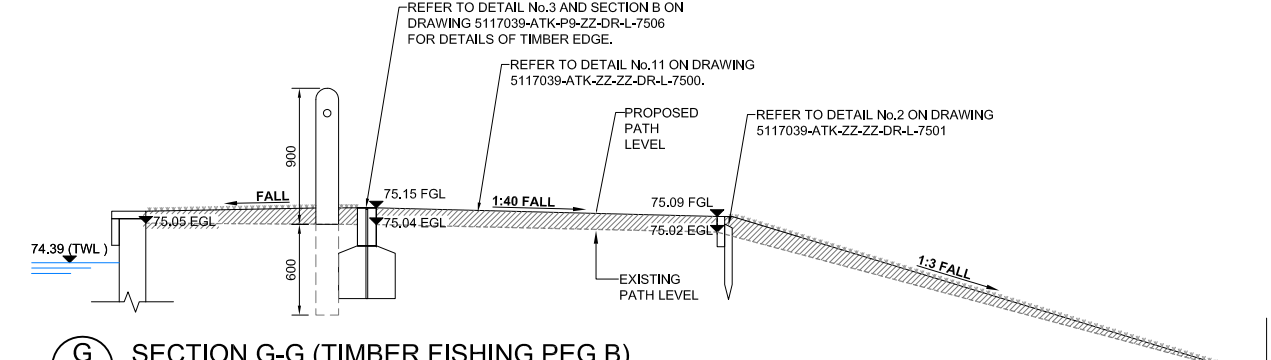
1 LOCATION PLAN
SCALE 1: 250



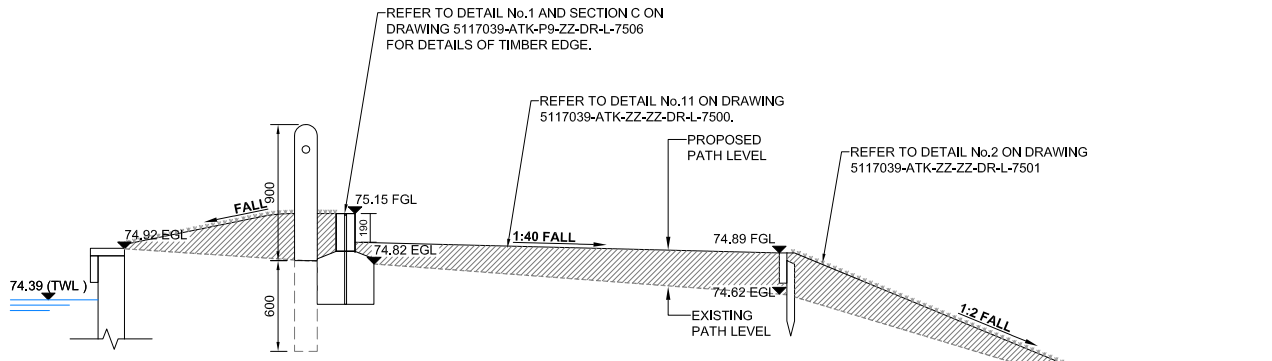
F SECTION F-F (TIMBER FENCING PEG A)
SCALE 1: 25



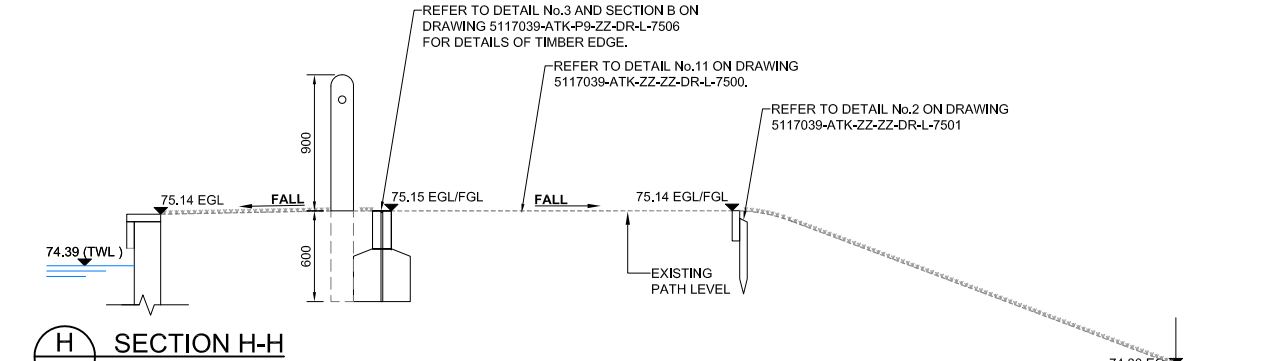
D SECTION D-D
SCALE 1: 25



G SECTION G-G (TIMBER FISHING PEG B)
SCALE 1: 25



E SECTION E-E
SCALE 1: 25



H SECTION H-H
SCALE 1: 25

SAFETY, HEALTH AND ENVIRONMENTAL INFORMATION

In addition to the hazards/risks normally associated with the types of work detailed on this drawing, note the following:

CONSTRUCTION

- GAS AND ELECTRICITY SERVICES TO BE DIVERTED. THE GAS MAIN IS AN OLD CAST IRON PIPE WHICH CAN'T BE SUPPORTED IN A TRENCH.
- THE POND RETAINED BY THE EMBANKMENT IS A LARGE RAISED RESERVOIR UNDER THE RESERVOIRS ACT 1975.
- WATER LEVEL IN THE POND MAY RISE RAPIDLY DURING AND AFTER RAINFALL.
- RAISED WATER LEVELS IN THE POND MAY INCREASE GROUNDWATER LEVELS DOWNSTREAM, WHICH COULD AFFECT EXCAVATIONS DOWNSTREAM OF THE DAM.
- FLOODING RISK - SCOUR PIPE TO BE UNBLOCKED BEFORE CULVERT WORKS BEGIN.
- RISK OF DISEASE AND ANIMAL BITES - AREA AROUND THE PROPOSED INLET IS FREQUENTED BY DOGS.
- RISK TO DAM, STRUCTURES OR PEOPLE FROM WEAKENED TREES FALLING OVER - TREE FELLING AND EXPOSURE OF ROOTS TO BE SUPERVISED BY AN ARBORICULTURIST. SIGNIFICANT LOSS OF ROOT AREA (AROUND 40% AND ABOVE) MAY REQUIRE LOAD TESTING OF TREE.
- EXISTING DAM AND SHEET PILES SHOULD NOT BE OVERLOADED - PLANT LOADS SHOULD BE LESS THAN 10 TONNES.

MAINTENANCE/CLEANING

- THE INLET STRUCTURE WILL BE A CONFINED SPACE SO ACCESS SHOULD INVOLVE A SAFE METHOD OF WORKING.
- THE NEW CULVERTS ARE TOO SMALL FOR MAN ACCESS SO WILL REQUIRE CCTV SURVEY TO INSPECT THEM.
- WATER LEVEL IN THE POND MAY RISE RAPIDLY DURING AND AFTER RAINFALL.

DECOMMISSIONING/DEMOLITION

- THE CULVERT OVERFLOW SHOULD NOT BE DEMOLISHED UNTIL AN ALTERNATIVE SPILLWAY WITH THE SAME HYDRAULIC CAPACITY IS INSTALLED.
- DOWNSTREAM FLOOD RISK MAY INCREASE IF THE DAM IS REMOVED.

It is assumed that all works will be carried out by a competent contractor working, where appropriate, to an approved method statement

NOTES

1. ALL DIMENSIONS ARE IN MILLIMETRES.
2. EXCAVATION TO BE EXTENDED TO SOUND MATERIAL IF DIRECTED BY THE ENGINEER TO BE BACKFILLED WITH TYPE 1 SUB-BASE MATERIAL.
3. HERBICIDE SUITABLE FOR USE NEXT TO WATERWAYS TO BE APPLIED EVENLY ON FORMATION AREAS OF PAVED AREAS, IT SHALL BE NON-POISONOUS TO HUMAN BEINGS, ANIMALS AND INSECTS.

Rev.	Date	Description	By	Chkd	Apprd
C1	20/02/2015	FOR CONSTRUCTION	GJB	AW	MW
P1	31/10/2014	FOR COSTING	LJ	AW	LB

FOR CONSTRUCTION **A**

ATKINS
Woodcote Grove
Ashley Road
Epsom
Surrey
KT18 5BW
Tel: +44 (0)1372 726140
Fax: +44 (0)1372 740055
www.atkinsglobal.com

Client
City of London Corporation

Project Title
HAMPSTEAD HEATH PONDS PROJECT

Drawing Title
**HAMPSTEAD NO.2 POND
HARD LANDSCAPE DETAILS
SHEET 9 OF 11**

Scale	Designed	Drawn	Checked	Authorised
AS SHOWN	AW	LJ	NM	LB
Original Size	Date	Date	Date	Date
A1	29/08/2014	29/08/2014	29/08/2014	29/08/2014

Drawing Number: **5117039-ATK-P9-ZZ-DR-L-7508** Revision: **C1**