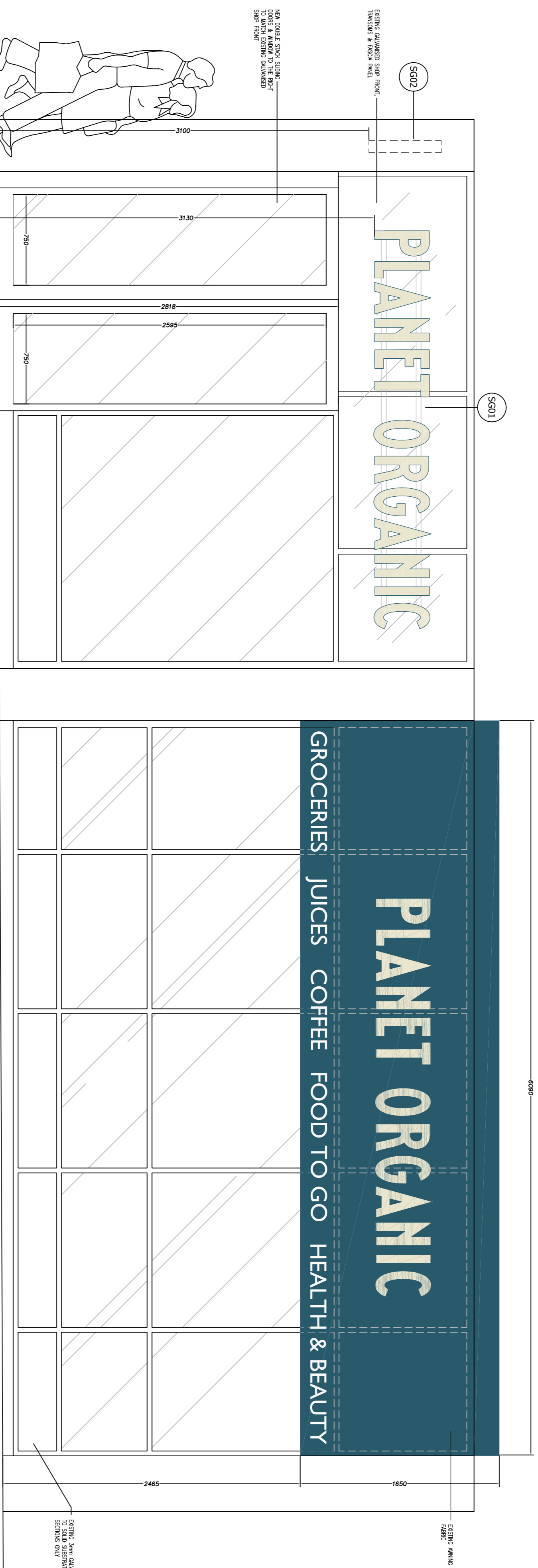
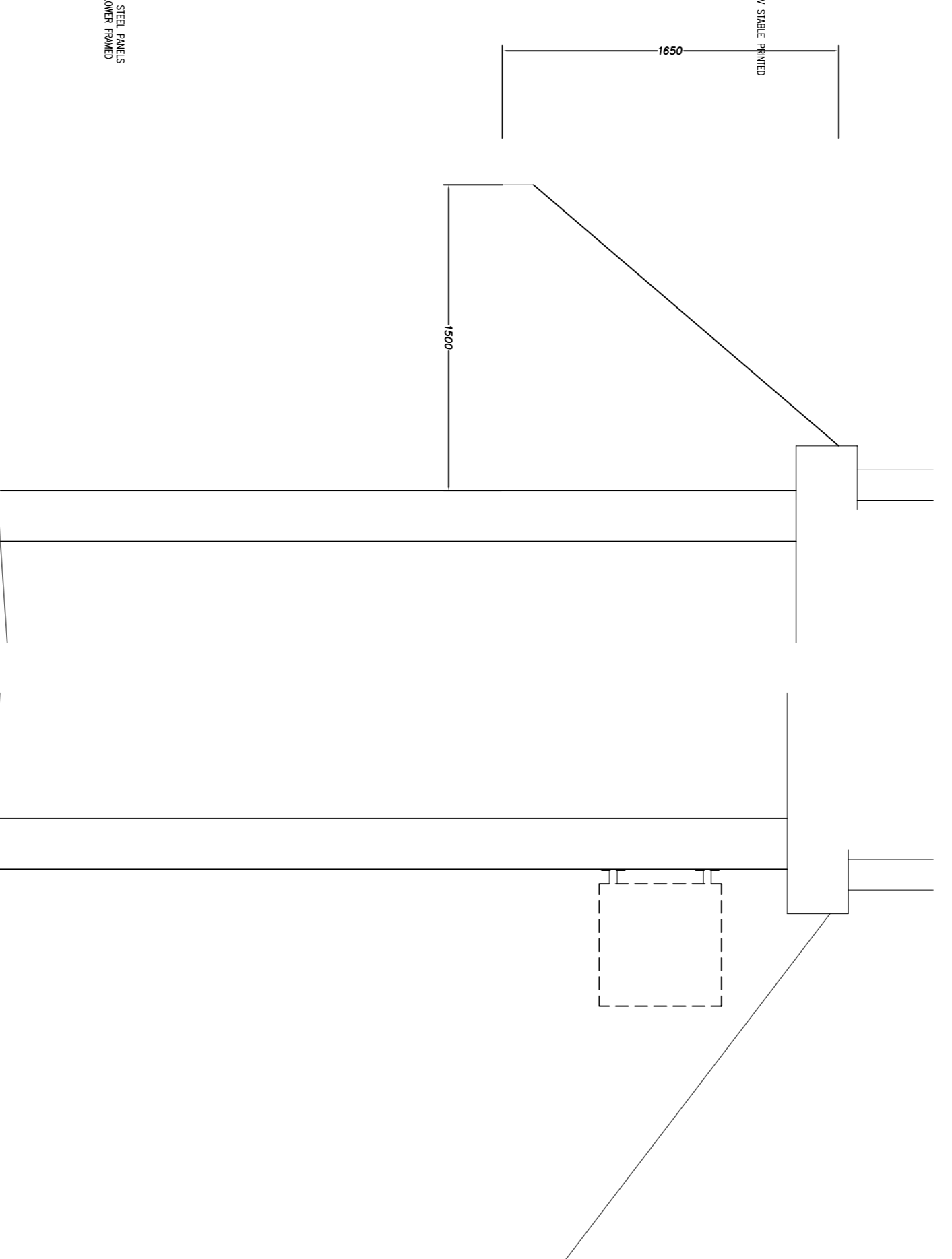


Shopfront Plan As Proposed | Scale 1:25@A1

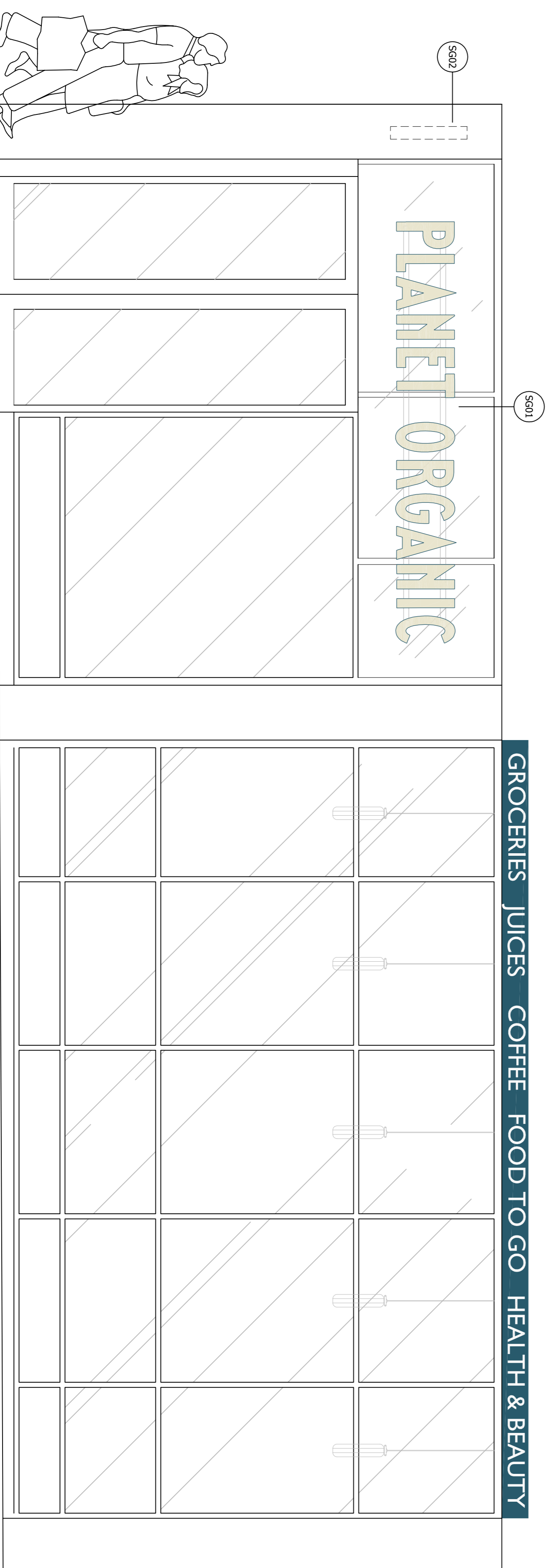


Shopfront Elevation As Proposed [Awning Extended] | Scale 1:25@A1

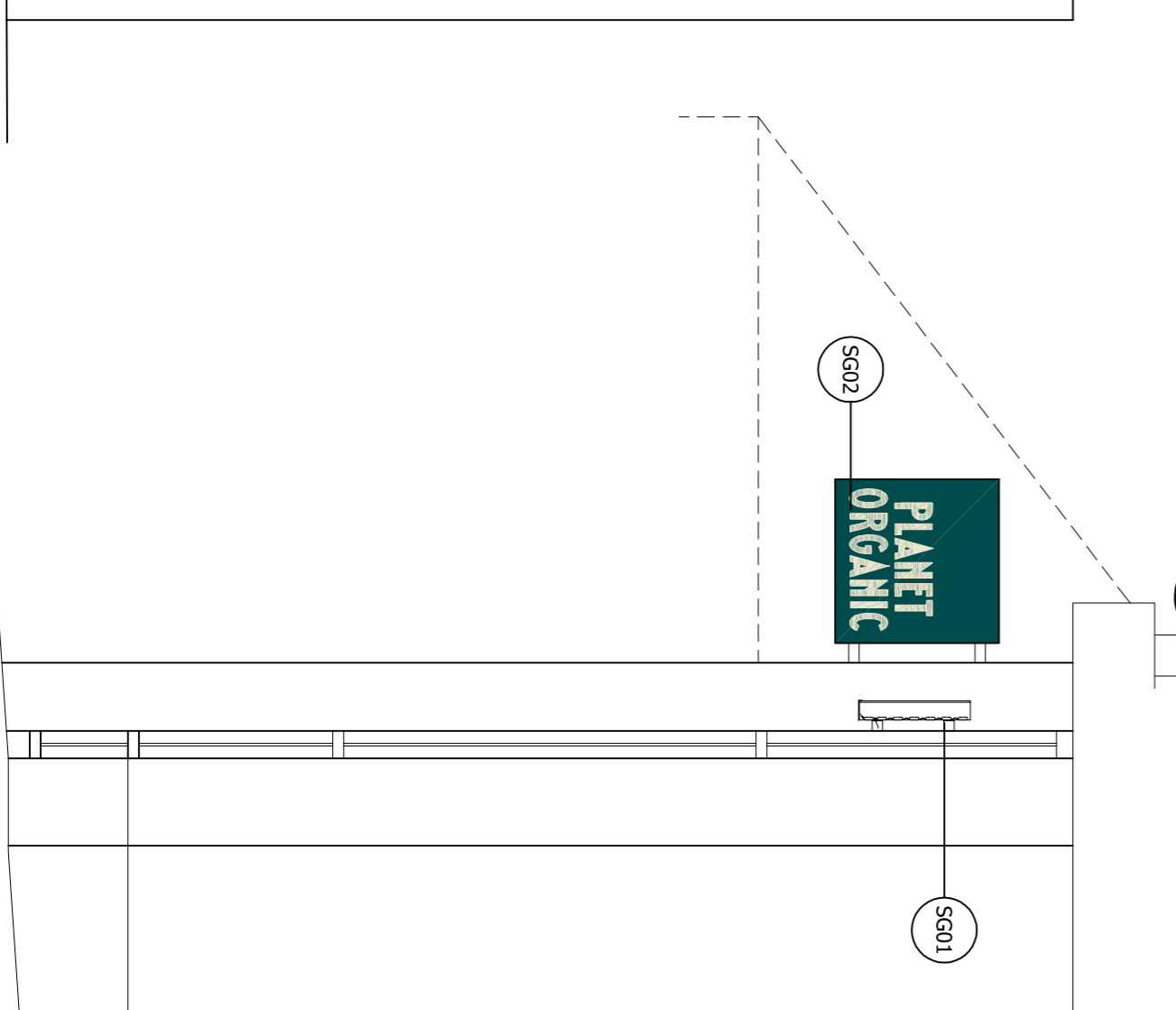


RHS Elevation
Scale 1:25@A1

LHS Elevation
Scale 1:25@A1



Shopfront Elevation As Proposed [Awning Retracted] | Scale 1:25@A1



Shopfront Section
Scale 1:25@A1

REV	DATE	DETAILS

PROJECT	PLANET ORGANIC
PROJECT	TORRINGTON PLACE
DRAWING TITLE	SHOP FRONT AS PROPOSED
DRAWN BY	SM
DATE	MAR 15
DRAWING NUMBER	6061-11
SCALE	1:25@A1
PAPER SIZE	A1

	A01@DESIGNITME.COM WWW.DESIGNITME.CO.UK
TEL: +44 (0)1845 823 826	33A CAULS LANE LINDSAY, LE12 7JN