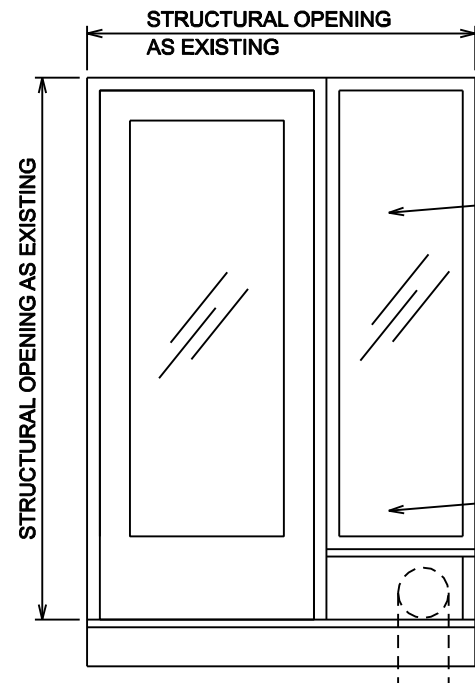
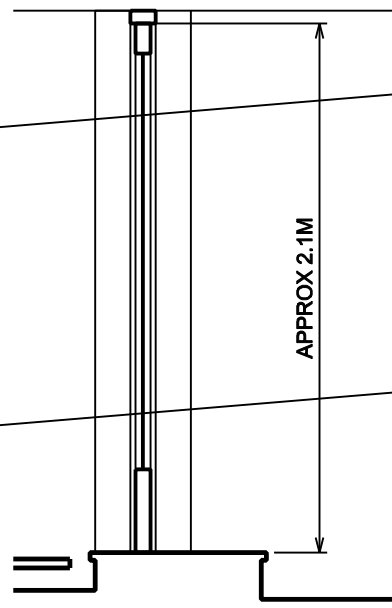


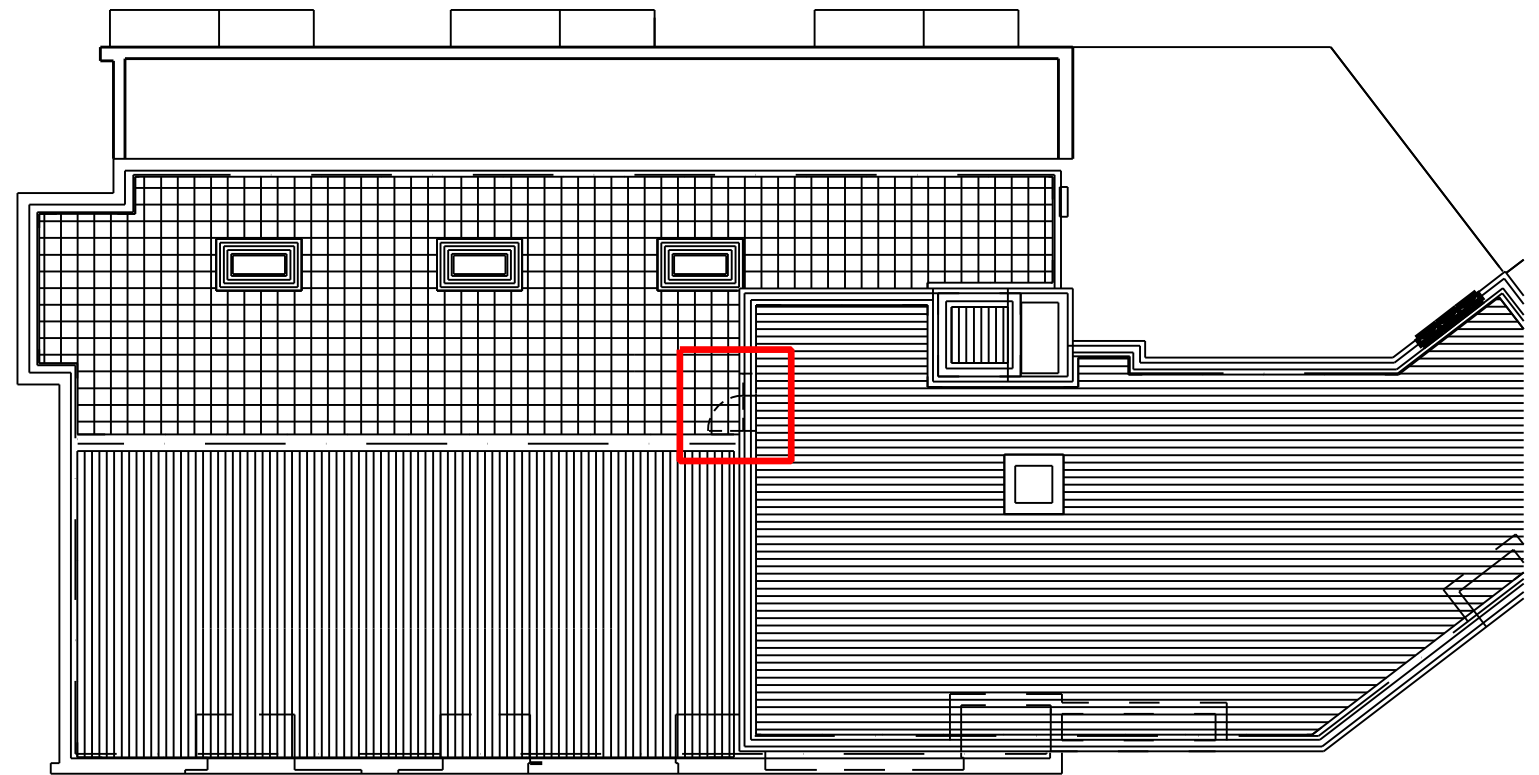
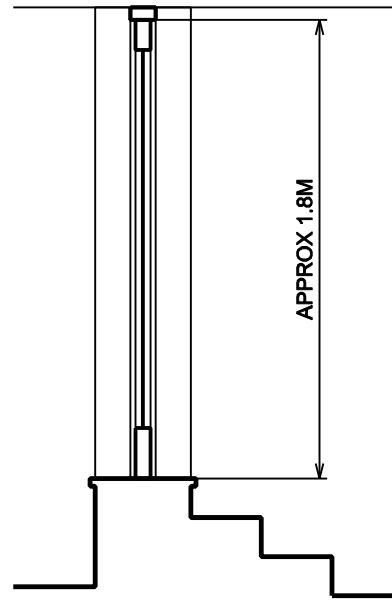
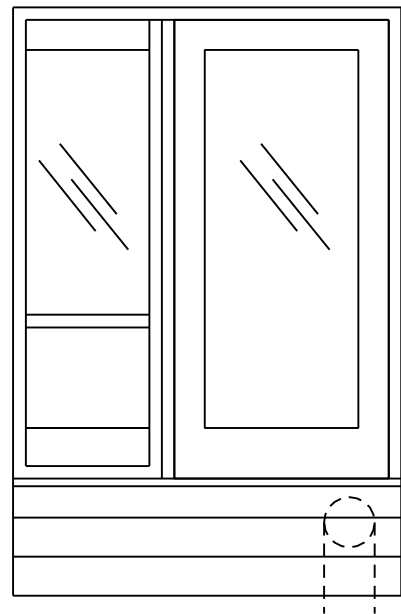
\*DOOR CANNOT BE SEEN FROM PUBLIC REALM OR SURROUNDING PROPERTIES



PROPOSED DOOR ELEVATION



PROPOSED DOOR SECTION



Revisions:			Revisions:		
Suffix	Date	Drawn by	Suffix	Date	Drawn by

**NON-MATERIALS AMENDMENT**

Job Name:  
22 24 ST PANCRAS WAY  
LONDON NW1 09Y

Drawing Title:  
NON MATERIAL AMENDMENT : BLOCK A ROOF TERRACE DOOR  
EXISTING/PROPOSED PLANS AND SECTIONS

Scale: NTS@A3    Date: 02/2015    Drawn: RM    Checked: PW

Job Ref:    Drawing number: AL(00)34    Revision: -

4TH FLOOR, SOPHIA HOUSE  
32-34 FEATHERSTONE STREET, LONDON, EC1Y 2BJ  
TEL: 020 7250-0090    FAX: 020 7250-0993  
www.europeanurban.com

