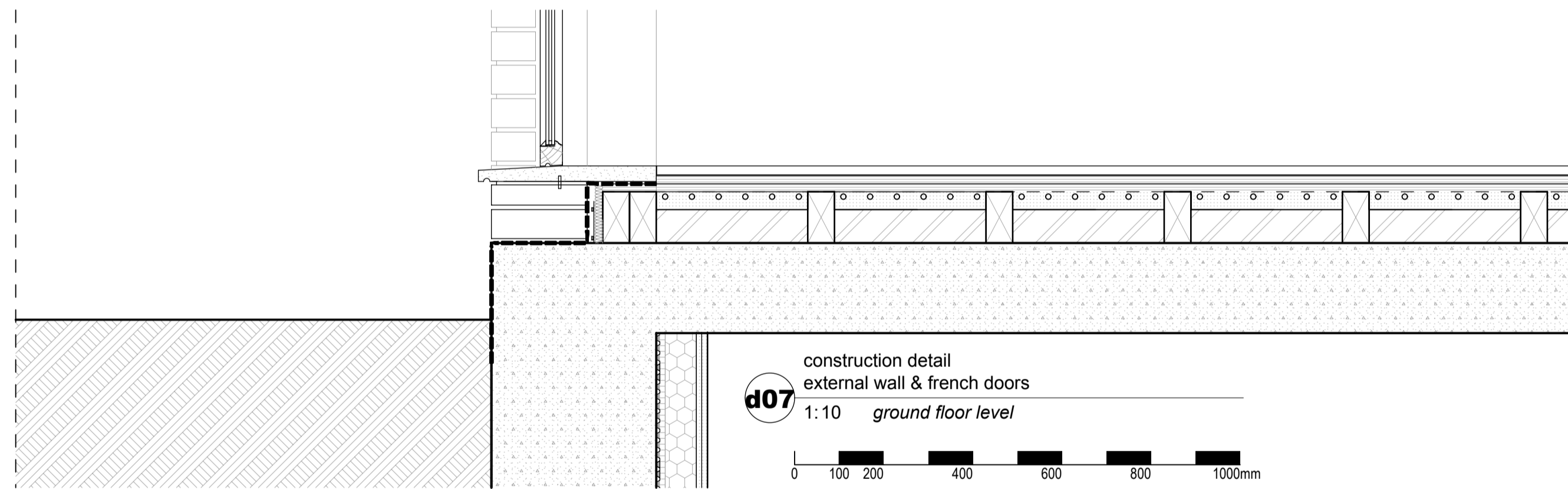
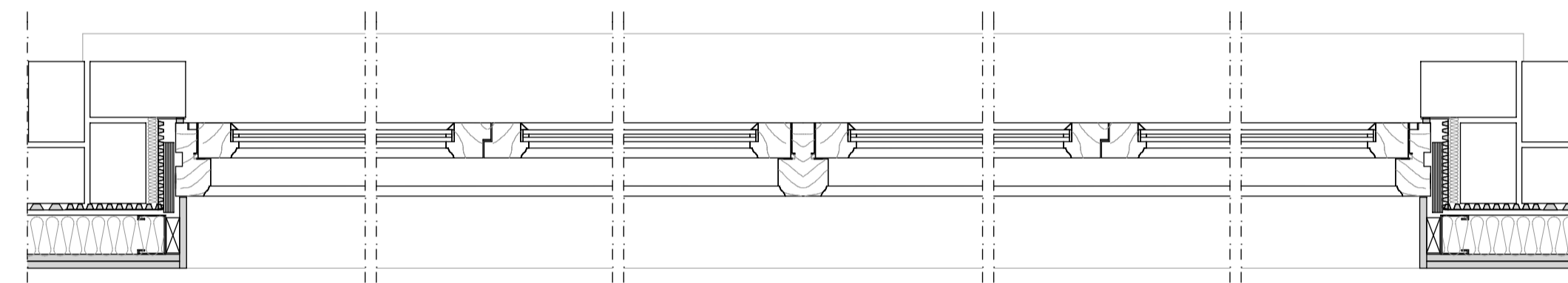


d06 construction detail
external wall rear facade
1:10 first floor slab



d07 construction detail
external wall & french doors
1:10 ground floor level

0 100 200 400 600 800 1000mm



d06 construction detail
external wall rear facade
1:10 horizontal section

0 100 200 400 600 800 1000mm

NOTES
1. This drawing must not be scaled
2. The contractor is to check all dimensions on site

dwg type construction works

dwg status F - production information

Sacks Maguire Architects
155A Regents Park Road tel 020 7722 9298
London NW1 8BB fax 020 7586 9059

Project
56 Elsworth Road, London NW3 3BU

Client
Mr Lasha Papashvili

Title
french doors rear facade

scale see each drw | drawn MF | date 13/03/2015

job number drawing number issue
477 STR 019 ·p