

German Gym Luminaire Specification Summary



Luminaire A:

Area Used: Façade Window Reveal

Manufacturer: KKDC

Luminaire: SIL

Type: Surface Mounted (see notes below)

Power: 3.79W

Control Protocol: Integral Non-dimmable (see notes below)

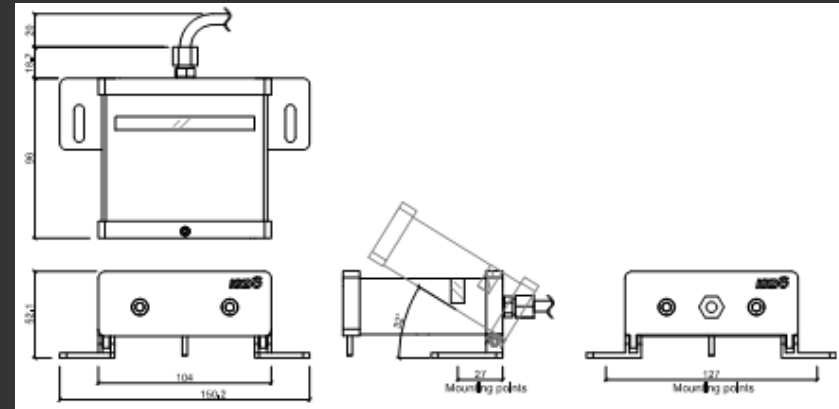
Material:

IP Rating: IP65

Beam Angles: 23° by 124°

Colour Temperature (°K): 2800K

Other: Black/Silver anodised end caps. New model is being released with dimming capability next year; this will have slightly larger dimensions. Bracket arms can be replaced with smaller clips.



German Gym Luminaire Specification Summary



Luminaire B:

Area Used: Façade Archway

Manufacturer: 4D Lighting (ACDC)

Luminaire: Q

Type: Floor Recessed LED

Power: 1 x 2.5W (Using 700mA Driver)

Control Protocol: Non-integral 1-10V (IP67 Control Gear)

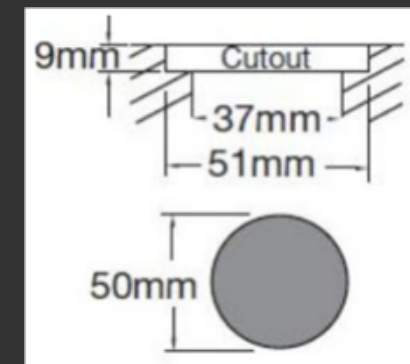
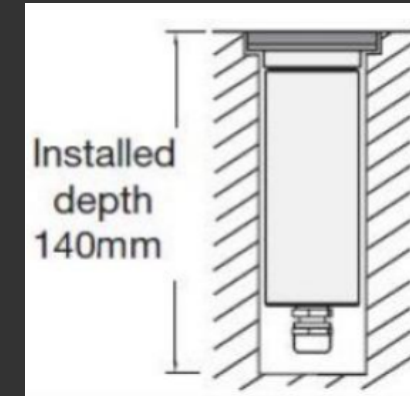
Material: Die cast aluminium

IP Rating: IP67

Beam Angles: 18°

Colour Temperature (°K): 2700K

Other: Clear black



German Gym Luminaire Specification Summary



Luminaire C:

Area Used: Dormer Window

Manufacturer: 4D Lighting (Meyer)

Luminaire: Ecoline

Type: Surface Mounted LED

Power: 15 x 3W

Control Protocol: Integral 1-10V

Material: Extruded and die cast aluminium

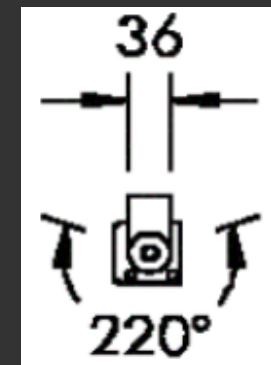
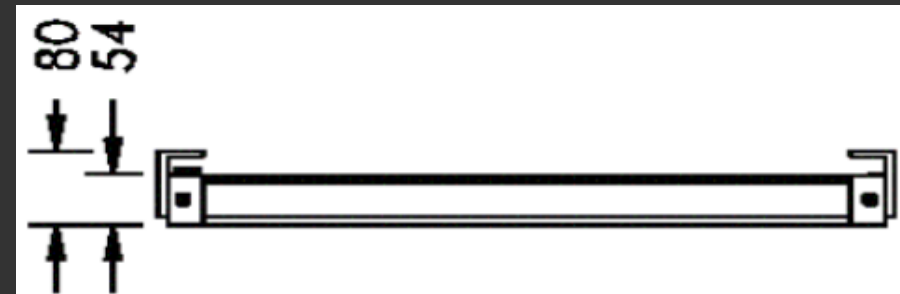
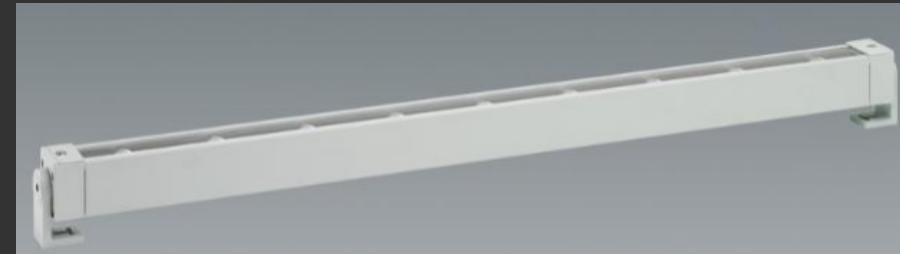
IP Rating: IP65

Beam Angles: 10°

Colour Temperature (°K): 2700K (special request)

Other: Lengths TBA

Accessories: Mounting arm



German Gym Luminaire Specification Summary



Luminaire F:

Area Used: Street Lighting

Manufacturer: WE-EF

Luminaire: PIA 230

Type: Wall Mounted HIT-CE

Power: 35W

Control Protocol: Integral on/off

Material: Marine grade die-cast aluminium body

IP Rating: IP66

Beam Angles: 30° +/- Tilting

Colour Temperature (°K): N/A

Other: Rearward cut-off shield with G12 Base

