

# Templewood Avenue

## External Lighting

### Fittings Booklet

PTL 473

pritchardthemis ltd.

Issue 01

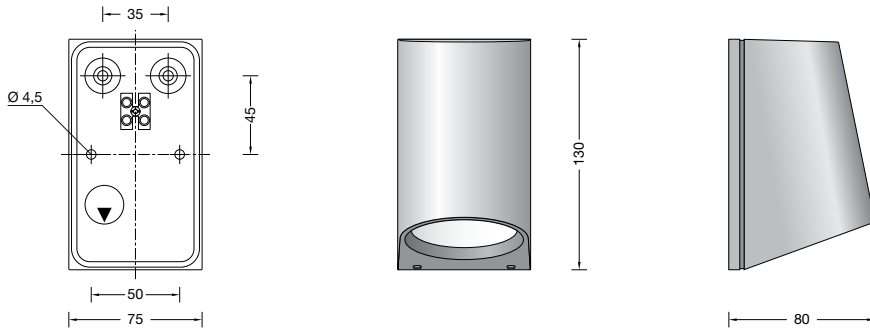
January 2015

# Fittings Book

PTL 473

Templewood Avenue - External Lighting

---



---

Fitting Ref: XA

Fitting Type: Bega - Surface mounted LED luminaire

Page Date: 09.01.15

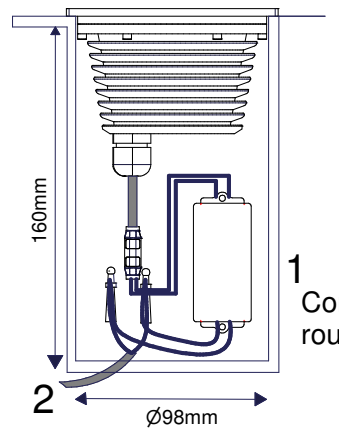
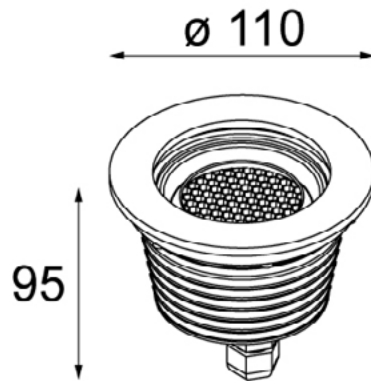
Fitting Book No: 1

# Fittings Book

PTL 473

Templewood Avenue - External Lighting

---



---

Fitting Ref: XB

Fitting Type: Modular - Ground recessed LED uplight

Page Date: 09.01.15

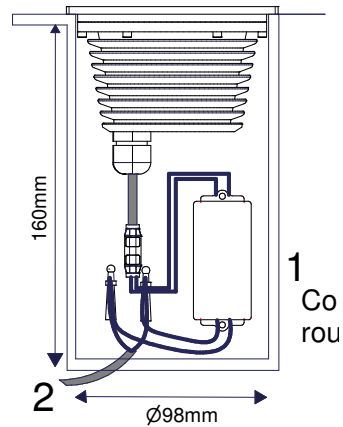
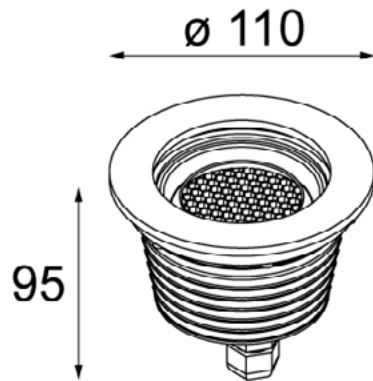
Fitting Book No: 1

# Fittings Book

PTL 473

Templewood Avenue - External Lighting

---



---

Fitting Ref: XC

Fitting Type: Modular - Ground recessed LED uplight

Page Date: 09.01.15

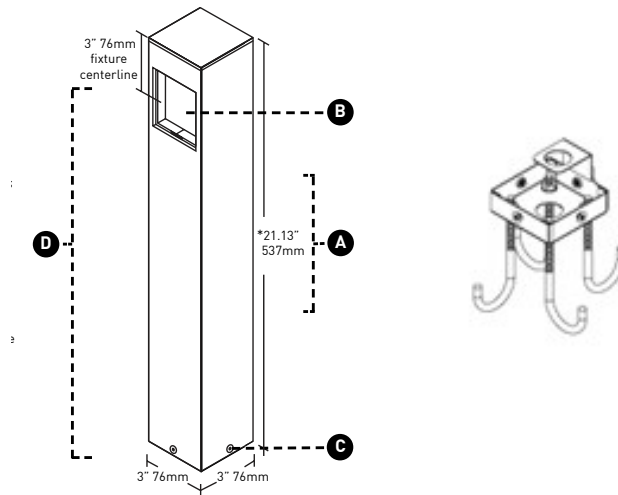
Fitting Book No: 1

# Fittings Book

PTL 473

Templewood Avenue - External Lighting

---



---

Fitting Ref: XD

Fitting Type: Lucifer - Bollard mounted LED luminaire

Page Date: 09.01.15

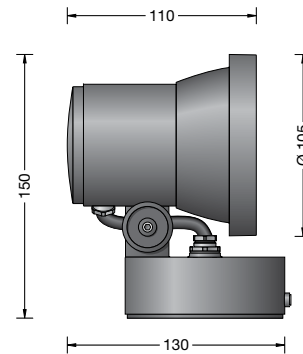
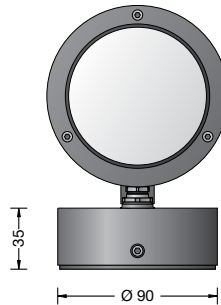
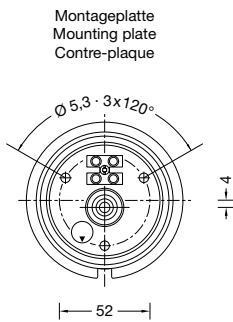
Fitting Book No: 1

# Fittings Book

PTL 473

Templewood Avenue - External Lighting

---



---

Fitting Ref: XF

Fitting Type: Bega - Tree mounted adjustable LED projector

Page Date: 09.01.15

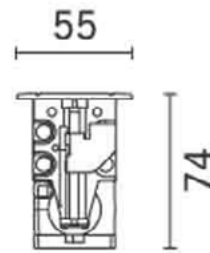
Fitting Book No: 1

# Fittings Book

PTL 473

Templewood Avenue - External Lighting

---



---

Fitting Ref: XG

Fitting Type: iGuzzini - Linear ground recessed LED luminaire

Page Date: 09.01.15

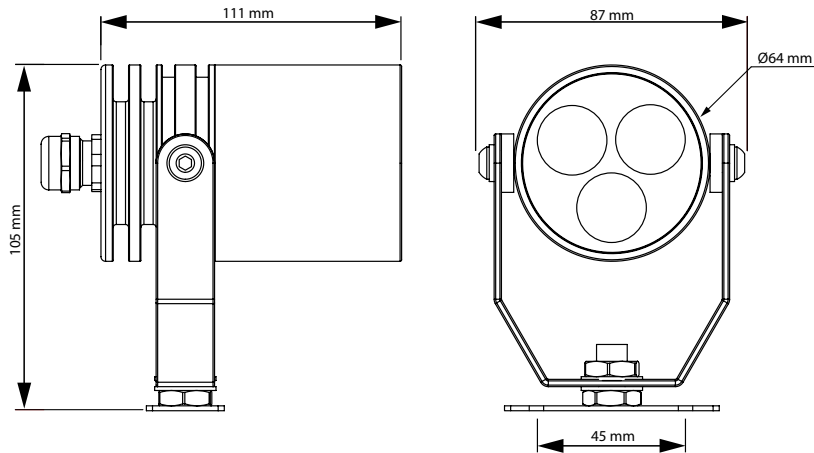
Fitting Book No: 1

# Fittings Book

PTL 473

Templewood Avenue - External Lighting

---



---

Fitting Ref: XH

Fitting Type: Light Projects - Adjustable LED luminaire

Page Date: 09.01.15

Fitting Book No: 1

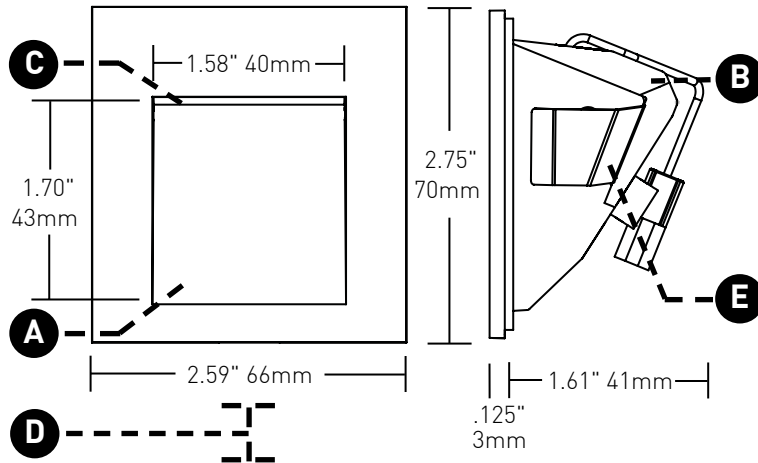


# Fittings Book

PTL 473

Templewood Avenue - External Lighting

---



---

Fitting Ref: XM

Fitting Type: Lucifer Lighting - Wall recessed LED luminaire

Page Date: 09.01.15

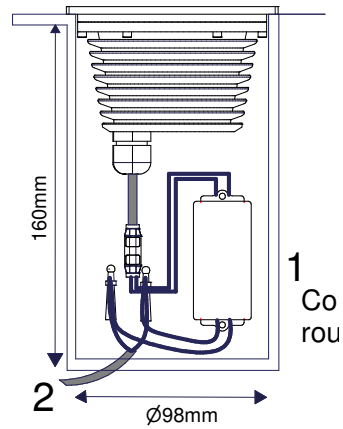
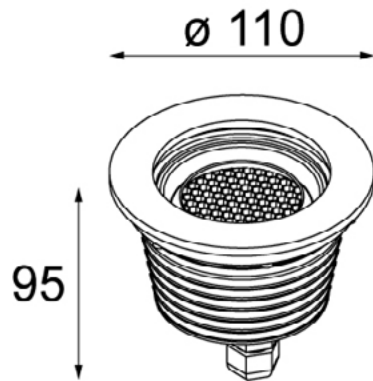
Fitting Book No: 1

# Fittings Book

PTL 473

Templewood Avenue - External Lighting

---



---

Fitting Ref: XN

Fitting Type: Modular - Ground recessed LED uplight

Page Date: 09.01.15

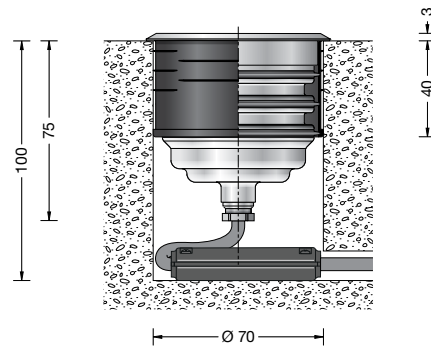
Fitting Book No: 1

# Fittings Book

PTL 473

Templewood Avenue - External Lighting

---



---

Fitting Ref: XP

Fitting Type: Bega - Inground LED marker light

Page Date: 09.01.15

Fitting Book No: 1

# Fittings Book

PTL 473

Templewood Avenue - External Lighting

---

# BY OTHERS

---

Fitting Ref: XQ

Fitting Type: IP-rated 13 Amp sockets by others

Page Date: 09.01.15

Fitting Book No: 1