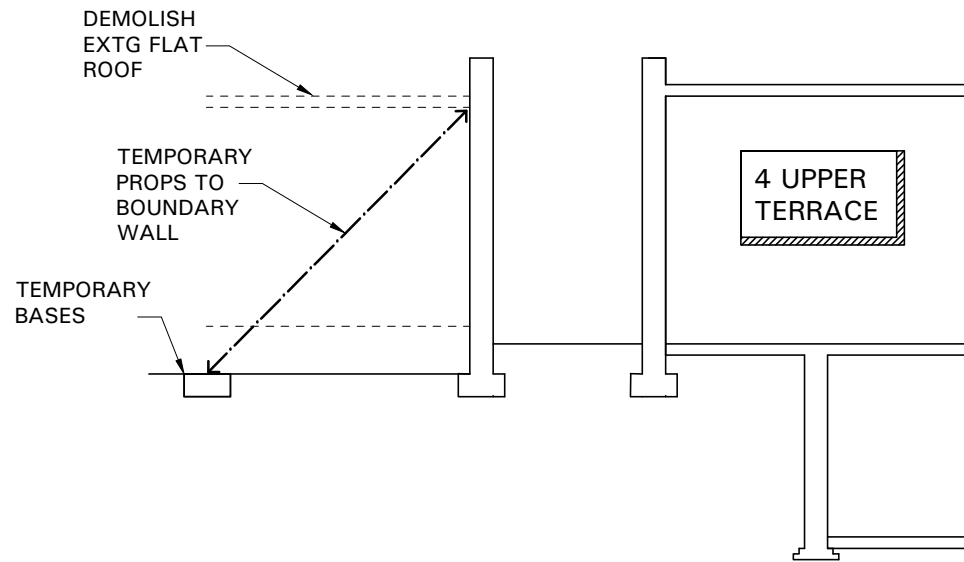


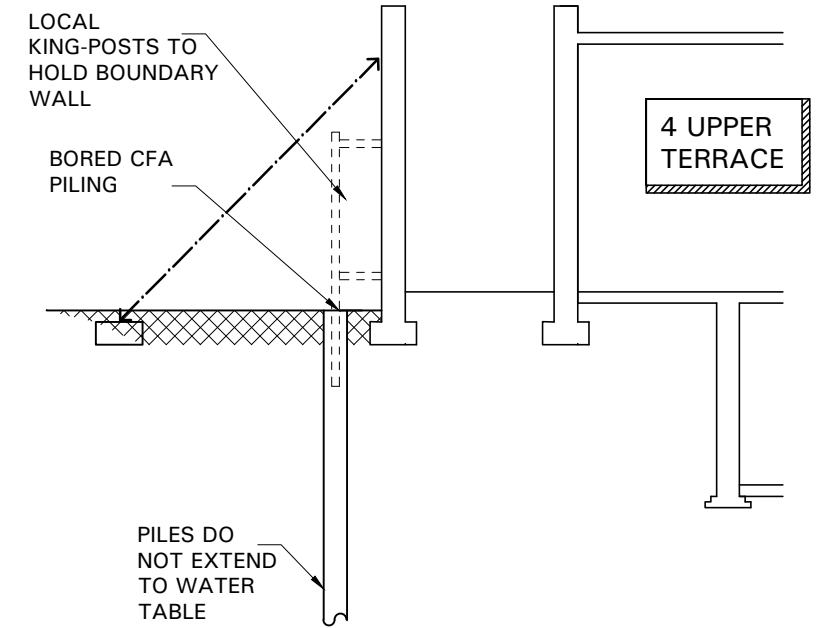
GWL  
126.8

EXISTING X-SECTION



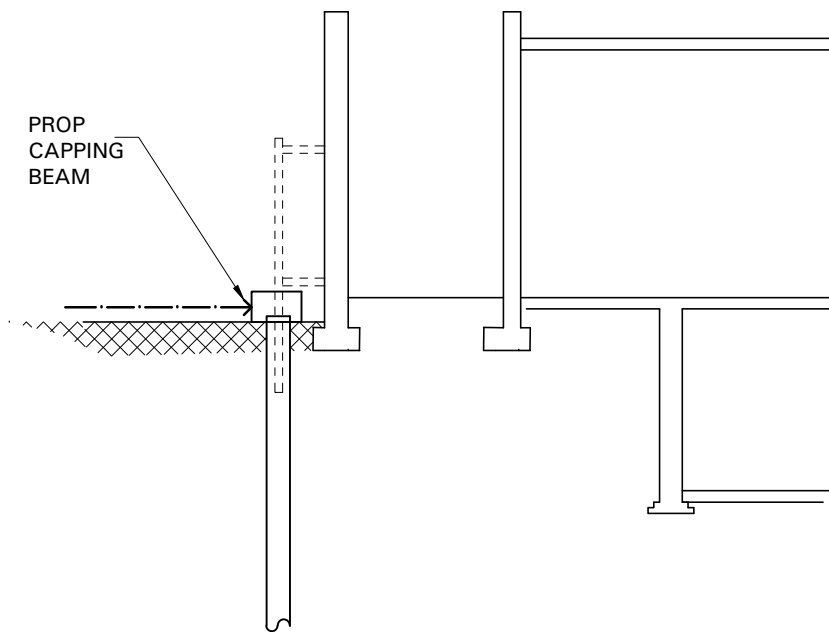
GWL  
126.8

STAGE 1 - DEMOLITION



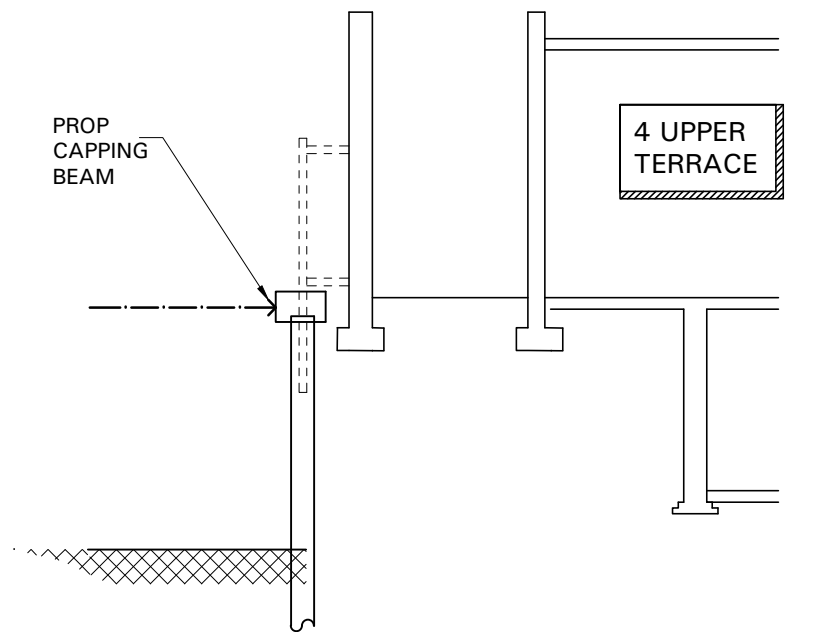
GWL  
126.8

STAGE 2 - PILING



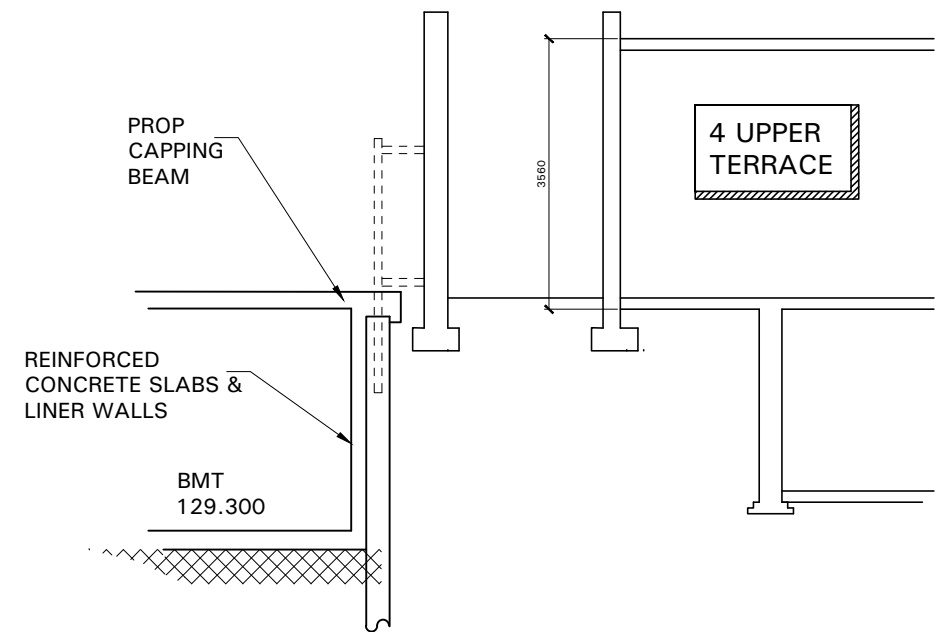
GWL  
126.8

STAGE 3 - TEMPORARY PROPPING



GWL  
126.8

STAGE 3 - REDUCED DIG



GWL  
126.8

STAGE 4 - COMPLETION OF BASEMENT

F:\Projects\6000 - 6999\6036 - Capo Di Monte, Windmill Hill, London NW3 6JU\11 Drawings\11.3 MBP\AutoCAD\capo.dwg USER: Julian Birch FILE SIZE = 2.59

				Job <b>CAPO DI MONTE WINDMILL HILL LONDON NW3</b>			Title <b>CONSTRUCTION SEQUENCE BOUNDARY WITH 4 UPPER TERRACE</b>		<b>MBP Michael Barclay Partnership</b> consulting engineers 105-109 Strand London WC2R 0AA <b>T</b> 020 7240 1191 <b>F</b> 020 7240 2241 <b>E</b> london@mbp-uk.com www.mbp-uk.com		
Scale		Date		By		Checked		Drawing Number		Revision	
1:100@A3		FEB 15		AJB		-		6036 / 311		P1	
P1 FEB 15 PRELIMINARY ISSUE Rev Date Description				Status <b>PRELIMINARY</b>							