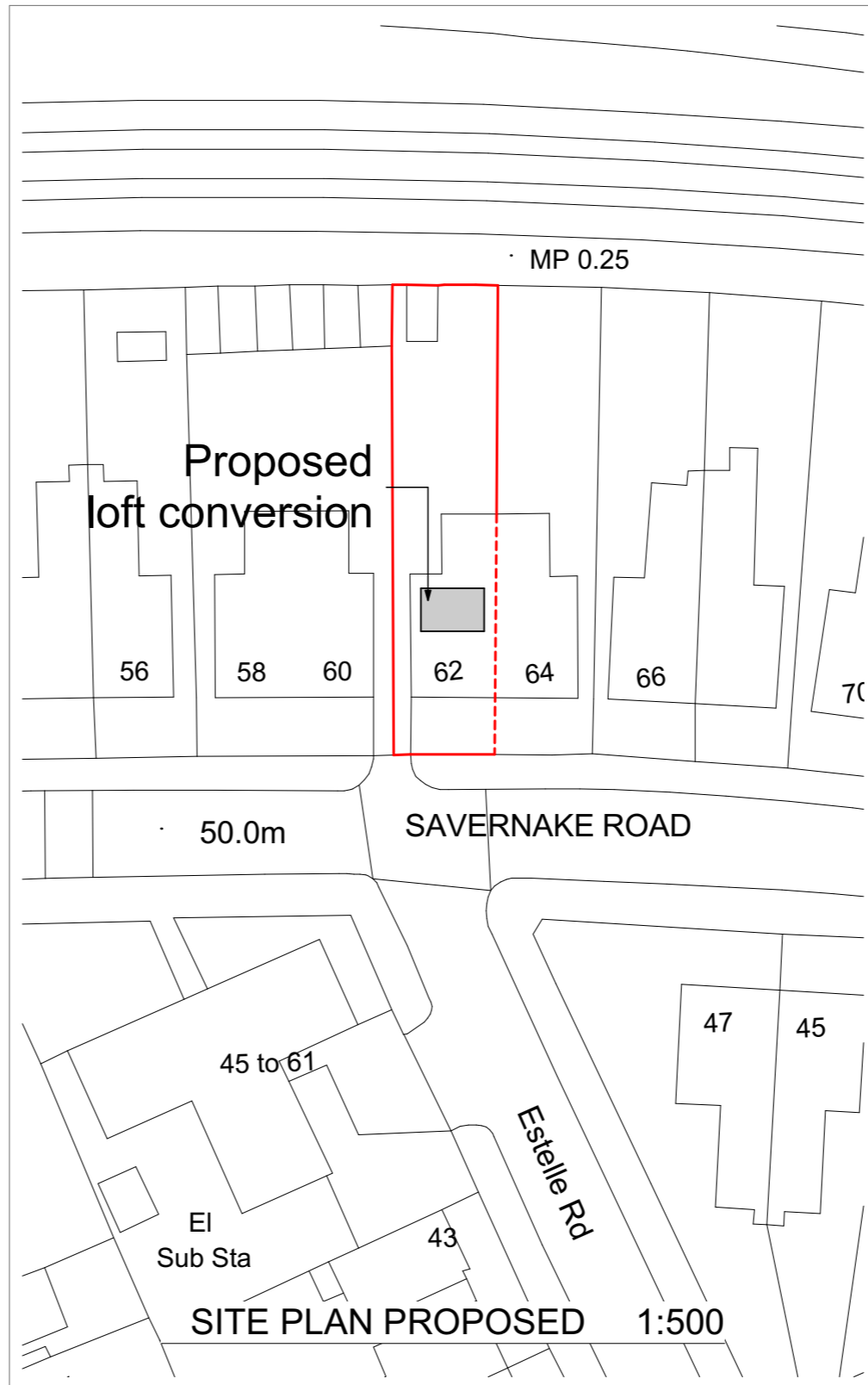
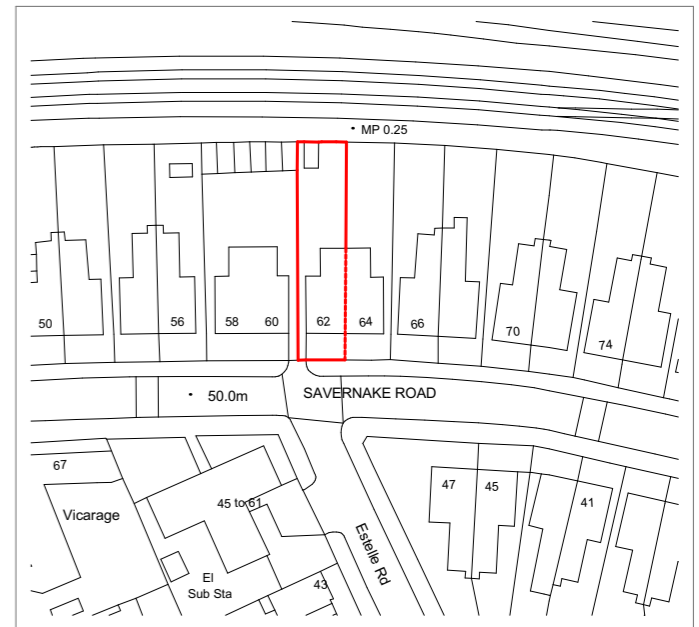
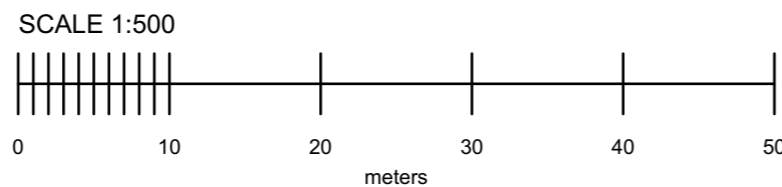


**SITE PLAN EXISTING 1:500**

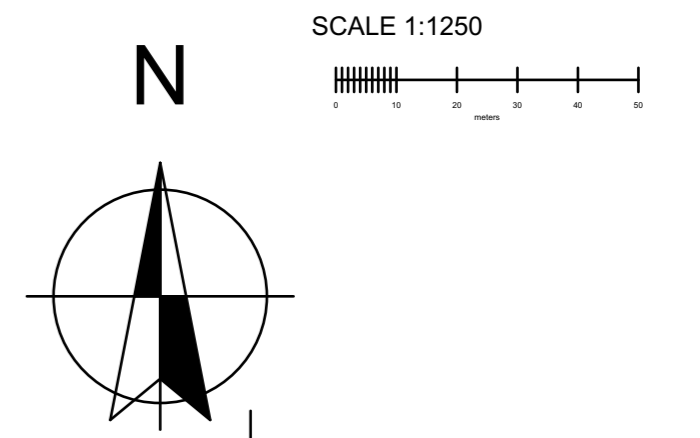


**SITE PLAN PROPOSED 1:500**

KEY —— SITE BOUNDARY



**SITE LOCATION PLAN 1:1250**



REVISION HISTORY	CODE	DATE

**SOUTH LONDON LOFTS**  
 LOFT CONVERSION SPECIALISTS  
 www.southlondonlofts.co.uk

36-38 OLD DEVONSHIRE ROAD,  
 BALHAM, LONDON SW12 9RB  
 t: 020 86733380  
 e: architecture@buildlondon.com  
 www.buildlondon.com

Client  
**COLIN KWAN**

---

Job Title  
**LOFT CONVERSION AND ALTERATIONS TO REAR ELEVATION**

FLAT C 62 SAVERNAKE ROAD, LONDON NW3 2JR

Drawing Title  
**SITE PLAN**

Drawn by	Date	Checked by	Date
PL	MAR' 2015	OM	MAR' 2015

Scale  
 1:500, 1:1250@A3

Drawing Status  
**PLANNING**

Drawing number	Revision
15028-PLN-01	0