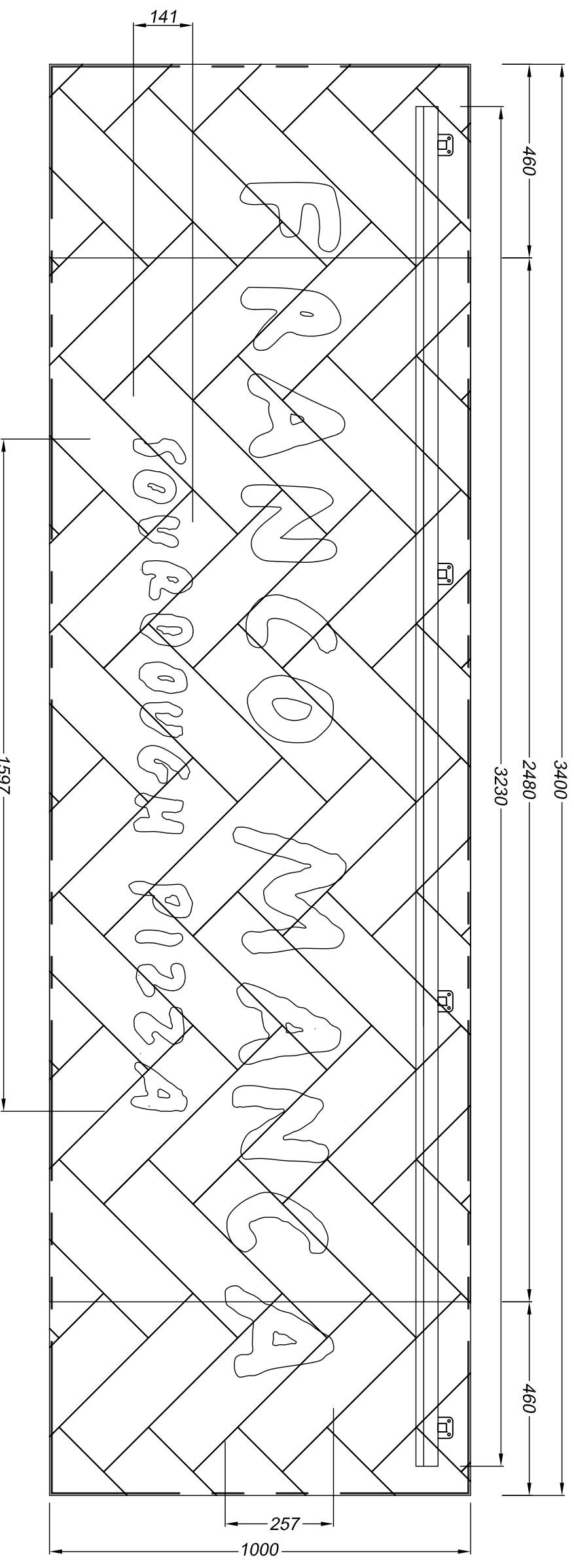
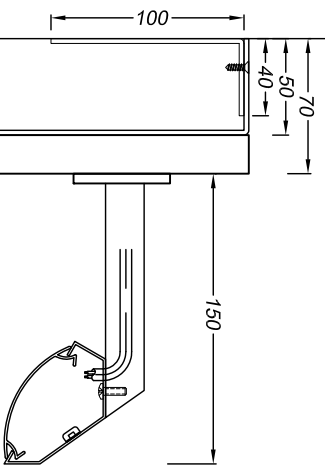


Proposed

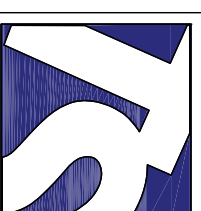


Fascia - 1 off

Existing folded and welded black 2.5mm aluminium trays with the existing 12mm thk timber cladding herringbone planks to be finished off-white Dulux 45yy 83 062.

Signwritten text is burgundy.

Folded and welded 1.2mm descaled stainless steel trough is finished Dulux 45yy 83 062 and is fitted with an opal acrylic snap fit diffuser and low energy white LEDs.



Technical Signs
 Floor 1 - Unit 3
 Hillie Business Centre
 132 St Albans Road
 Watford, Herts, WD2 4AE
 Tel: 01923 811999
 Fax: 01923 811998
 E-mail: info@technicalsigns.co.uk

Client: Franco Manca
 Address/job details:
 216 Haverstock Hill
 London
 NW3 2AE

Proposed Fascia

Job No

Drawn by DN Date 06/03/15

Scale 1:12, 1:4 (A3) Drawing No 469197-2

Rev