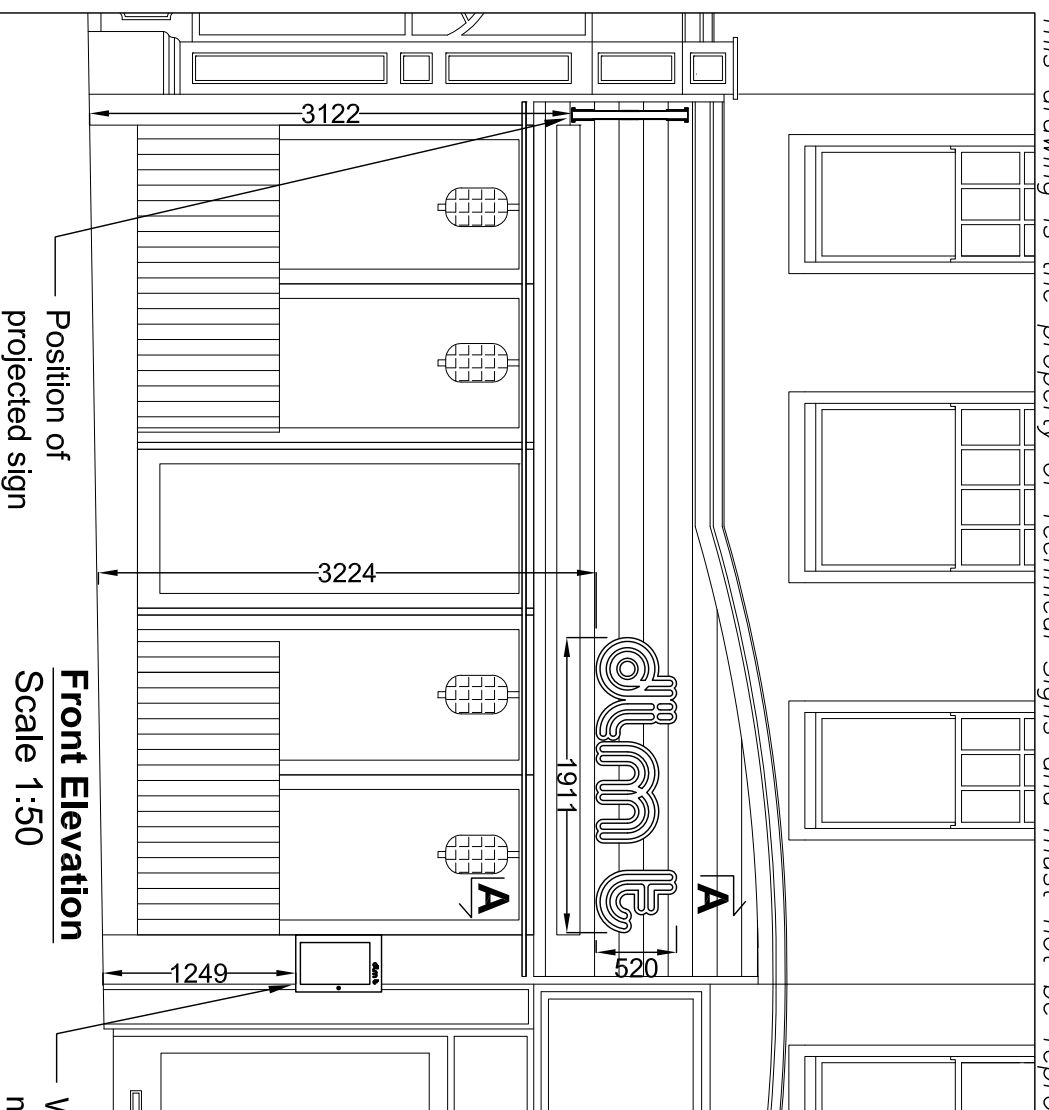


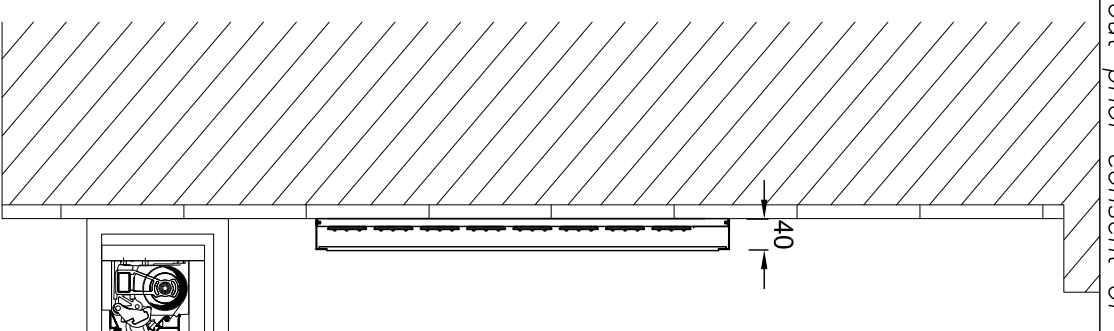
Proposed



Position of projected sign

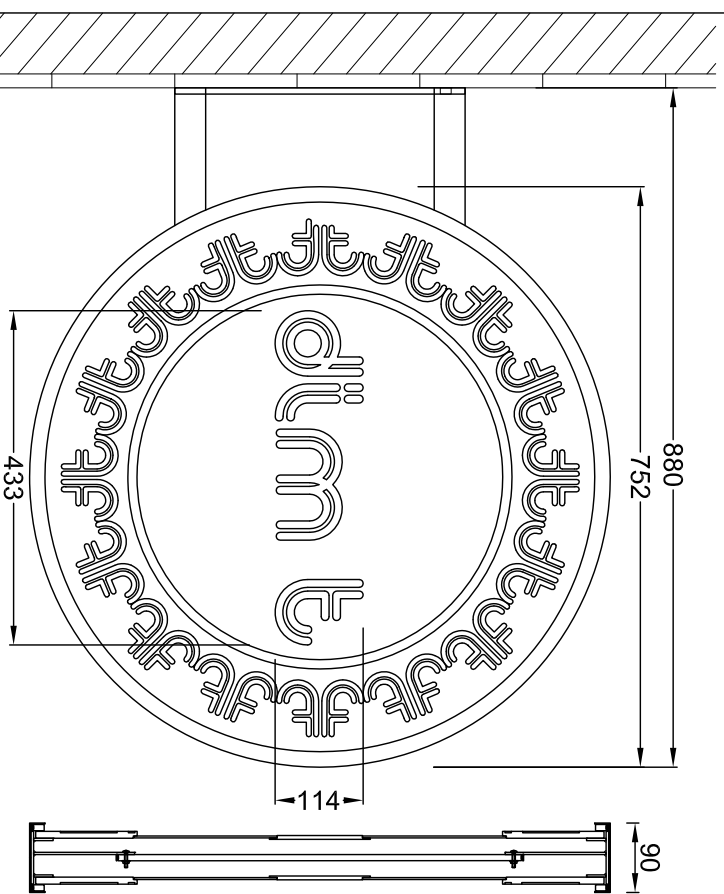
Front Elevation
Scale 1:50

Wall mounted menu



Section A-A through the text
Scale 1:10

Built-up letters have 1.2mm blackened steel faces and returns which have a clear lacquer. Letters have lines fret cut into the face which are fitted with push through 5mm gold acrylic. Backs of the letters are fixed to a fascia which is clad with lacquered panels of slatted timber. The letters are fitted with low energy warm white LEDs for face illumination of the acrylic lines.

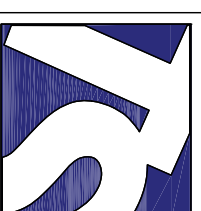
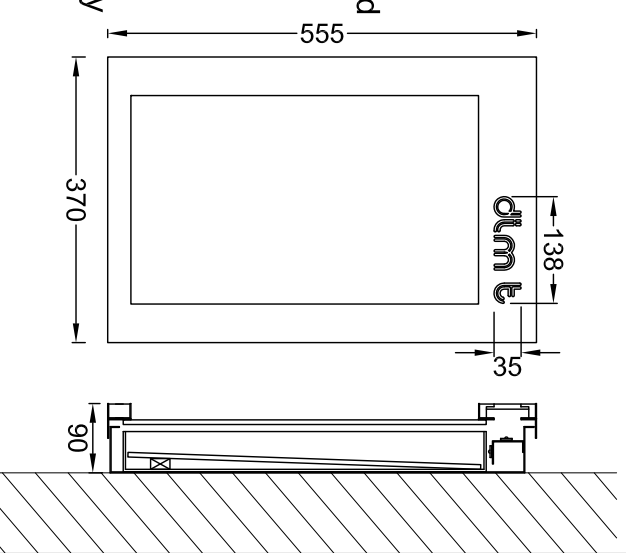


Projected sign - 1 off
Scale 1:10

Mild steel inner frame is covered with an outer frame which has 1.2mm descaled stainless steel returns and face rims which are finished Ardenbrie green gold 3. The rims of this outer frame holds face panels of 9mm black corian. The pattern on the corian faces is engraved and has a Ardenbrie green gold 3 infill. The circle in the centre is cut out of the black corian and is fitted with 2.5mm aluminium panels which are finished black and which have fret cut text with flush inlaid 5mm gold acrylic letters. This text is internally illuminated by low energy white LEDs. The outer frame also extends further out than the corian and is fitted with an opal 030 acrylic diffuser and low energy white LEDs to provide illuminated rings around the faces. The internal steel frame is welded to two 40x40mm SHS projecting arms which are finished Ardenbrie green gold 3. The projecting arms are also welded to a black mild steel wall plate.

Menu - 1 off
Scale 1:10

Folded and welded 1.2mm descaled stainless steel box is finished a brown colour. The face of the menu has a brown metal edge which is filled with 18mm reclaimed timber. Fret cut text has 5mm gold perspex letters. Steel hinge and slam lock. 6mm toughened glass face. Black acrylic menu insert. Internal illumination provided by white LEDs which are fitted in the top recess.



Technical Signs
Floor 1 - Unit 3
Hille Business Centre
132 St Albans Road
Watford, Herts, WD24 4AE
Tel: 01923 811999
Fax: 01923 811998
E-mail: info@technicalsigns.co.uk

Client: Dilm T	Address/location details: 3 Heath Street Hampstead NW3 6TP
Job No	Proposed Signs
Drawn by DN	Date 03/03/15
Scale As specified (A3)	Drawing No 470403-2
	Rev