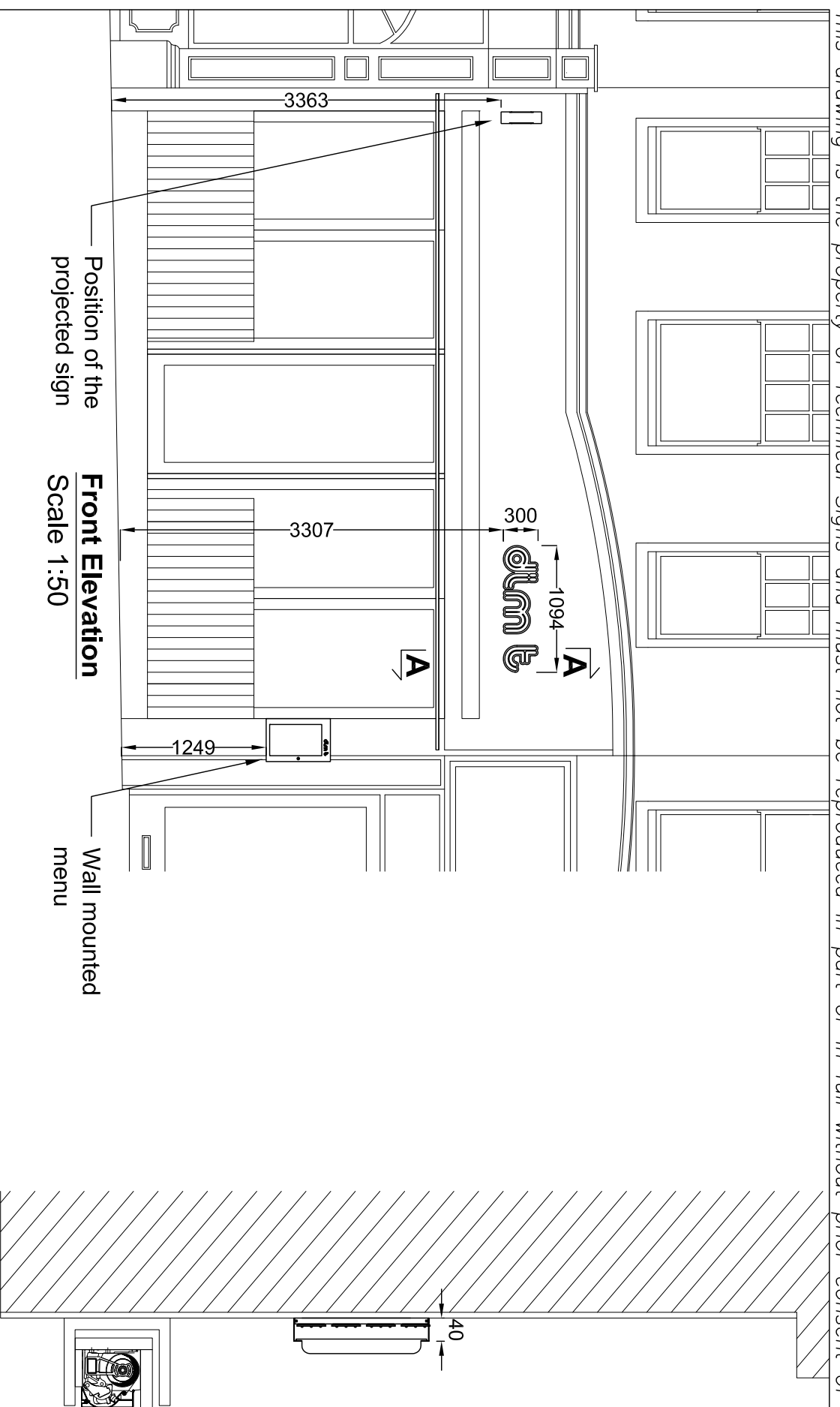
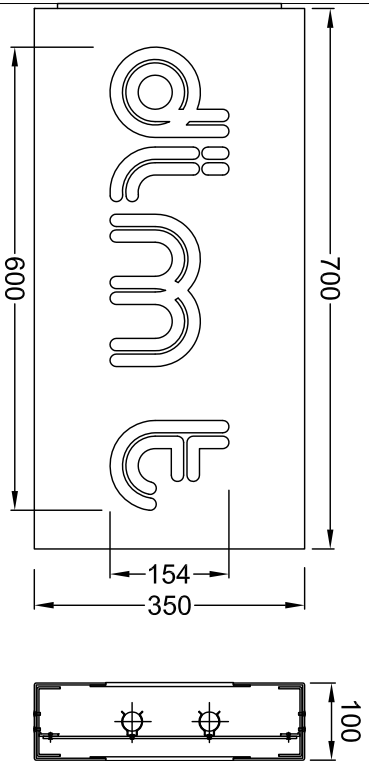


Existing

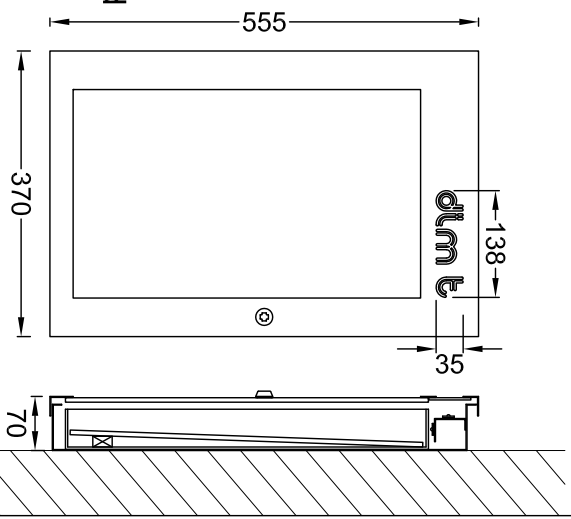


Section A-A through the text
 Scale 1:10
 Built-up letters have 1.2mm descaled stainless steel faces and returns which are finished satin grey RAL 9007. Letters have lines fret cut into the faces which are fitted with push through bull-nosed 25mm pink acrylic. Backs of the letters are fixed to a rendered fascia which is finished off-white.
 The letters are fitted with white LEDs which provide face illumination of the push through lines.

Projected sign - 1 off
 Scale 1:10
 Folded and welded 2.5mm aluminium panels have fret cut text and are finished satin grey RAL 9007. Text is fitted with 5mm pink 4450 perspex. Panels fit around a 2.5mm aluminium inner frame which fixes to the rendered fascia. Internally illuminated by T8 coolwhite lamps.



Menu - 1 off
 Scale 1:10
 Folded and welded 1.2mm descaled stainless steel box is finished satin grey RAL 9007. Fret cut text has 5mm pink perspex letters.
 Steel hinge and slam lock.
 6mm toughened glass face.
 Black acrylic menu insert.
 Internal illumination is provided by white LEDs which are fitted in the top recess.



Technical Signs
 Floor 1 - Unit 3
 Hille Business Centre
 132 St Albans Road
 Watford, Herts, WD24 4AE
 Tel: 01923 811999
 Fax: 01923 811998
 E-mail: info@technicalsigns.co.uk

Client: Dlm T	Job No	Drawn by	Date	Scale
Address/location details 3 Heath Street Hampstead NW3 6TP	Existing Signs	DN	03/03/15	As specified (A3)
				Drawing No
				470403-1
				Rev