



IndigoVision
Complete IP Video Security Solutions

BX RANGE

3x
Optical



HD Bullet Camera

Seamless open standard High Definition video

Part of IndigoVision's professional BX Range, the High Definition (HD) Bullet Camera (BX600) delivers pin sharp detail at 2MP resolution that is fully ONVIF conformant. Any single point of failure in the system is removed through IndigoVision's Distributed Network Architecture (DNA).

Key Features

SENSOR



COMPRESSION



INTELLIGENCE



OTHER



PHYSICAL



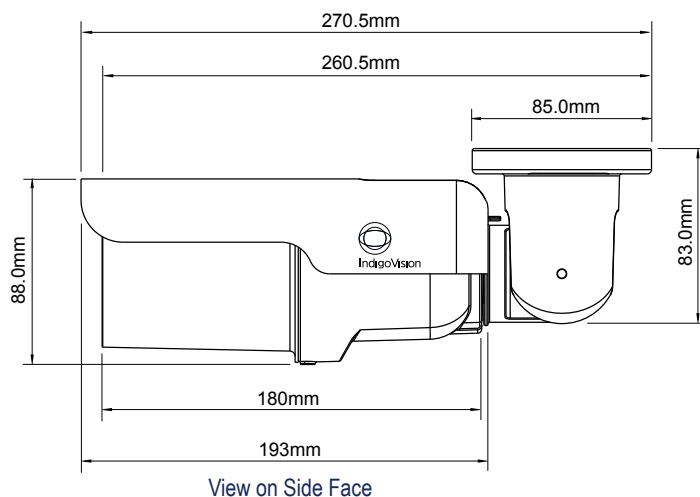
Product Codes

HD Bullet Camera (PAL)	Camera
Standard Lens with Remote Zoom and Focus	511767

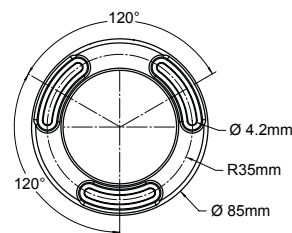
For more information:



Dimensions - HD Bullet Camera



Dimensions - Mounting Hole Pattern



Specification

Camera Features	
Sensor	1/2.7" Progressive CMOS
Active Pixels (HxV)	2MP (1920 x 1080)
Horizontal Resolution	> 800 TVL
Minimum Sensitivity	Day: 0.2 lux (colour). Night: 0.02 lux (mono) 30 IRE, F1.2, 1/15s shutter
Dynamic Range	WDR Low/Medium/High
Gain Control	Auto/Manual setting across a 40dB range
Back Light Compensation	On/Off
White Balance Mode	Auto/Manual
Day/Night	True Day/Night with Mechanical IR Cut Filter
IR Illuminator	Built-in IR Illuminator 850nm wavelength, effective distance >20m
Video Resolution	1920x1080 pixels (1080p); 1280x720 pixels (720p); 720x576 pixels (D1); 352x288 pixels (SIF)
Signal/Noise Level	> 39dB
Lens Options	Standard: 3mm - 9mm, Horizontal view angle 103.5°(W) 34.3°(T), F1.2
Iris Control	DC Auto-iris
Shutter	Rolling; Auto from 1 to 1/10000 sec
Exposure Control	Auto/Manual/Slow AE
Video Compression	Full frame rate, full colour: H.264/MJPEG; up to 25fps @ 1080p resolution
Video Bit Rate	User-configurable bit rates from 64Kbps up to 8Mbps
Video Multi-Streaming	Up to 32Mbps total video output; Unlimited multicast connections. Up to four 4Mbps unicast connections; Up to four 1Mbps unicast connections
Video Multi-Encoder	Up to three simultaneous resolutions including: 1080p (25fps), 720p (25fps), D1 (25fps), SIF (25fps)
Video Output	PAL composite video, 75 Ohms 1V p-p, BNC cable harness
Video Analytics	Motion Detection, Hooded
Audio Compression	G.711
Audio Bit Rate	User-configurable bit rates from 64Kbps to 80Kbps per channel
Audio Resolution	Full Duplex 8kHz sample rate. Mono Input, Mono Output
Audio Input	Line in, terminal block connector
Audio Output	Line out, terminal block connector
Binary Input/Output	1 input ; 1 solid state opto-isolated relay output
Network Interface	IEEE802.3 and IETF standards: 10/100 Base-T Ethernet, TCP, UDP, RTP, RTSP, ICMP, IGMP, SNMP, HTTP, HTTPS, PPPoE, uPnP, QoS, DHCP
Network Security	HTTPS / IP Filter / IEEE 802.1x
Time	Embedded real-time clock, NTP client
SD Storage*	microSDHC 32GB support (card not included)
Dimension/Weight	88.0mm (dia.) x 193mm (h) and 0.94Kg (with sun shade)
Regulatory	EN 55022 Class A, EN 61000-3-2, EN 61000-3-3, AS/NZS CISPR 22, FCC Part 15 Subpart B Class A, EN 50130-4, AS/NZS CISPR 24, IEC 61000-4-2, IEC 61000-4-3, IEC 61000-4-4, IEC 61000-4-5, IEC 61000-4-6, IEC 61000-4-8, IEC 61000-4-11
Housing	Vandal resistant diecast aluminium alloy with polycarbonate sun shade
Protection Rating	IP66
Electrical	Camera only: PoE (802.3af Class 0) or 12V DC / 24V AC; 5.5W. Camera including heater: 12V DC / 24V AC; 24W. Power supply not included
Operating Temperature	PoE powered: 0°C to 50°C External PSU: -30°C to 50°C
Cold Start	-30°C
IndigoVision Software Requirements	SMS4™ r5/Control Center v11.0 or later
ONVIF	Profile S

* SDCard Storage independent of IndigoVision's NVRs.