

Magnet

Single Zone Contact Table					
Control Panel	Value		Single Contact		
	EOL	Alarm	EOL	Alarm	
Honeywell Ademco, Galaxy	1k	1k	Black	Green/Blue	
Europelex	2k2	2k2	Red/ Yellow	Green/ Brown	
Castle, Manvier Pyronix, Scantronic Texecom	2k2	4k7	Red/ Yellow	Green/ White	
Aritech	4k7	4k7	Yellow	Green/ White	
Gardtec	4k7	6k8	Yellow	Green	
Guardall	8k2	8k2	Red	Red	(Note: Connect Blue & White)

Shared Zone Contact Table						
Red/ Yellow	Value		Contact 1		Contact 2	
	EOL	Alarm	EOL	Alarm	EOL	Alarm
Honeywell Ademco, Galaxy	1K	1K	Orange	Green/ Blue	Black	Green/ Blue
Europelex	2K2	2K2	Orange	Green/ Brown	Red/ Yellow	Green/ Brown
Castle, Manvier Pyronix, Scantronic Texecom	2K2	4K7	Orange	Red/ Yellow	Red/ Yellow	Green/ White
Aritech White	4K7	4K7	Orange	Green/ White	Yellow	Green/ White
Gardtec	4K7	6K8	Orange	Green	Yellow	Green/ White
Guardall	4K1	8K6	Orange	Brown/ Green	Brown/ Green	Red

Description:
Grade 3 Class III
G3 Flush Potted Contact, Selectable Resistors & Large o.g

Operating Gap:
20mm (Approx)

Materials:
High Impact Polystyrene
1 metre 8 core cable

Magnet:
Ferrite or Alnico V

Contact Material:
Rhodium

Voltage Range:
12v DC Max

Switching Current:
500mA Max DC

Temperature Range:
-40°C to +50°C

Resistor Combinations:
See Inset Panels

Colours:
White (No Suffix)
Brown (Suffix B)
Fixing Screws Provided

Description The YA40 is a universal fully sealed Flush Contact with magnetic shielding. It meets all of the necessary requirements for magnetic contacts permitting it to be used within Grade 3 installations. The contact has installer selectable End of Line (EOL) and alarm contact bypass resistors, and benefits from the option of a second device connected in series.

Installation Fix the fascia plate to the prepared mounting surfaces using the fixing holes provided. Feed the cable from the contact, and wire into the appropriate terminal blocks. Select the appropriate wiring format and resistor values (see tables alongside). Ensure that unused wires and any trimmed wires cannot short out to any other connections. Only two connections are made to the control panel alarm circuit and this provides both the alarm and tamper information.

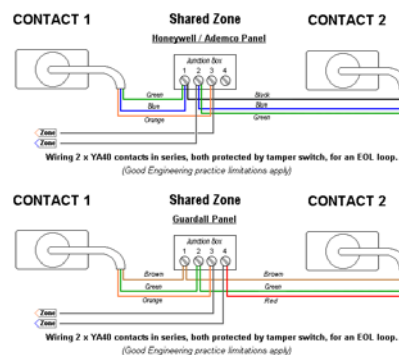
Operating Gap

This table gives the approximate sensing distances

Mounting Surface	Make Distance	Break Distance
Non-magnetic	20mm	22mm

Wiring:- The YA40 is only suitable for fully supervised (EOL) formats. Use the appropriate wires colours and combinations to achieve the necessary end of line and alarm bypass resistor values for single zone or shared zone operation, (see tables alongside).

Note this contact already meets the requirements of TS50131-2-6: 2004



YA40 Shared Zone Wiring

KNIGHT

FIRE & SECURITY PRODUCTS LTD

<mailto:info@knightfireandsecurity.com>

Unit 84 Seawall Road Ind. Estate
Cardiff UK CF24 5TH

Tel: 0 (00 44) 29 20 48 81 29

Fax: 0 (00 44) 29 20 48 91 32

Drawing No: YA40

Drawn: Chris Moorman

Date: 09/04/09

All units in mm
Do not scale



© Knight Fire & Security Products Ltd
All cases of TM Infringement will be pursued.