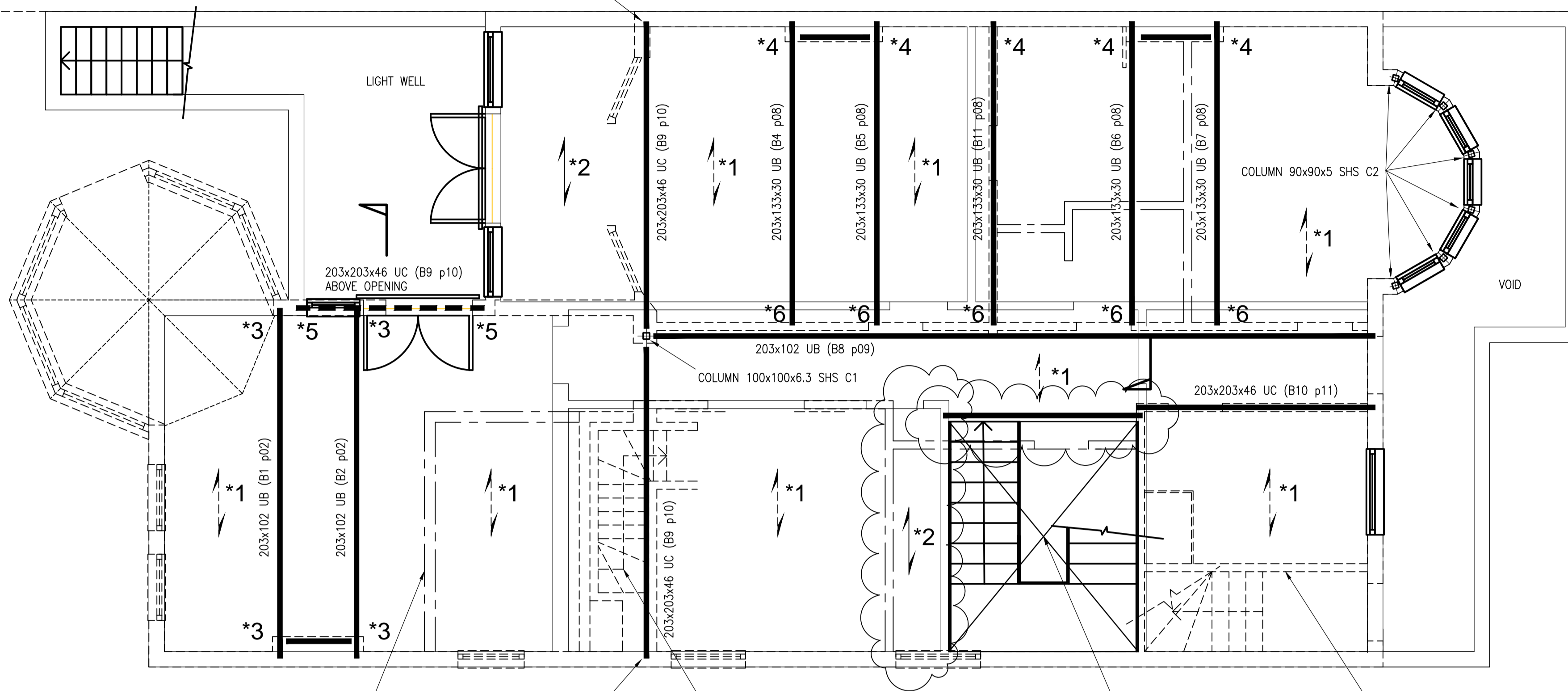


NOTES

1. THIS DRAWING IS TO BE READ IN CONJUNCTION WITH ALL RELEVANT ARCHITECTS DRAWINGS, ENGINEERS DRAWINGS AND CONTRACT DOCUMENTATION.
2. FOR GENERAL NOTES SEE DRAWING 14.385.00

SITE BOUNDARY FROM BLOCK PLAN

ENGINEERING BRICK PAD STONE TO TOP OF CONCRETE UNDERPIN



KEY	
*1	ASSUMED SPAN OF EXISTING JOISTS
*2	NEW JOISTS
*3	500x100x150 DEEP MASS CONCRETE PADSTONE
*4	300x100x150 DEEP MASS CONCRETE PADSTONE
*5	300x225x225 DEEP MASS CONCRETE PADSTONE
*6	12THK PLATE WITH 4No M16 GR. 8.8 BOLTS

SITE BOUNDARY FROM BLOCK PLAN

OUTLINE OF EXISTING BASEMENT BELOW TO BE DEMOLISHED

ENGINEERING BRICK PAD STONE TO TOP OF CONCRETE UNDERPIN

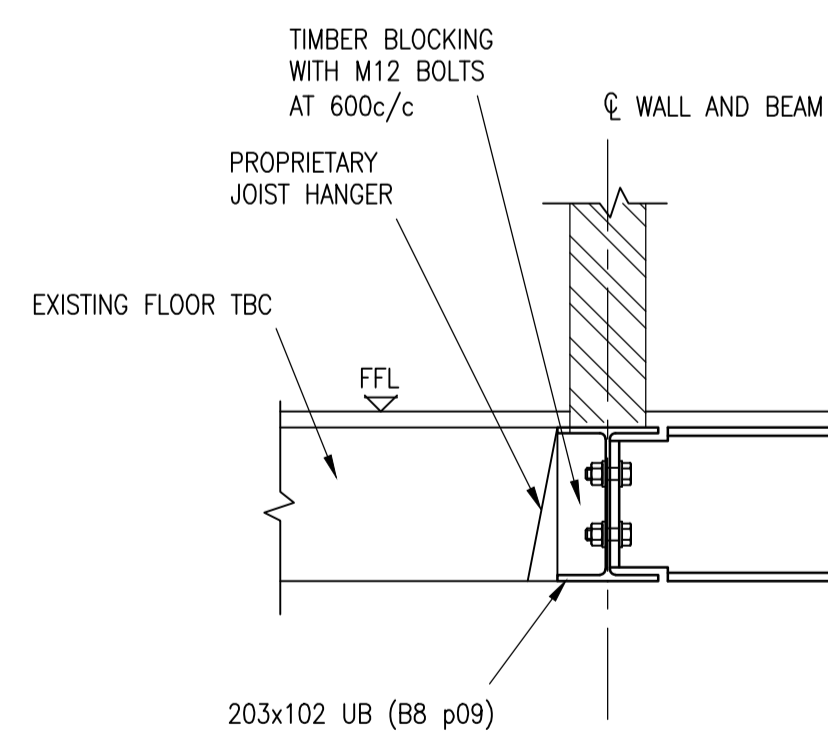
OUTLINE OF EXISTING BASEMENT STAIRS BELOW TO BE DEMOLISHED

NEW STAIR WELL FORMED IN GROUND FLOOR

OUTLINE OF EXISTING BUILDING OVER SHOWN DASHED

PLAN

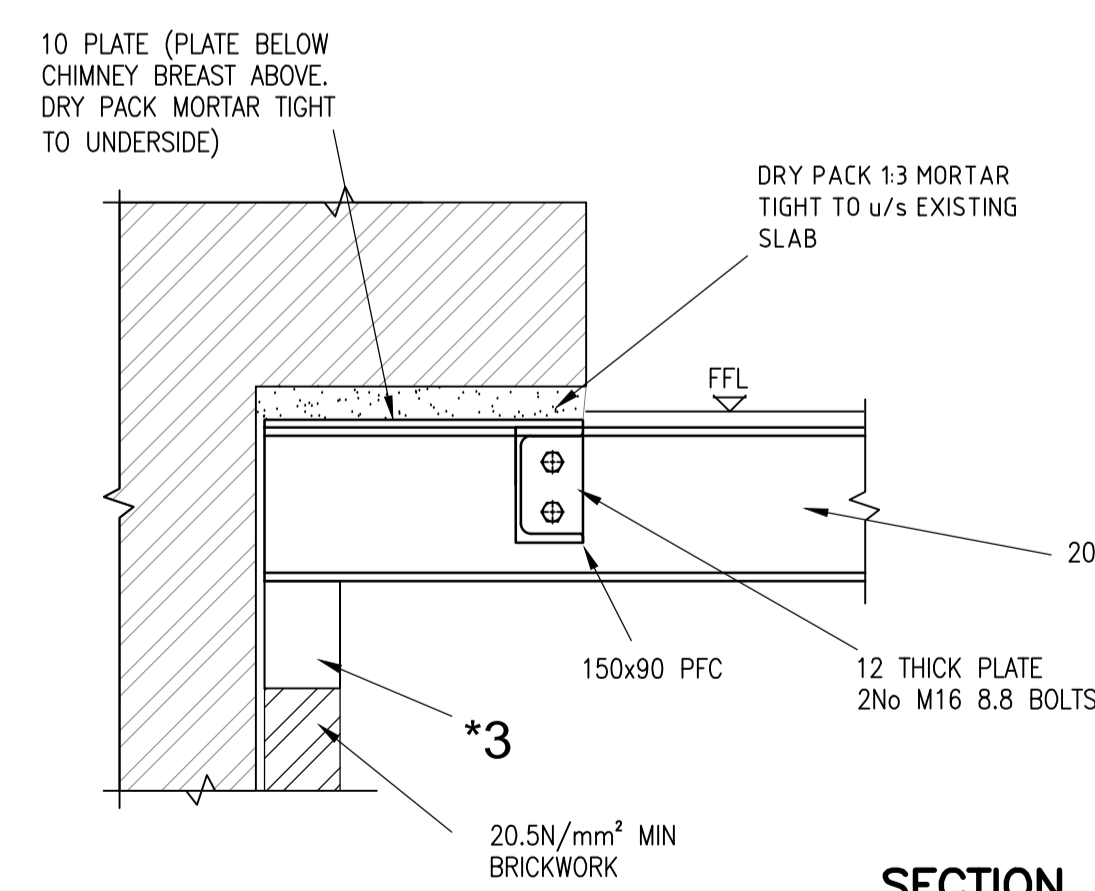
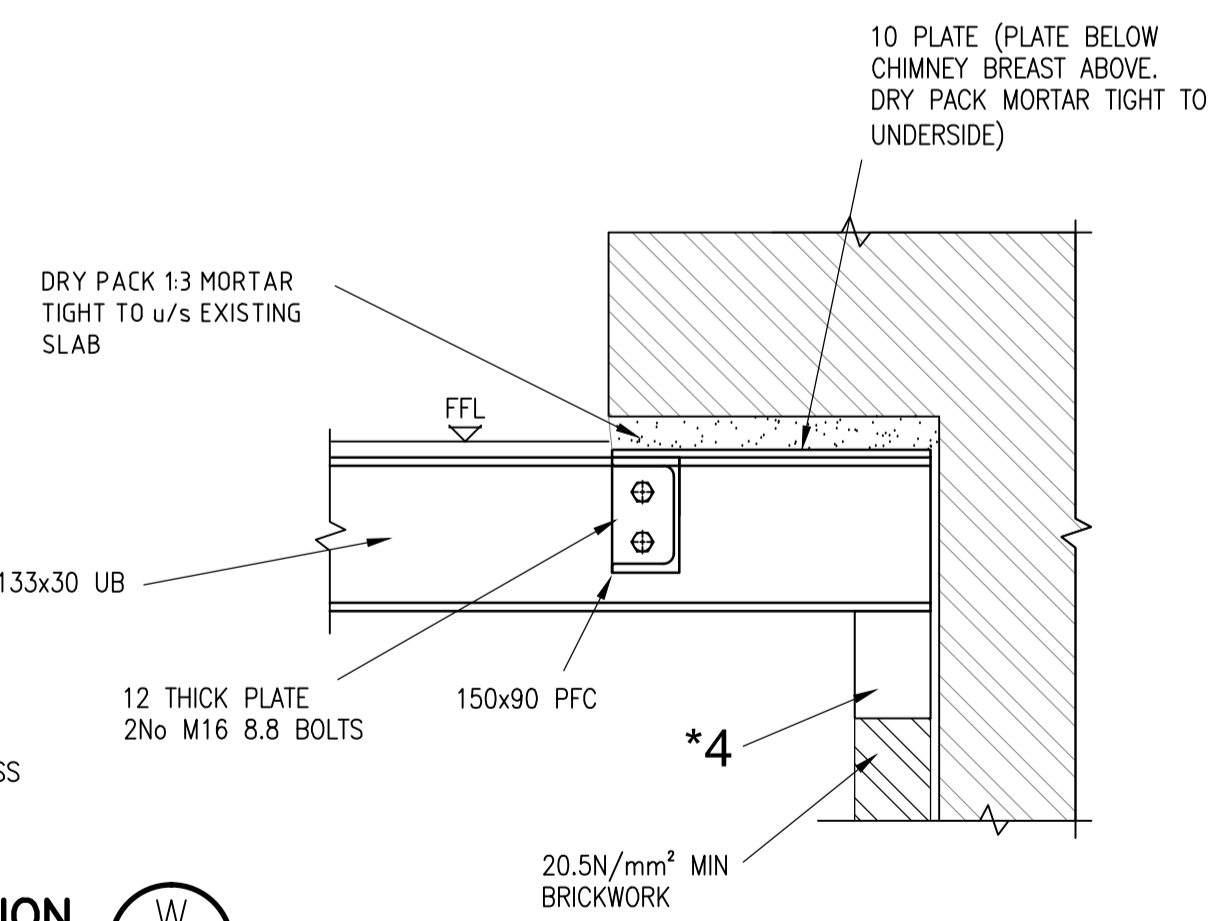
SCALE 1:50



SECTION W

SCALE 1:10

TYPICAL B4, B5, B6, B7, B11



SECTION X

SCALE 1:10

TYPICAL B1, B2

WALL AND BEAM

203x203x46 UC (B9 p10) ABOVE OPENING

TO SUIT ARCHITECT

P1	Preliminary for checking	24/11/14
Rev.	Description	Date

AND DESIGNS LTD

Consulting Engineers
90 Meadow, Godalming, Surrey GU7 3HY
Tel. 01483 418140
Fax. 01483 421304
E-Mail info@anddesigns.co.uk

Project
**PROPOSED ALTERATIONS
21 ABERDARE GARDENS**

Title
GROUND FLOOR DETAILS

Scale	AS SHOWN AT A1	Job No.	14.385
Date	NOV 2014	Dwg. No.	
Dwn. by	Chkd. by		03 P1
MT	JW		