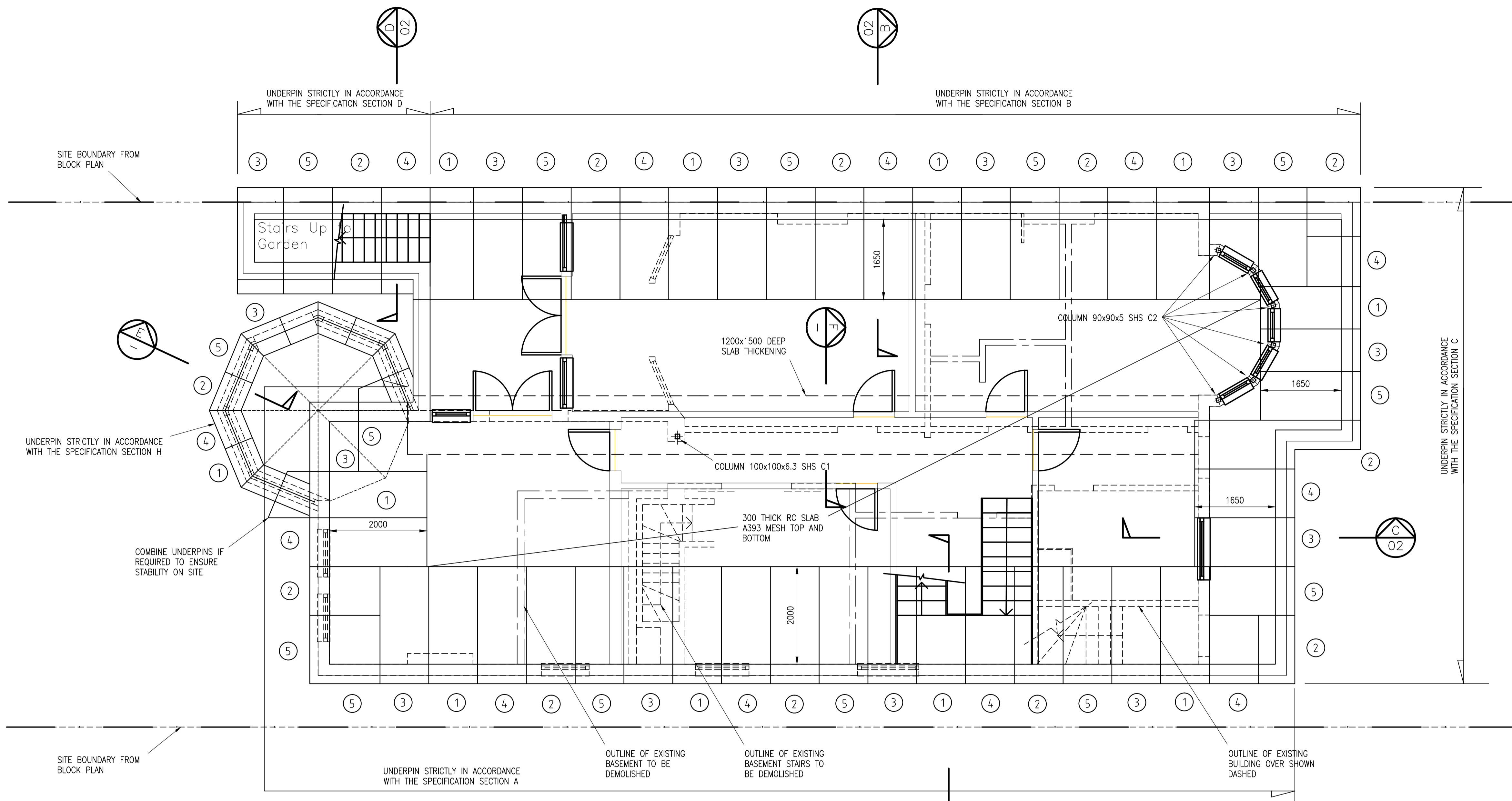
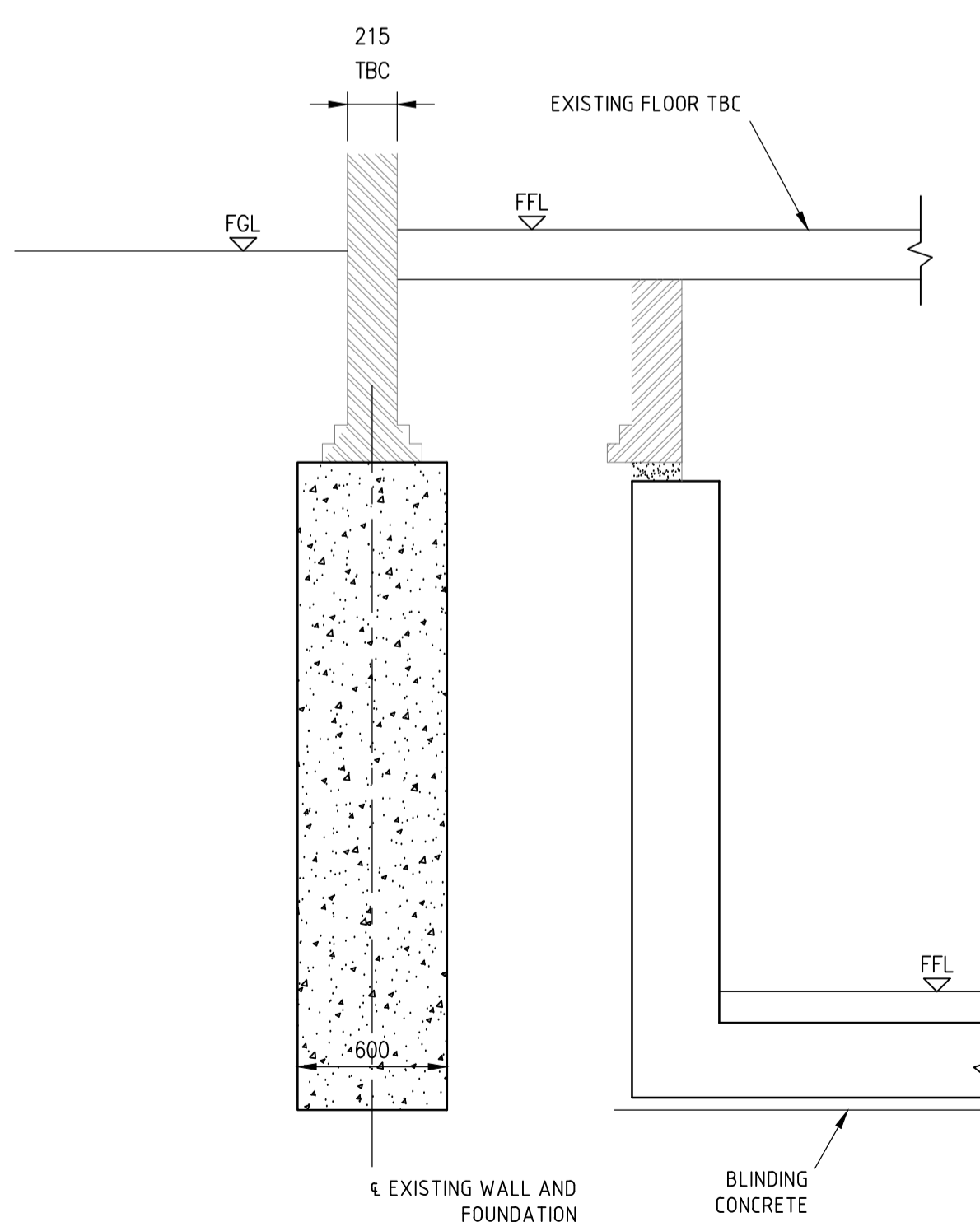


NOTES

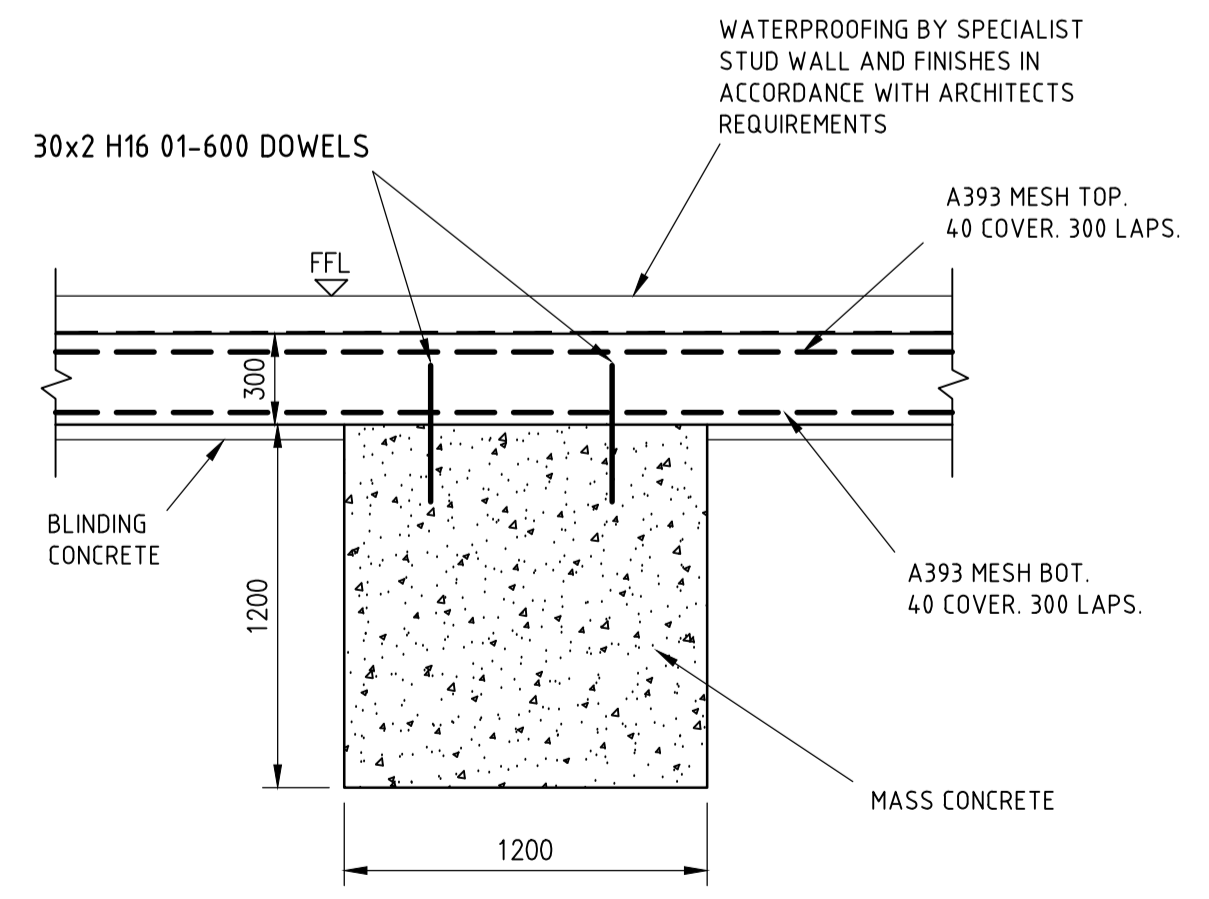
1. THIS DRAWING IS TO BE READ IN CONJUNCTION WITH ALL RELEVANT ARCHITECTS DRAWINGS, ENGINEERS DRAWINGS AND CONTRACT DOCUMENTATION.
2. FOR GENERAL NOTES SEE DRAWING 14.385.00



PLAN
SCALE 1:50



SECTION E
SCALE 1:25



SECTION F
SCALE 1:25

P1	Preliminary for checking	24/11/14
Rev.	Description	Date
AND DESIGNS LTD		
Consulting Engineers		
90 Meadow, Godalming, Surrey GU7 3HY		
Tel. 01483 418140		
Fax. 01483 421304		
E-Mail info@anddesigns.co.uk		
Project		
PROPOSED ALTERATIONS 21 ABERDARE GARDENS		
Title		
BASEMENT DETAILS (1/2)		
Scale	AS SHOWN AT A1	Job No.
Date	NOV 2014	14.385
Dwn. by	Chkd. by	Dwg. No.
MT	JW	01 P1
© copyright		