

Flat 2 Gabrielle Court,
1 Lancaster Grove,
London NW3 4EU
30 November 2014

Fifield Glyn
Attn: Mrs Louise Tamt



Dear Louise,

Gabrielle Court - Window Replacement

I attach, as promised, seven drawings (GCI-7) which I hope can assist with our planning submission. The drawings show detailed sections of both the existing window and proposed replacements.

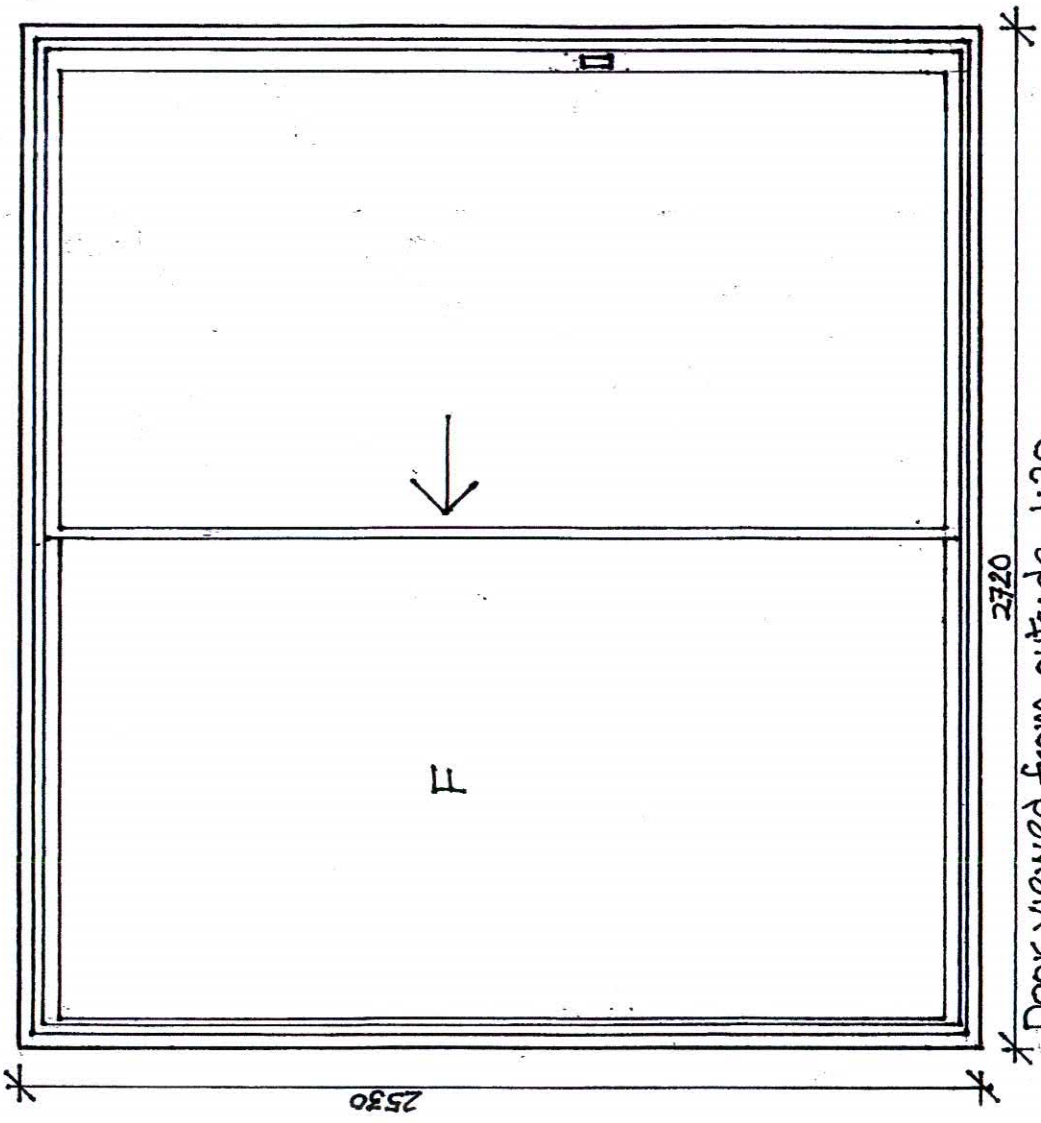
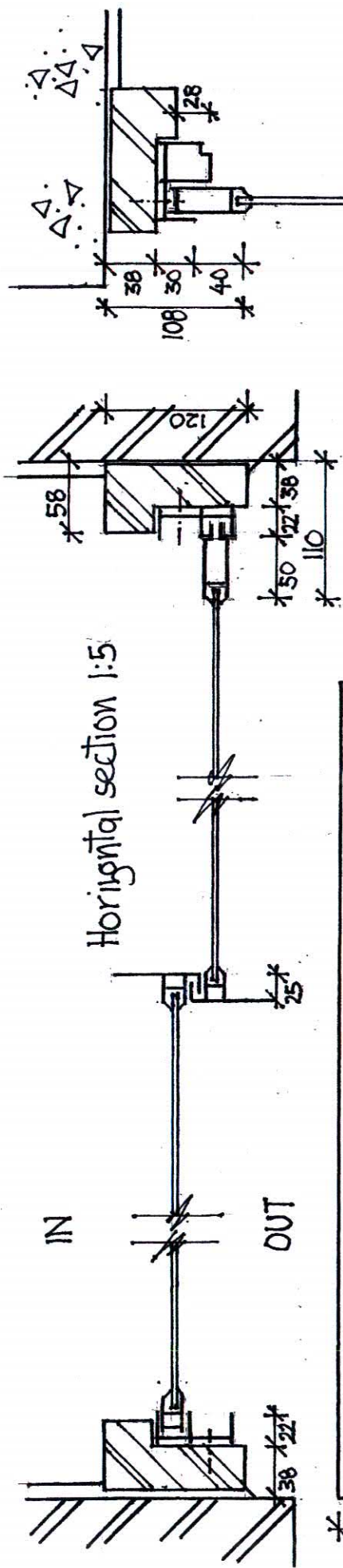
I do not have access to computer drafting these days and consequently have had to resort to the old-fashioned method. Should Camden, however, require more information or clarification, however, please let me know if I can help further.

Yours sincerely,
J. Beveridge
(JAMES BEVERIDGE)

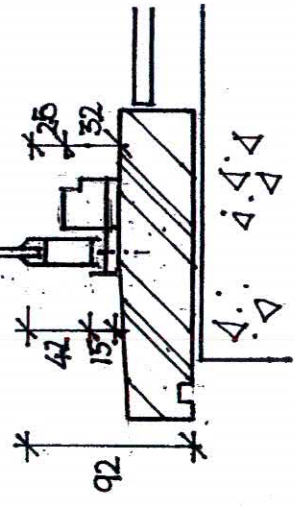
GABRIELLE COURT, 1-3 LANCASTER GROVE, NW3 4EU
PROPOSAL TO REPLACE WINDOWS



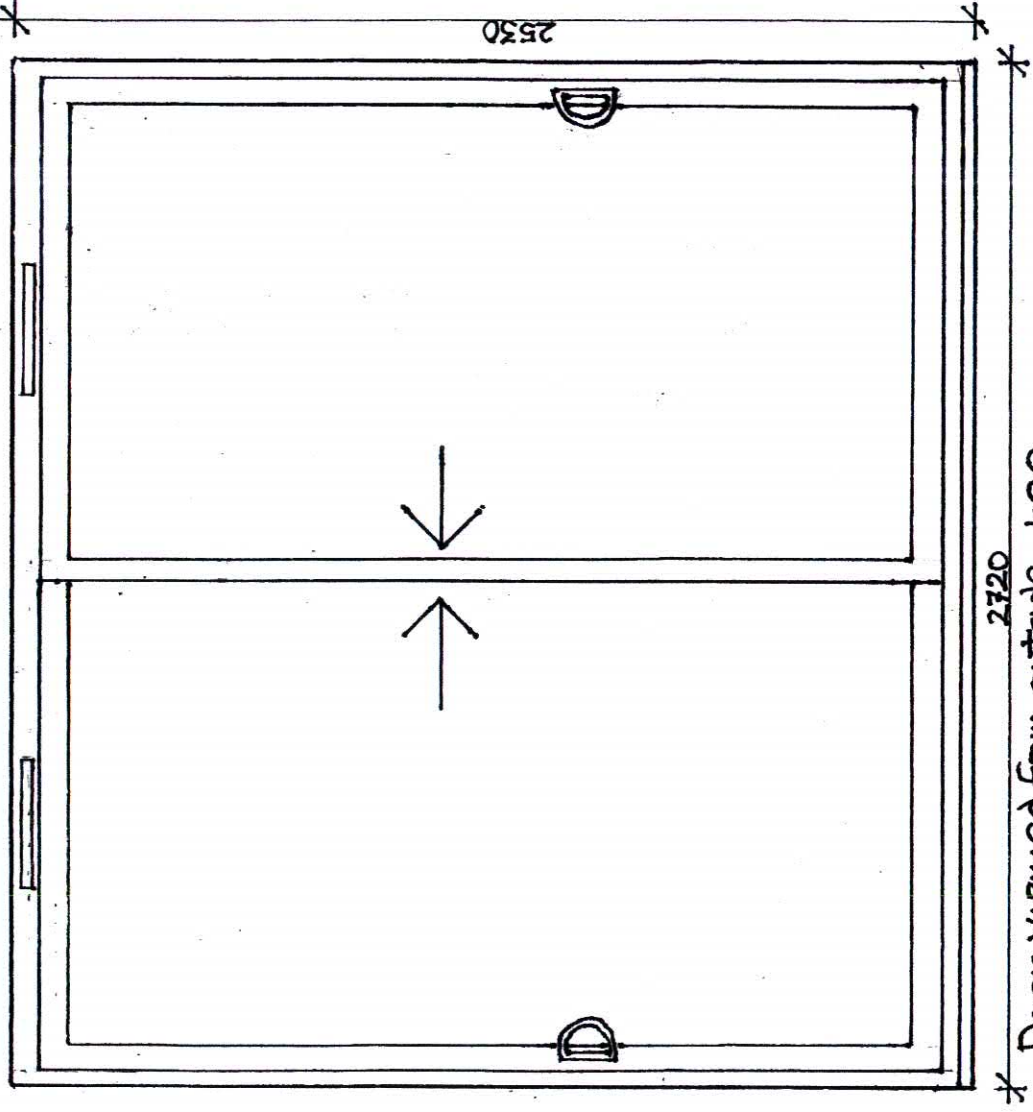
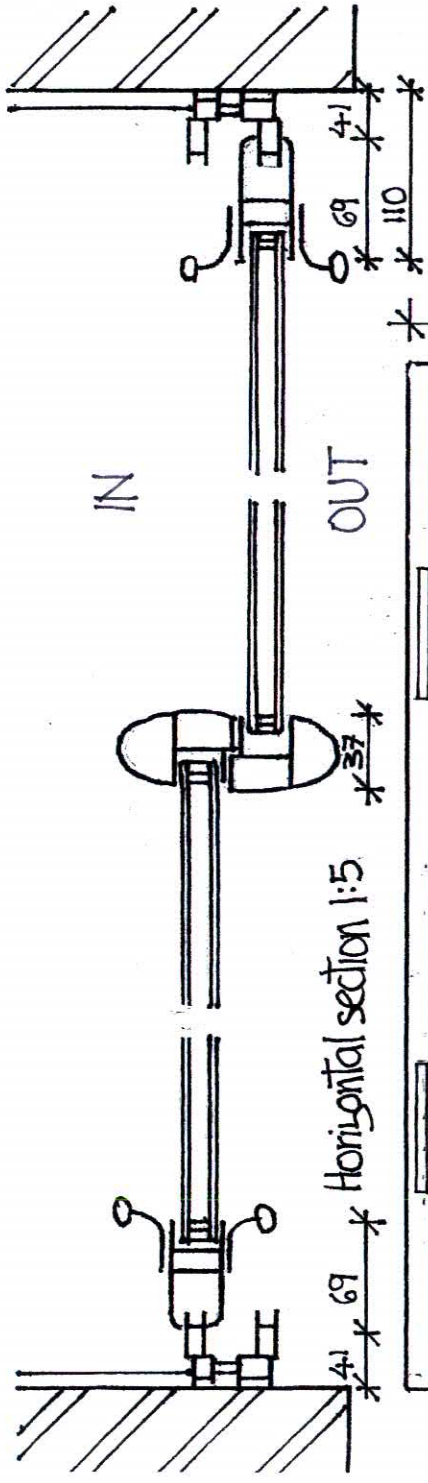
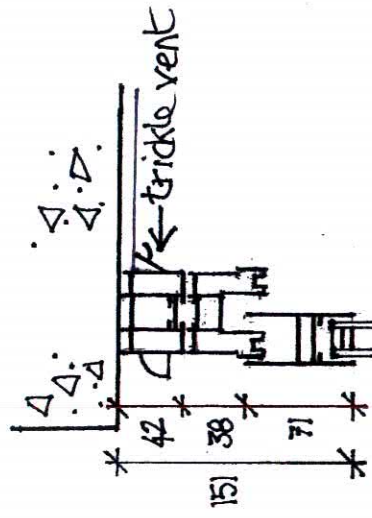
Existing Street Elevation (rear elevation identical)
Fenestration of Replacment Windows will replicate Existing Frames



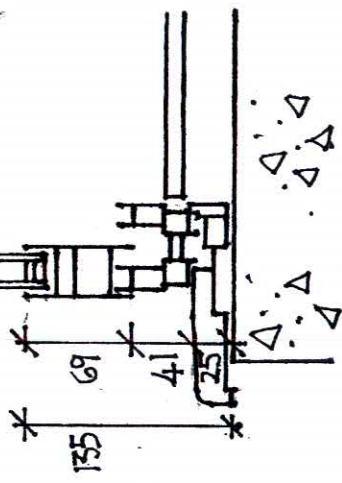
IN OUT



DWG NO. GC2
 EXISTING PATIO DOORS
 Aluminium single-glazed doors - anodized finish



OUT IN

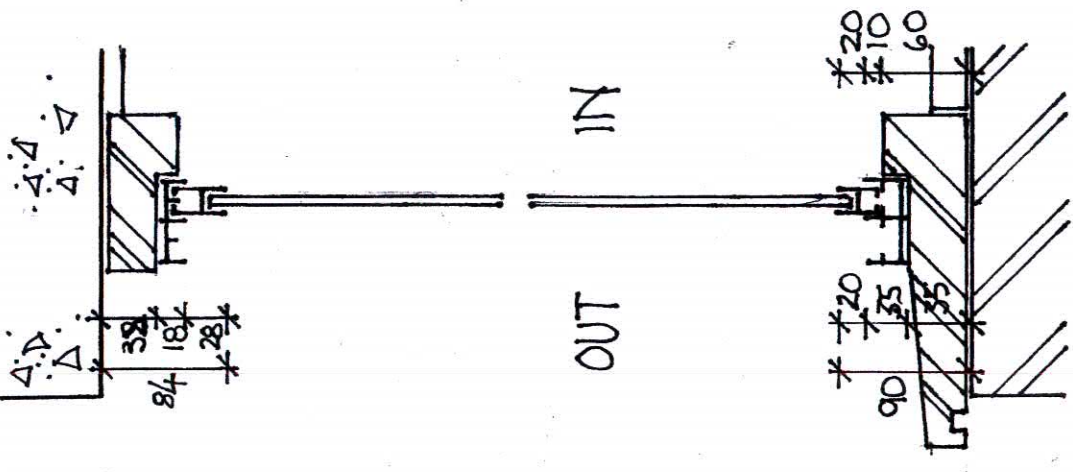
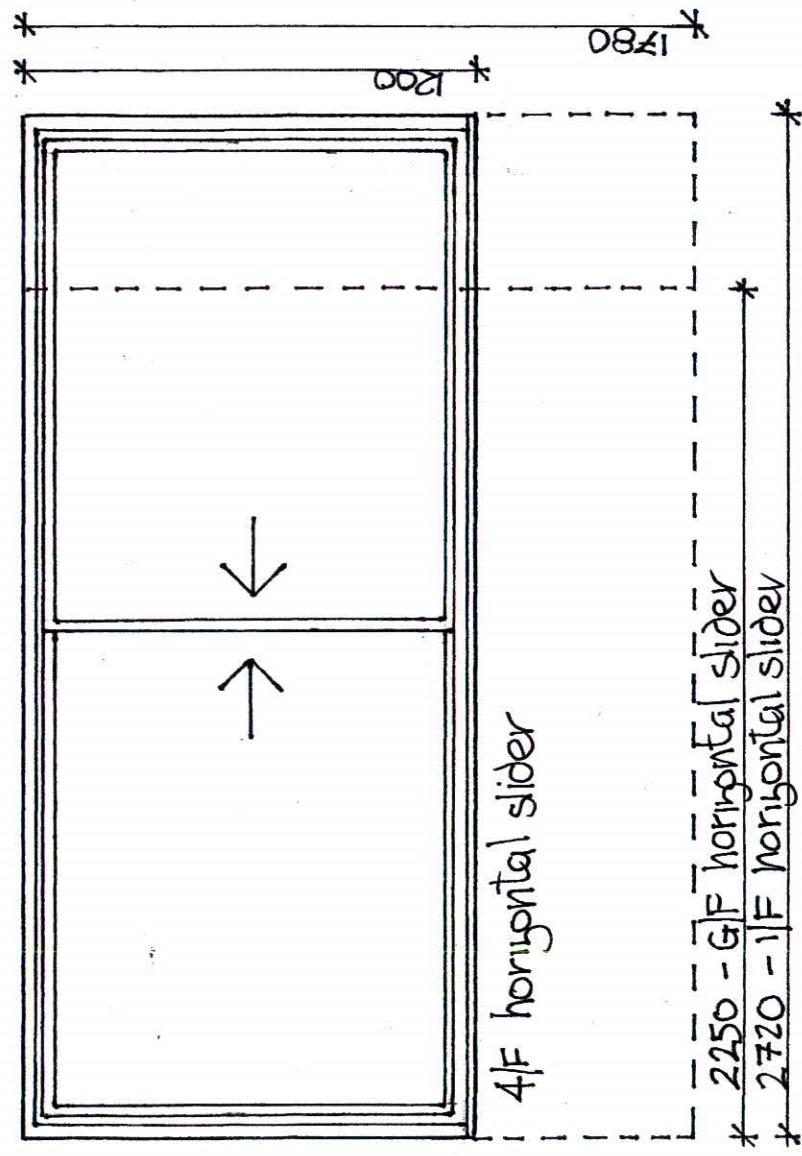
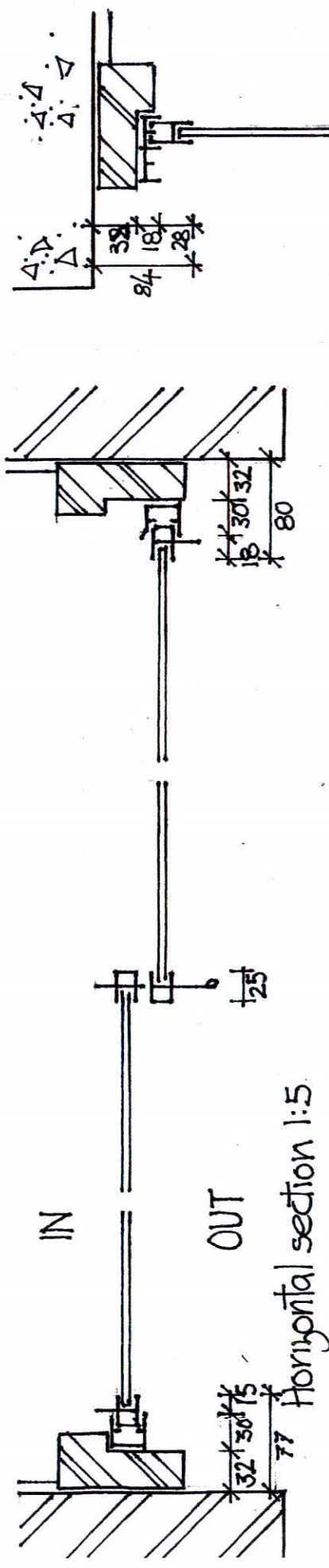


Vertical section 1:5

DWG NO. GC3

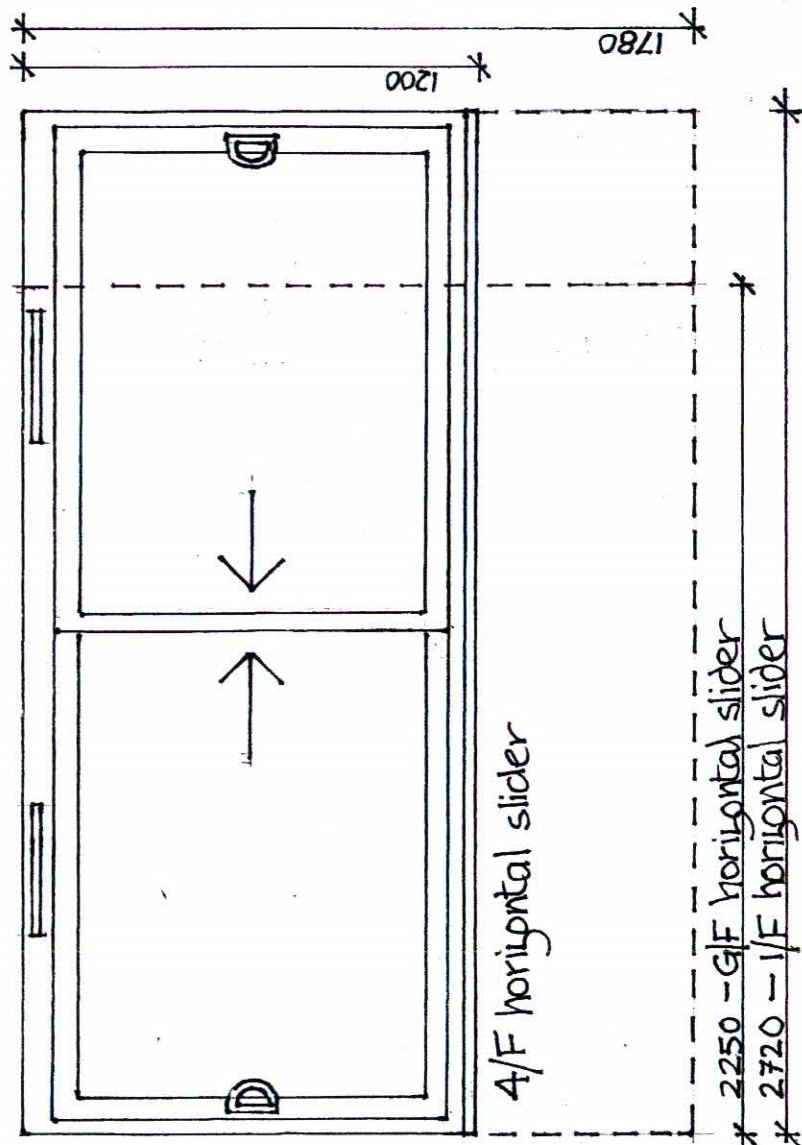
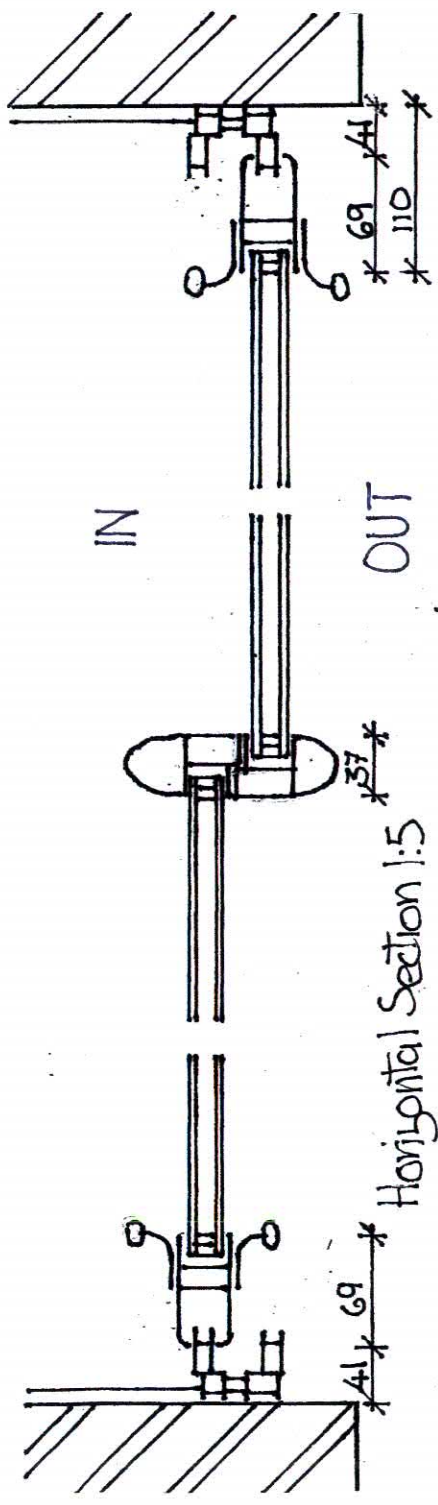
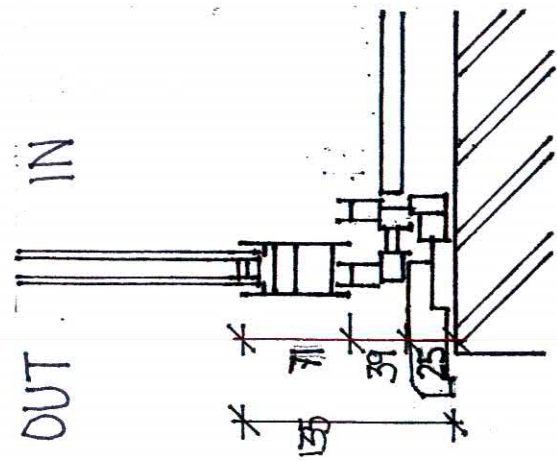
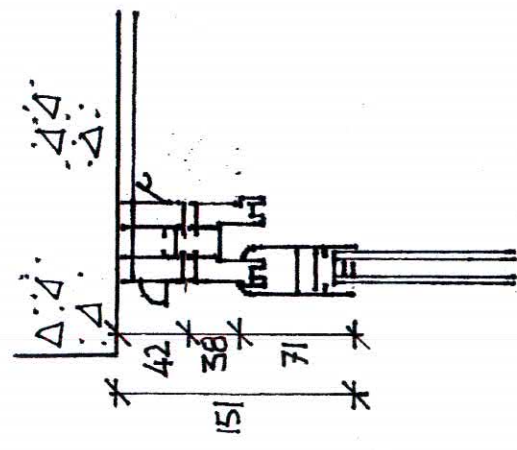
PROPOSED PATIO DOORS

Aluminium double-glazed 'Duration' windows - powder-coat finish - light grey



DWG NO. GC4
 EXISTING HORIZONTAL SLIDERS
 Aluminium single-glazed windows - anodized

Windows viewed from outside



Vertical Section 1:5

Horizontal Section 1:5

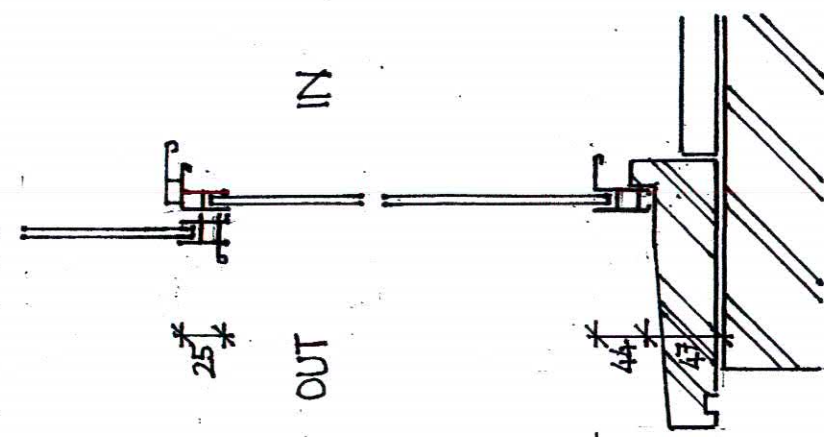
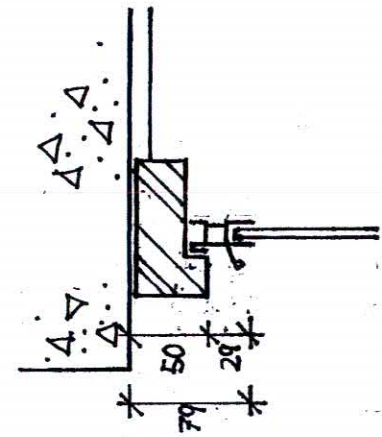
4/F horizontal slider

- * 2250 - 6/F horizontal slider
- * 2720 - 1/F horizontal slider

Windows viewed from outside 1:20

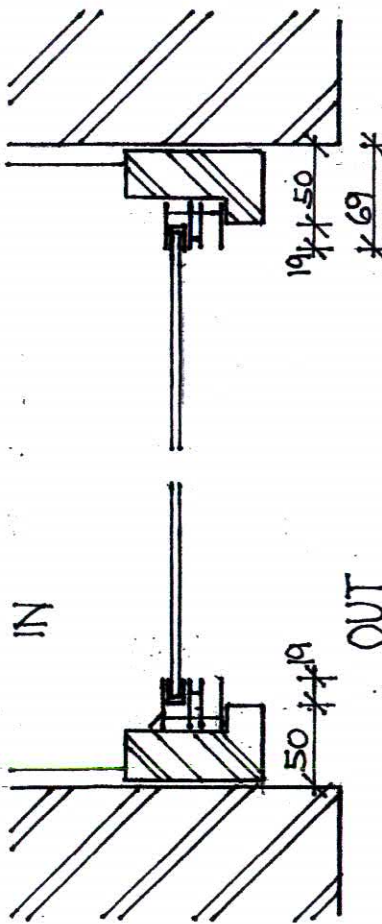
DWG NO. GC5

PROPOSED HORIZONTAL SLIDERS
 Aluminium double-glazed 'Duration' windows
 powder-coat finish - light grey

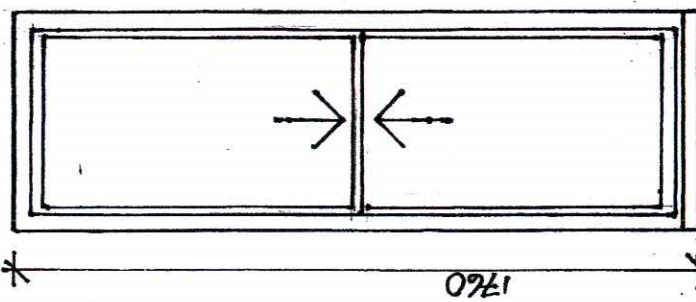
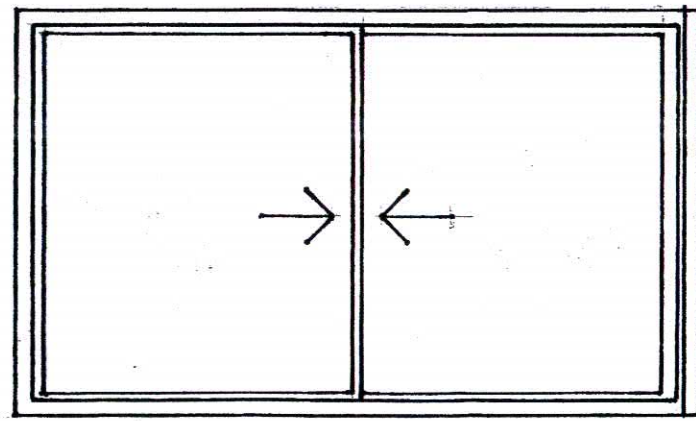


Vertical section 1:5

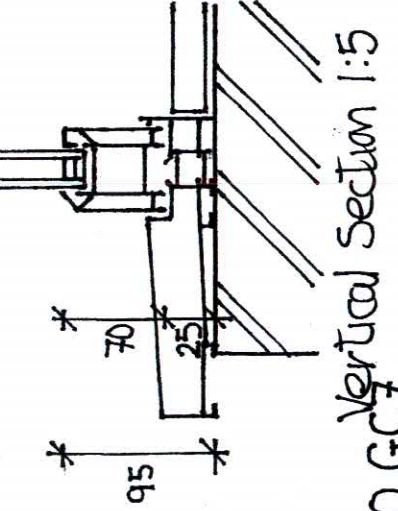
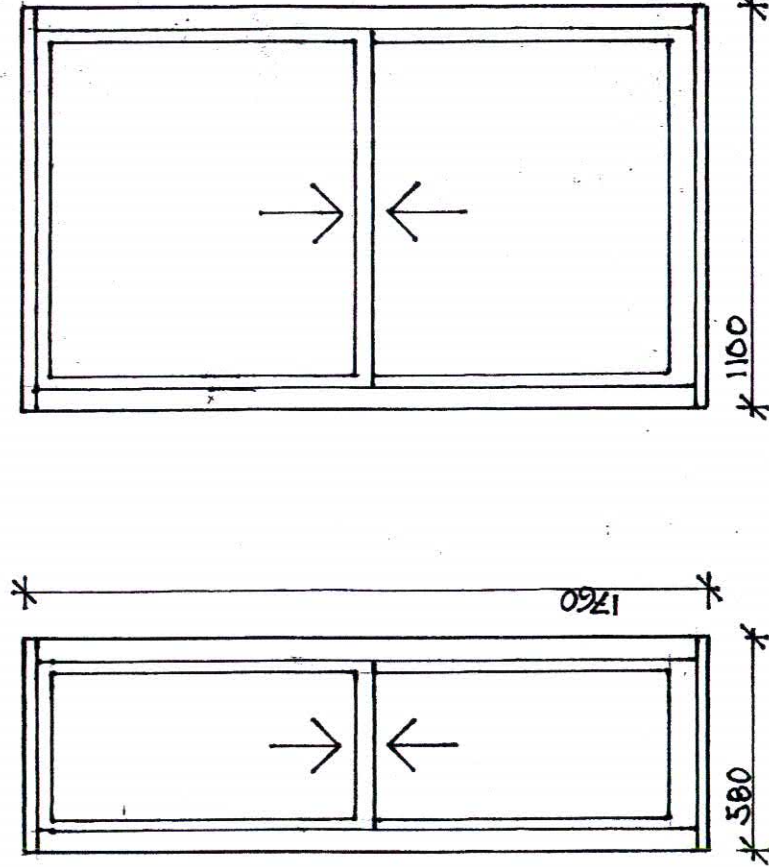
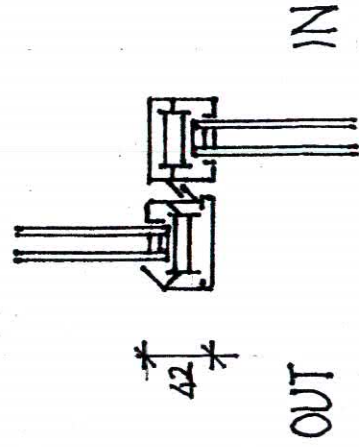
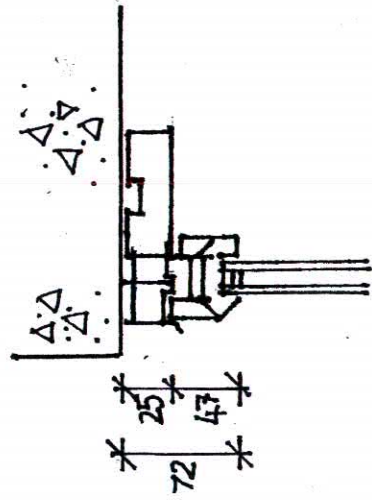
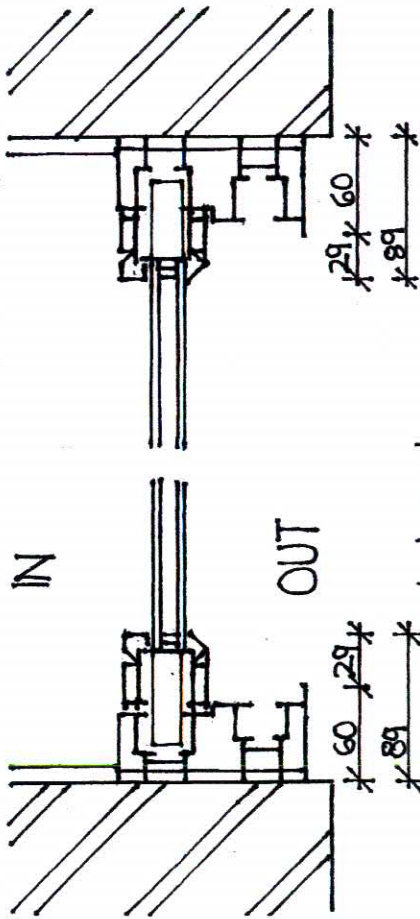
DWG NO. GCG
 EXISTING VERTICAL SLIDERS
 Aluminum single-glazed windows - anodized finish



Horizontal section 1:5



Window viewed from outside 1:20



Windows viewed from outside 1:20

DWG NO. G.C.7

PROPOSED VERTICAL SLIDERS

Aluminium double-glazed 'Duration' windows
powder-coat finish - light grey