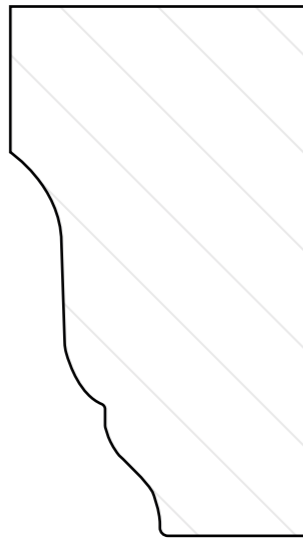
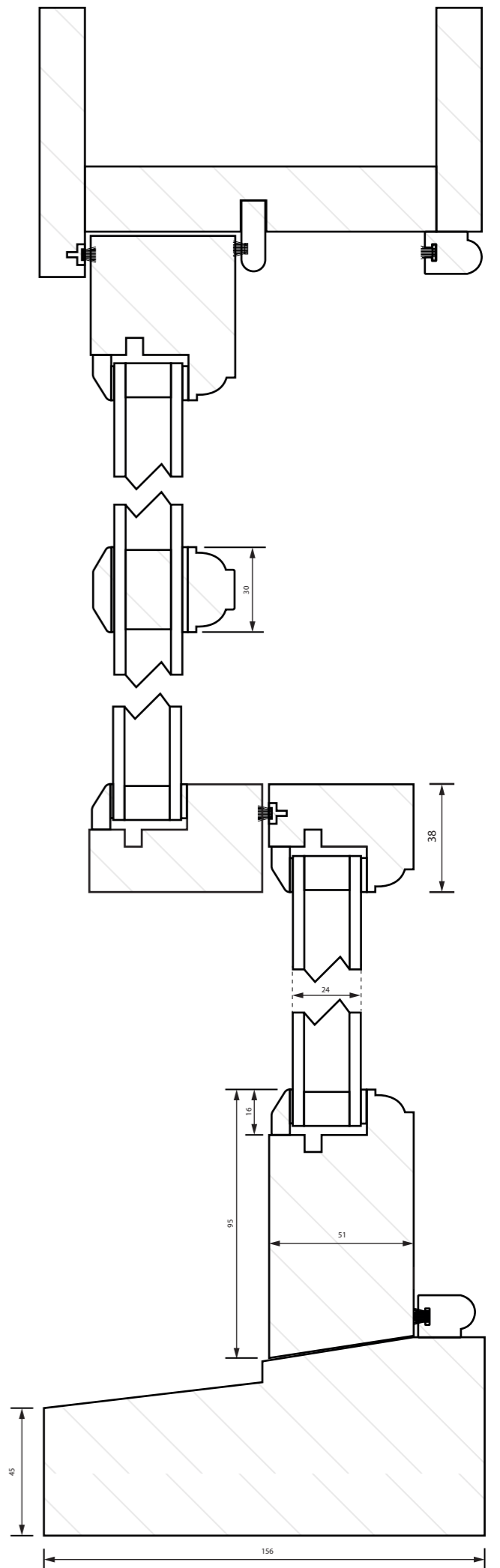
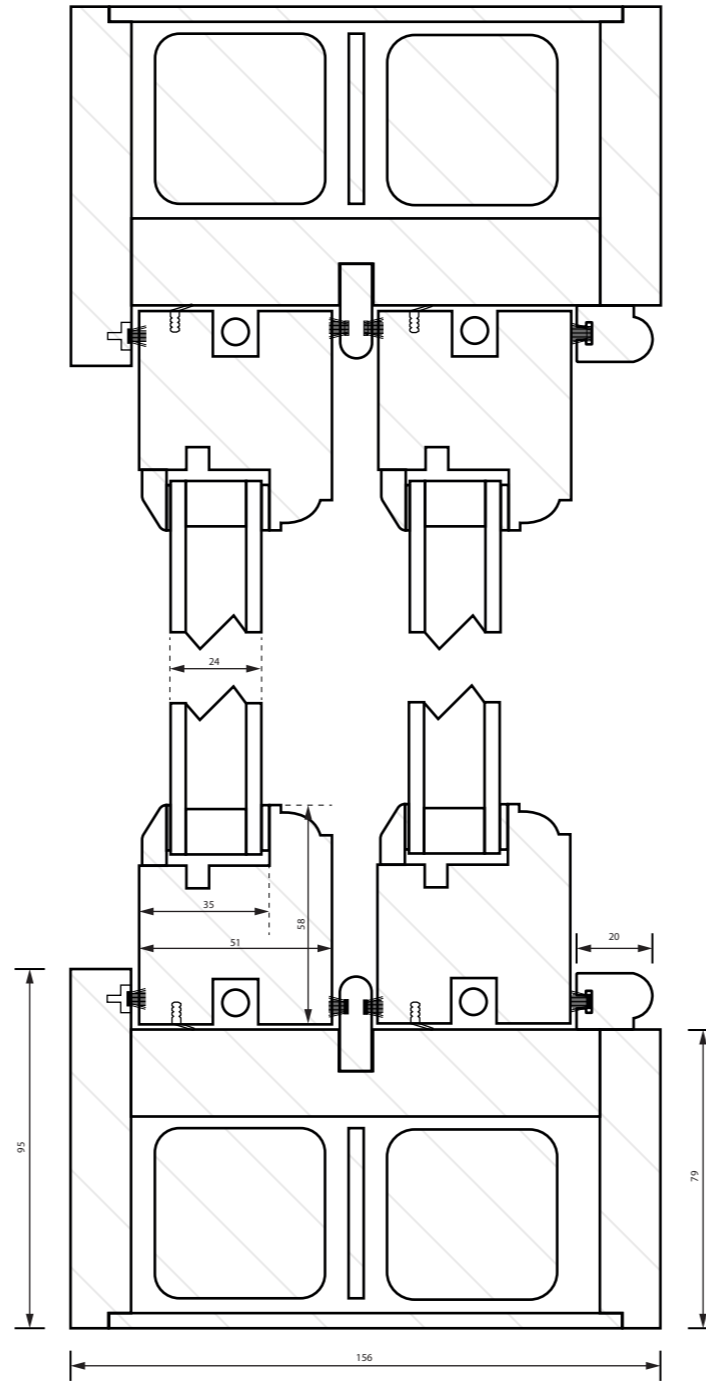


Scale 1:20



Scale 1:1 - Horn Detail



1-4 LOWER GREEN WEST . MITCHAM . SURREY  
 . CR4 3AF  
 T 020 8946 2438 . [www.londonboxsash.com](http://www.londonboxsash.com)

DO NOT SCALE OFF THIS DRAWING. ALL DIMENSIONS ARE TO BE CHECKED  
 PRIOR TO CONSTRUCTION. ALL COPYRIGHTS RELATING TO THE DESIGN WORK  
 CONTAINED ON THIS DRAWING TO BE RETAINED BY LONDON BOX SASH WINDOWS LTD

PROJECT  
 FLAT 38, THE PRYORS, NW3 1BP

DRAWING  
 PROPOSED BOX SASH WINDOW DIMENSIONS

CLIENT  
 SARAH ROSS

SCALE  
 1:2@ A3

DATE  
 JAN2015

STATUS

DRAWING NO.  
 01121

REV.  
 A

