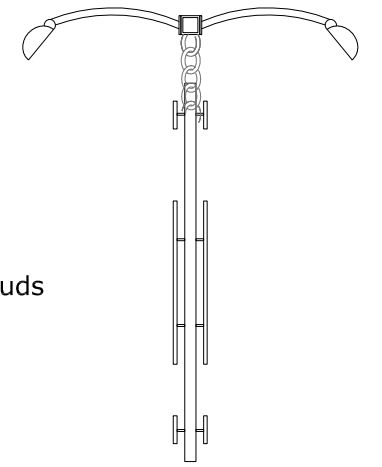
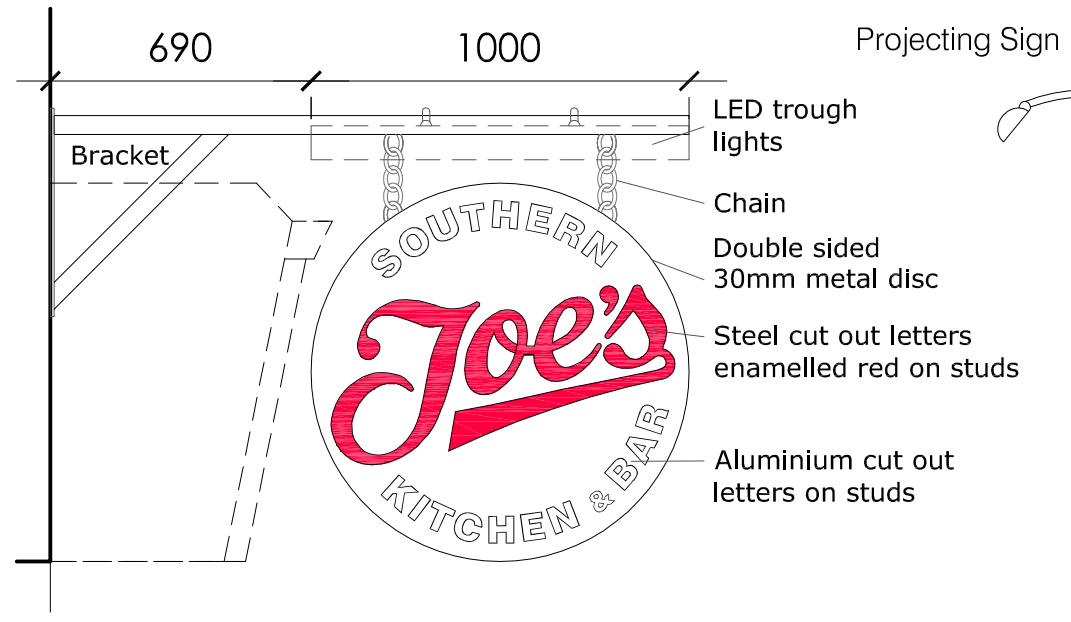
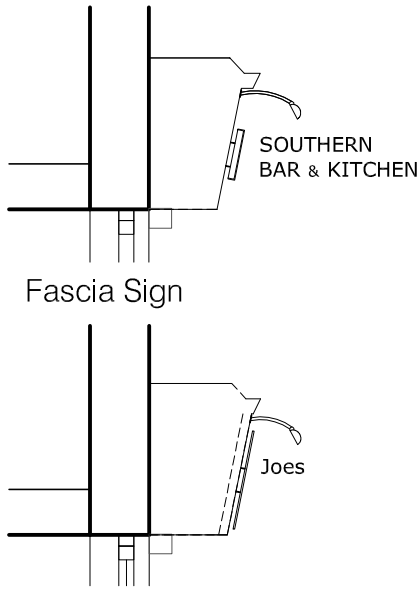


Lettering



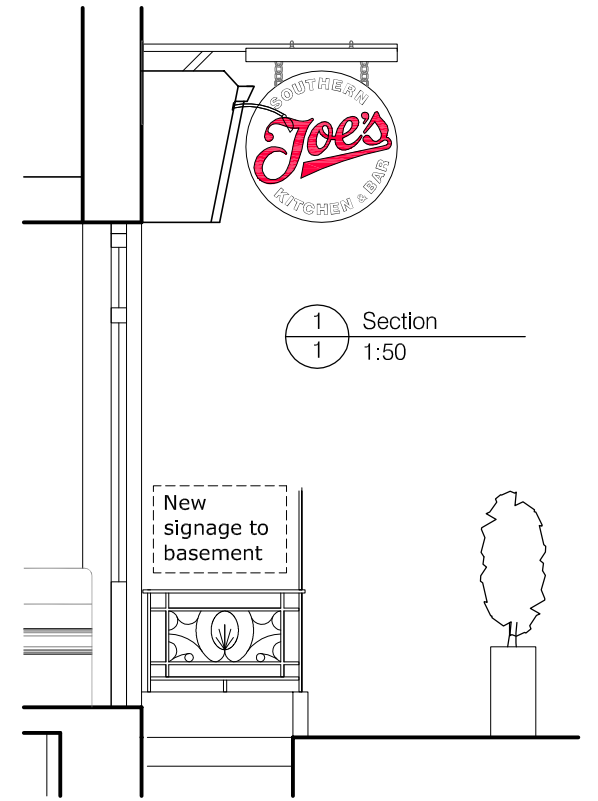
Double sided projecting sign on traditional gallows bracket externally illuminated

3D pressed metal lettering on existing timber fascia externally illuminated with LED trough

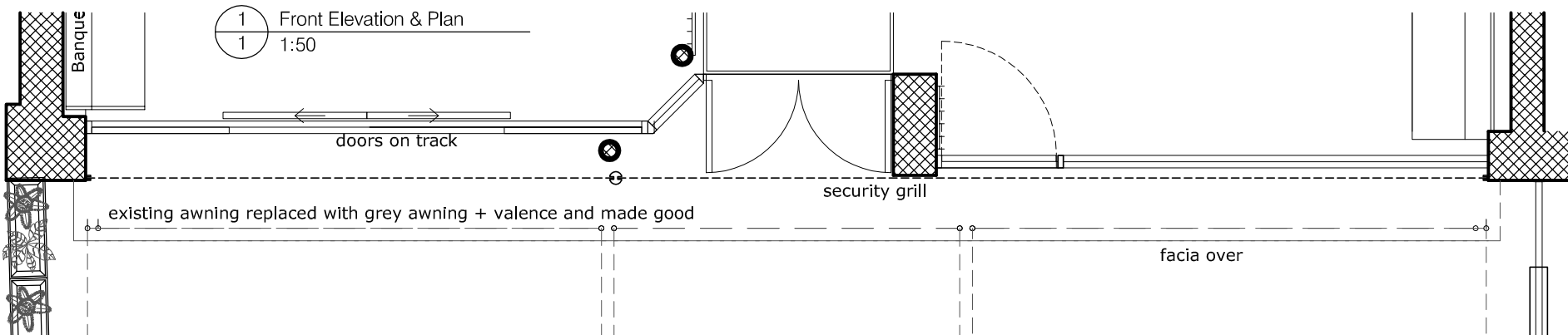
LED trough lights

Existing awnings replaced with similar no letters

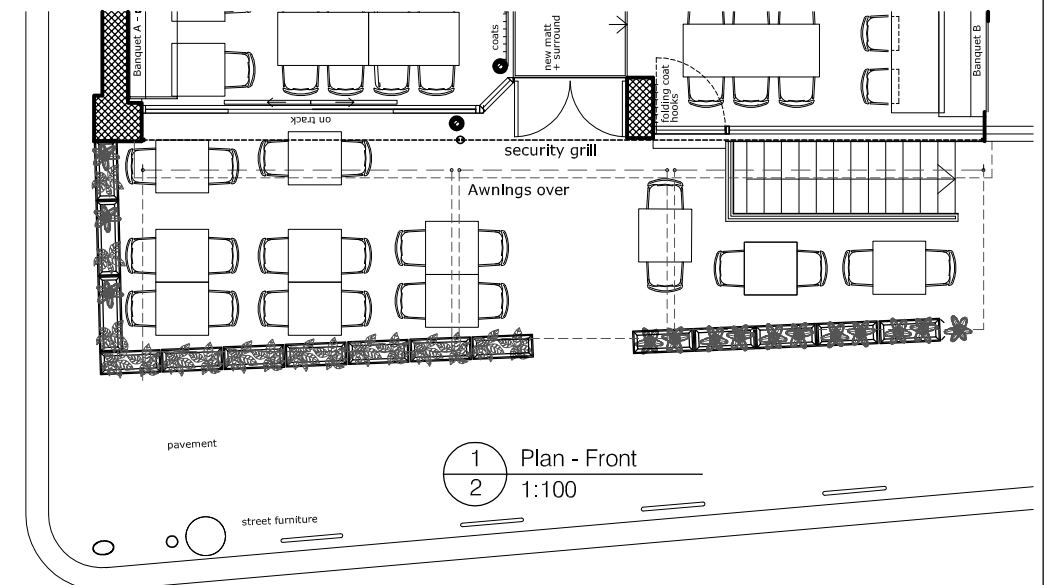
Steel cut out lettering red enamelled and on studs with external trough lighting



1 Section
1 1:50



1 Front Elevation & Plan
1 1:50



1 Plan - Front
2 1:100

Architectural & Interior Design
gareth williams & associates
Coombe Hollow Cockerhurst Road
Shoreham Kent TN14 7UA
Phone 01959 525071 Fax 01959 525069

INSTRUCTION
No dimension shall be scaled from this drawing Contractor to verify all dimensions on site before commencing work
This drawing is the property of gareth williams & associates and may not be reproduced without prior consent
Copyright

CLIENT Maxwell's Restaurants
JOB TITLE 298-301 Kentish Town Rd, NW5
DRAWING TITLE Front Elevation & Plan
Date 27/10/14 **Drawn By** AZR **Scale** 1:50 @ A3

Job NW5
Drawing No SK03
Rev D
Rev D
Rev D
Rev D

Rev D
D. 28/01/15
As advised by PC
C. 20/01/15
Notes added
1:50