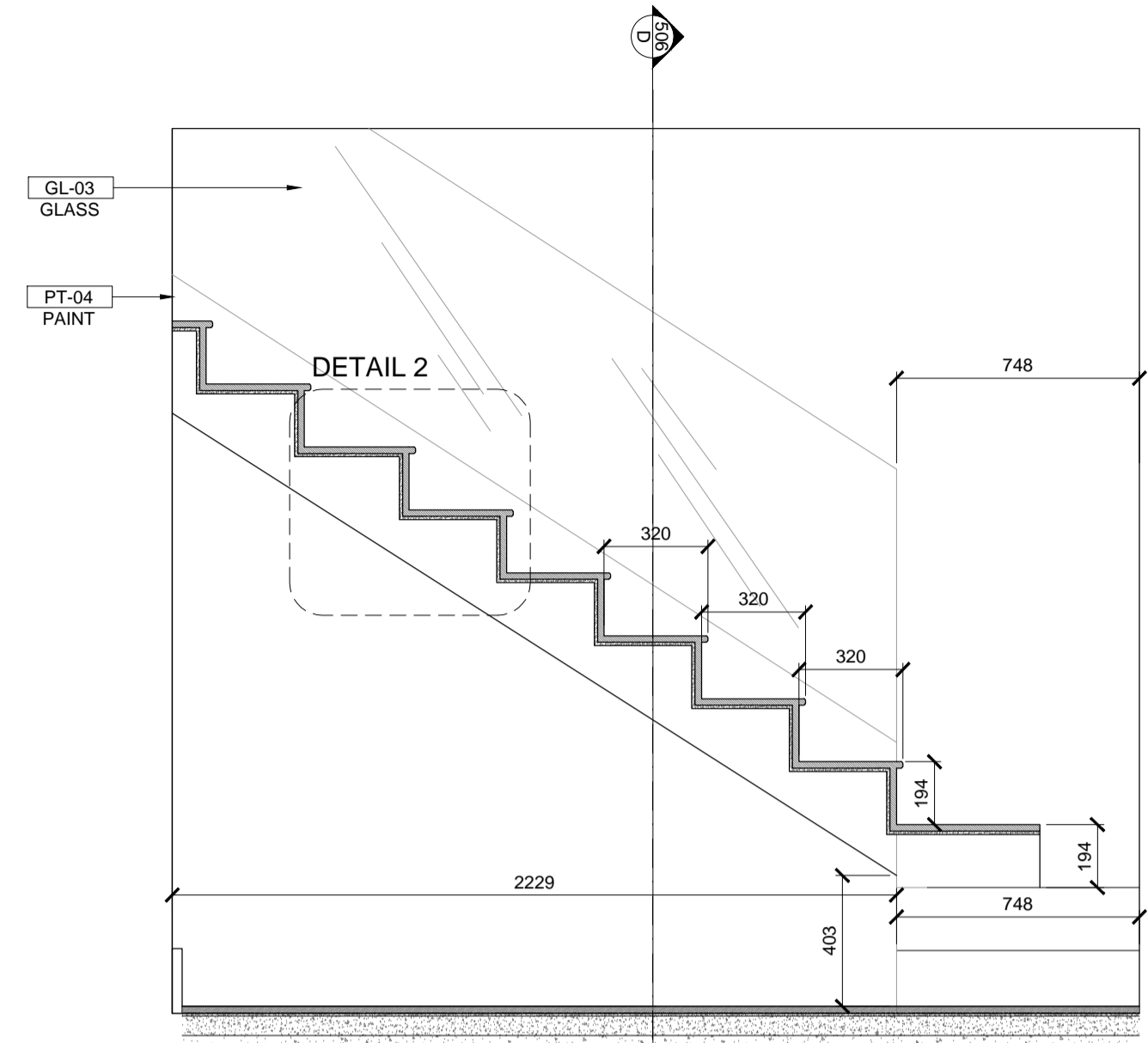
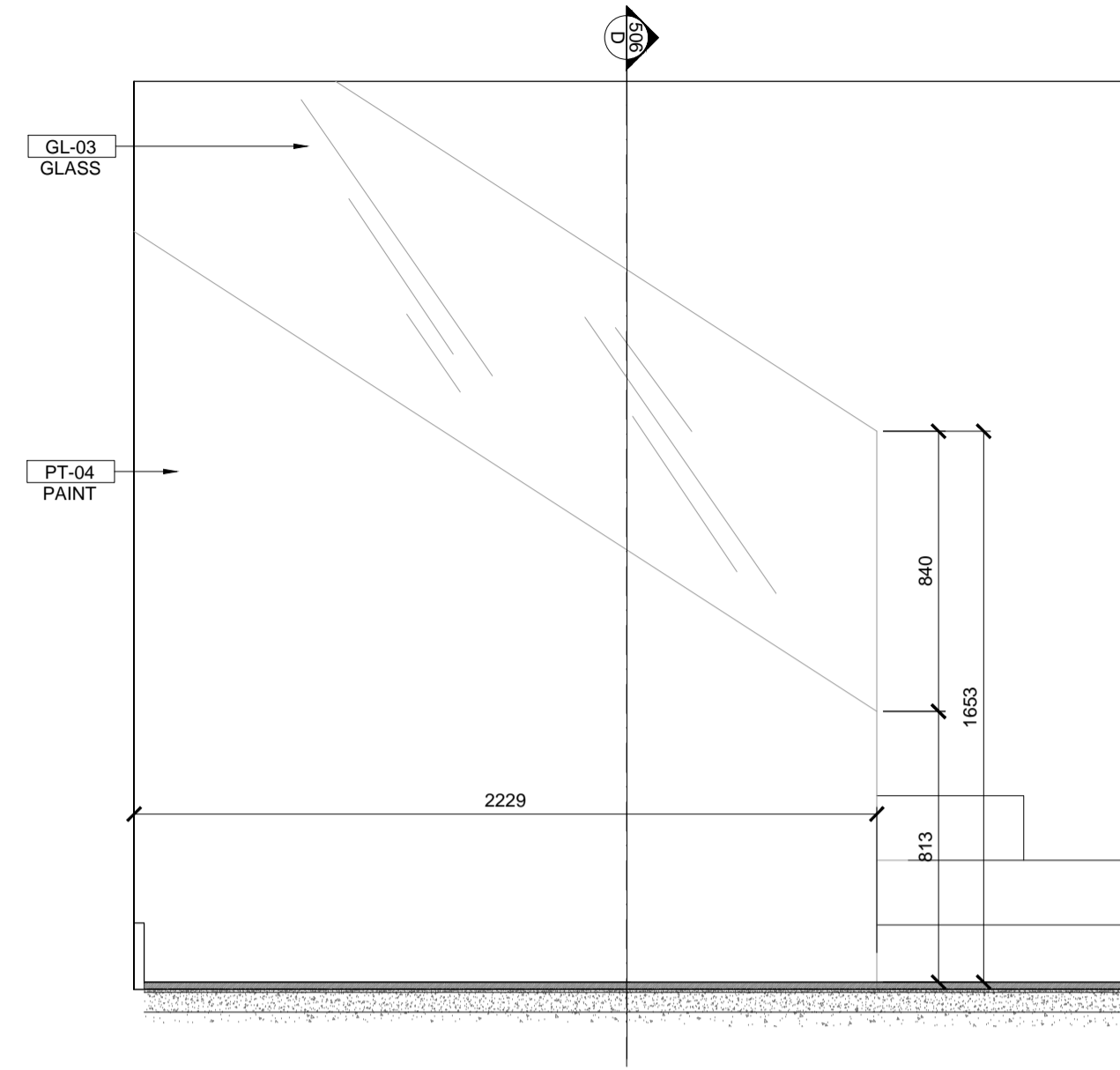


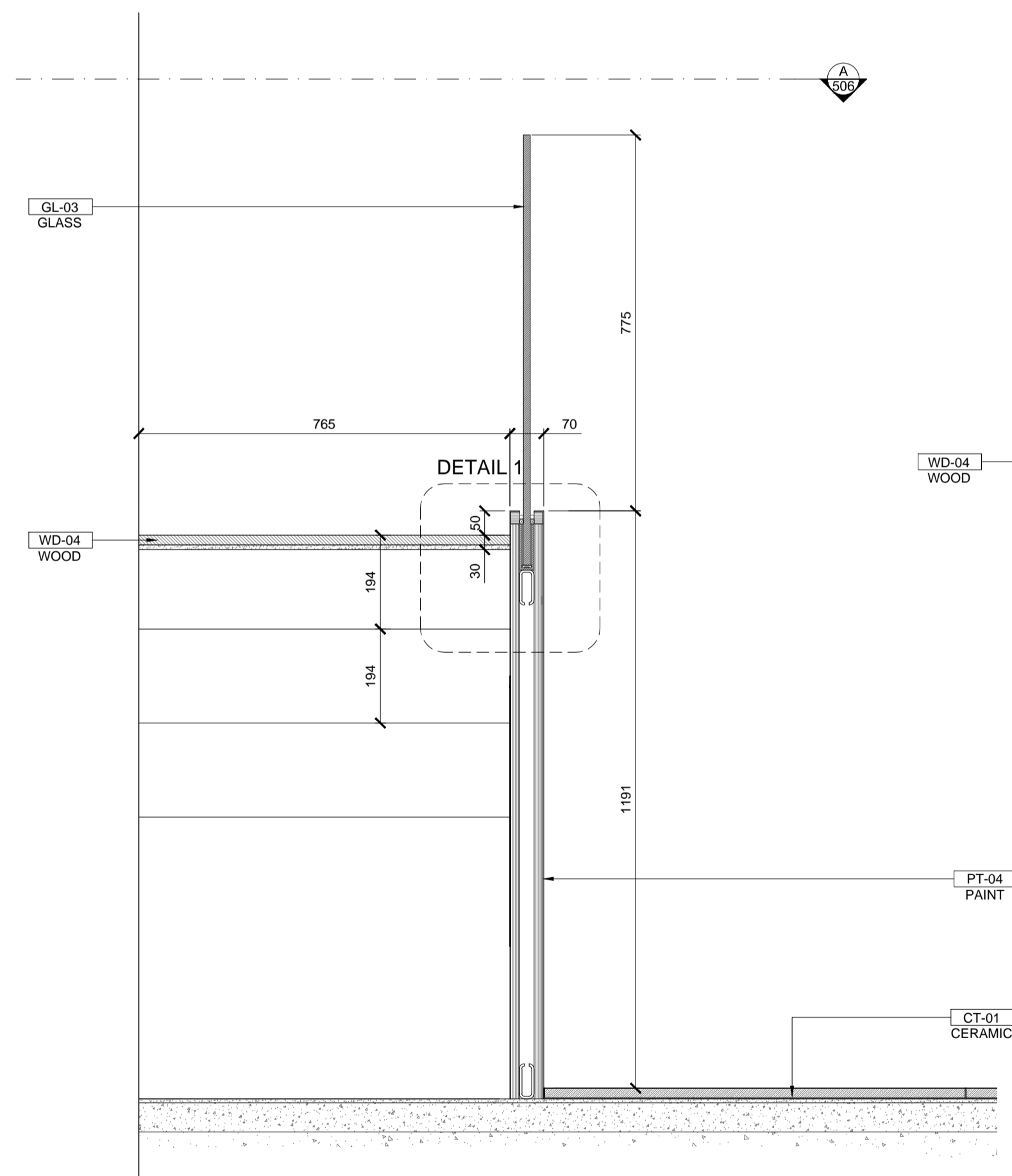
A- PLAN SECTION
SCALE 1:10



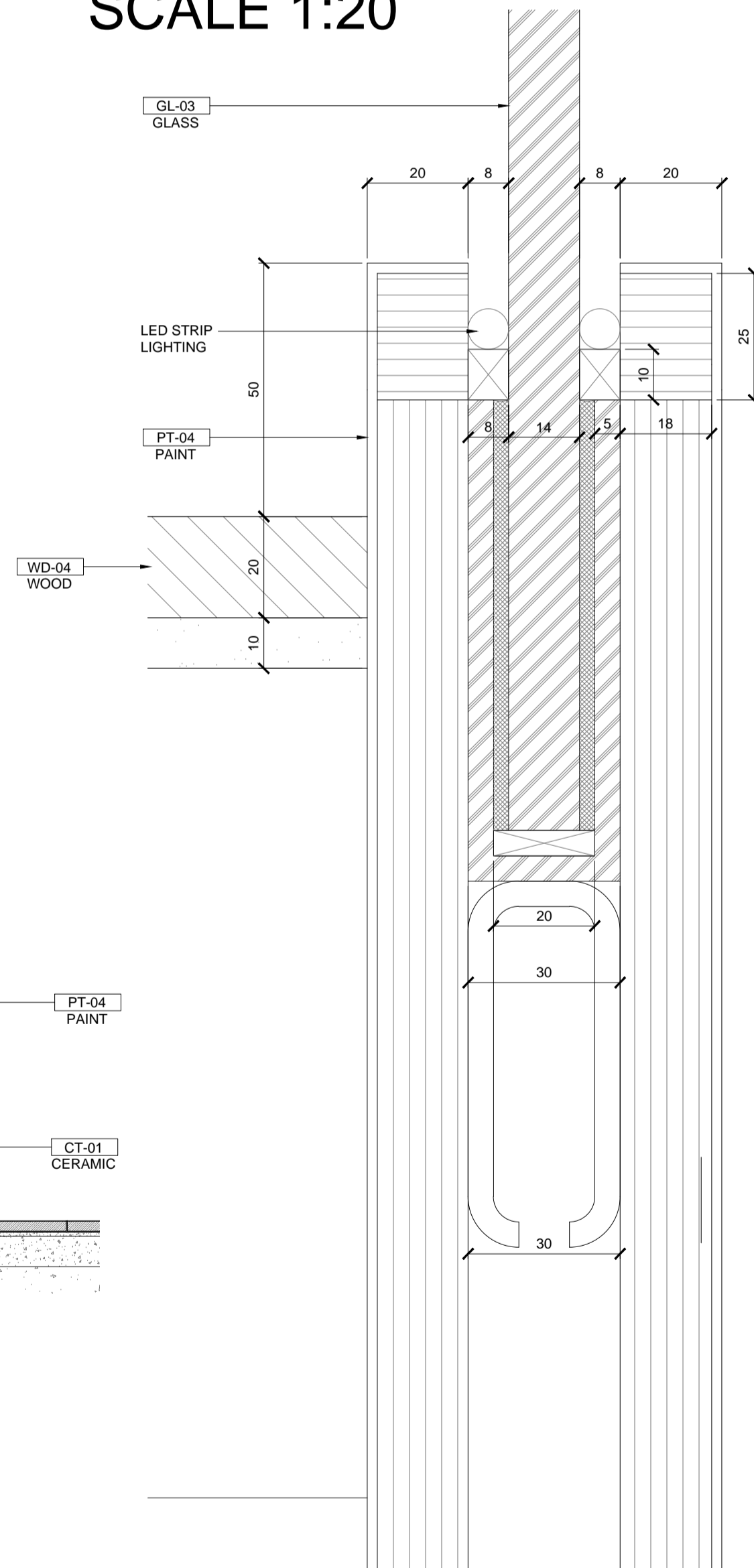
B- SECTION
SCALE 1:20



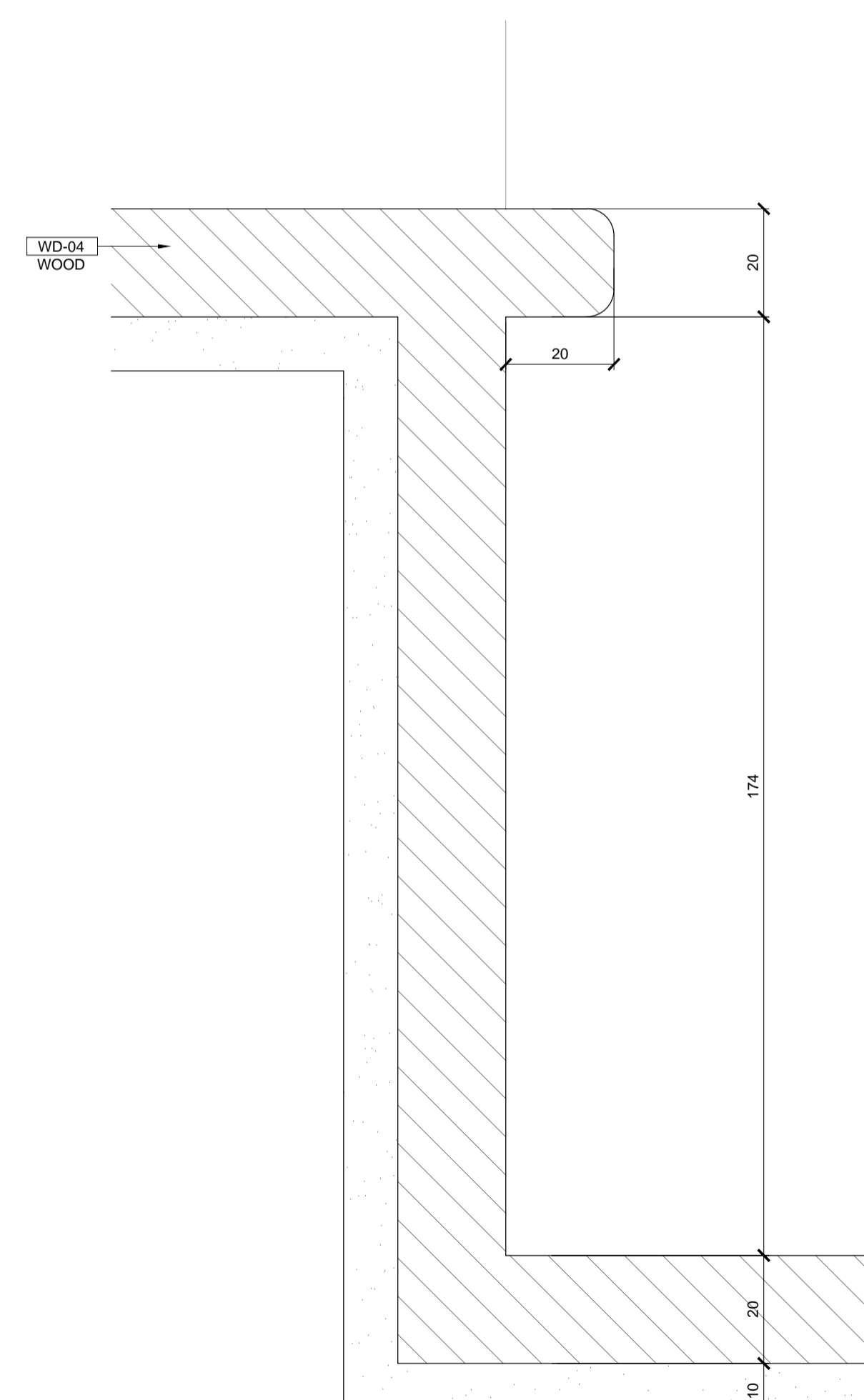
C- SECTION
SCALE 1:20



D- SECTION
SCALE 1:10



DETAIL 1
SCALE 1:1



DETAIL 2
SCALE 1:1

SPECIFICATIONS

ALL DIMENSIONS ARE FINISHED AND NOT CARCASS DIMENSIONS

- NOTES:
- 1.FRAME TO BE MANUFACTURED TO A HIGH QUALITY OF WORKMANSHIP SUITABLE FOR COMMERCIAL USE.
 2. ALL FINISHES & WORKSHOP DRAWINGS TO BE APPROVED BY ID
 3. MANUFACTURER TO RELAY ANY DISCREPANCIES TO SIGMA BEFORE WORKS CONTINUES
 4. ALL FINISHES TO BE APPROVED BY SAMPLE
 5. METAL/PLASTIC GLIDES ARE TO BE FITTED TO THE FEET OF ALL PIECES
 - 6 DRAWINGS SHOW DESIGN INTENT ONLY, MANUFACTURER TO CONFIRM ALL CHANGES FROM GENERAL DIRECTION SHOWN FOR SIGMA APPROVAL
 - 7.UPHOLSTERY FABRIC AS PER SCHEDULE
 - 8.CLASS 1. ALL FABRICS TO BE TREATED TO FIRE RESISTANCE.

IMPORTANT: MANUFACTURER TO ADVISE STITCHING LOCATION AND DETAIL. SIGMA TO APPROVE SAMPLE.

IMPORTANT: PROTOTYPE REQUIRED FOR SIGMA APPROVAL & ALL DIMENSIONS TO BE CHECK ON SITE

REVISIONS

Rev.	Date	Comment

PLANNING

© SIGMA SEIFERT 2014

NOTES

1. THE DRAWING SHOW DESIGN INTENT ONLY. ALL DIMENSIONS TO BE CHECKED ON SITE PRIOR TO CONSTRUCTION OR PRODUCTION. CONSTRUCTION DETAILS TO BE CONFIRMED BY CONTRACTOR/ MANUFACTURER BY SUBMITTING SHOP DRAWINGS FOR DESIGNER'S APPROVAL.
2. DESIGN / DRAWING IS NOT TO BE SCALED FOR PRODUCTION AND CONSTRUCTION PURPOSES
3. ALL DISCREPANCIES AND OMISSIONS ON SITE MUST BE REPORTED TO DESIGNER FOR THEIR COMMENTS OR APPROVAL PRIOR TO COMMENCING WORK.
4. ALL ELECTRICAL, LIGHTING, HVAC AND PLUMBING ISSUES TO BE REFERRED TO ENGINEER'S DRAWINGS PRIOR TO COMMENCEMENT OF WORKS.
5. THE DESIGNS ARE SUBJECT TO APPROVAL BY STATUTORY AUTHORITIES AND ANY NECESSARY ALTERATIONS SHOULD BE MADE IF REQUIRED TO COMPLY WITH STATUTORY REQUIREMENTS.
6. ALL DESIGN CONCEPTS AND DRAWINGS ARE THE PROPERTY OF SIGMA ARCHITECTURE AND INTERIORS AND COVERED BY COPYRIGHT. NO REPRODUCTIONS, ADAPTATIONS AND/OR COPIES MAY BE MADE WITHOUT WRITTEN PERMISSION BY SIGMA.

A1 Sheet

Project
CHESTER TERRACE LONDON
Title
BASEMENT
STAIR AND BALUSTRADE DETAIL

Date 11/11/10 Scale 1:20, 1:10, 1:1

Project No
SI7044

Drwg No 506 Rev. /

SIGMA SEIFERT
INTERIORS

SIGMA SEIFERT INTERIORS
4 Duke's Mews
London W1U 3ET
Tel +44 (0)20 7935 6984