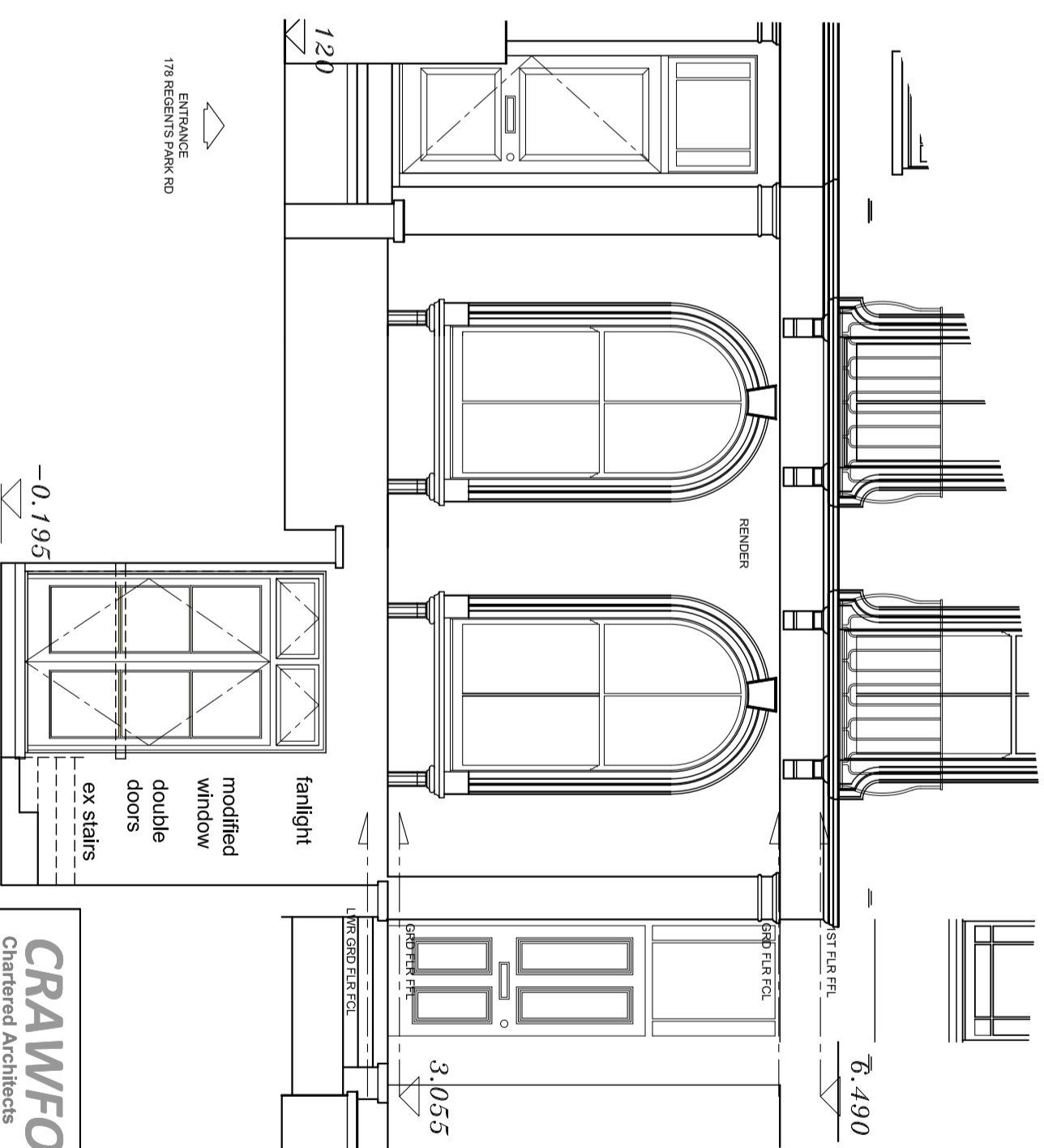


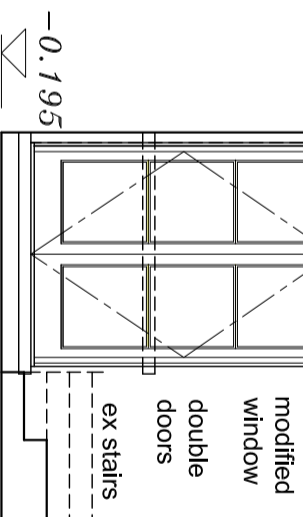
SCALE 1:50 @ A2



FRONT ELEVATION (WEST)



Part Elevation showing Lower Ground Floor window modified



CRAWFORD ARCHITECTS
Chartered Architects

planning

21 Cullinstock Road
London SW11 6LY
info@crawfordarchitects.co.uk
020 8287 4800

JOB: 178 REGENTS PARK ROAD LONDON NW1 8XP		SCALE: 1:50@A2	DATE: January 2015	DRN: -
DRAWING NUMBER: P-07		REVISION: -		

NB: THIS DRAWING IS PREPARED FOR TOWN PLANNING PURPOSES ONLY AND MUST NOT BE SCALED OR USED FOR CONSTRUCTION/OTHER PURPOSES