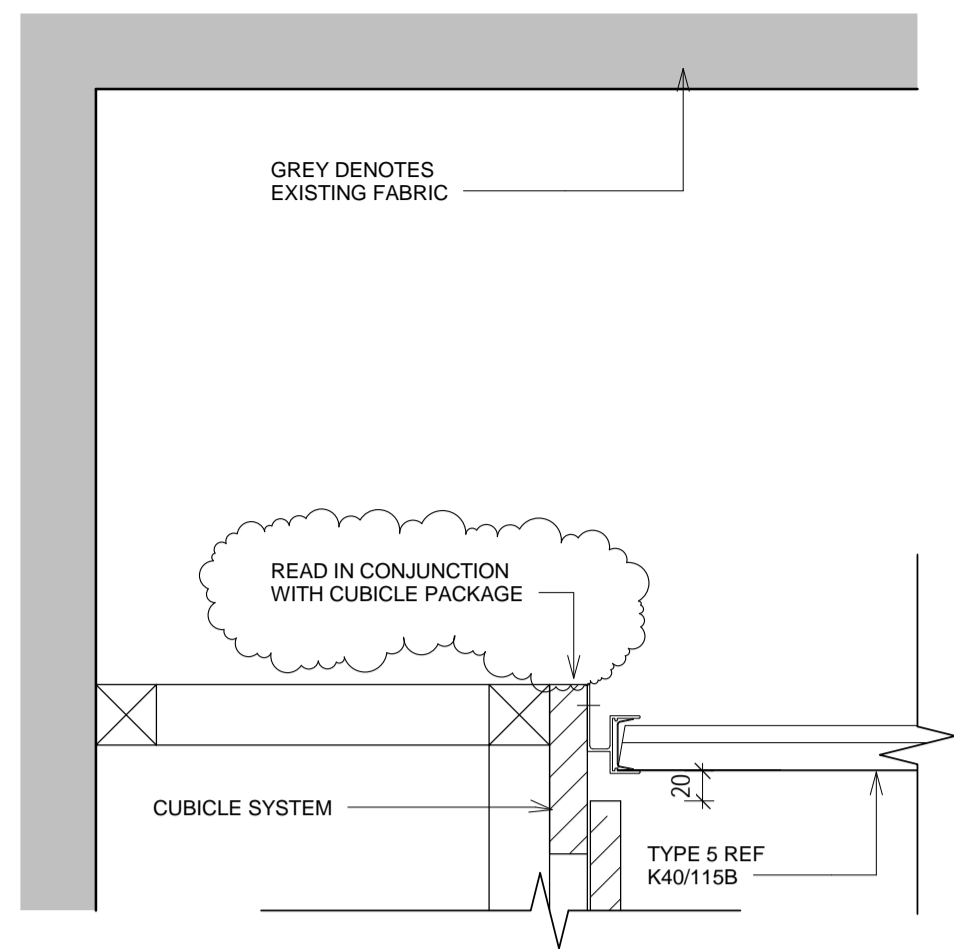
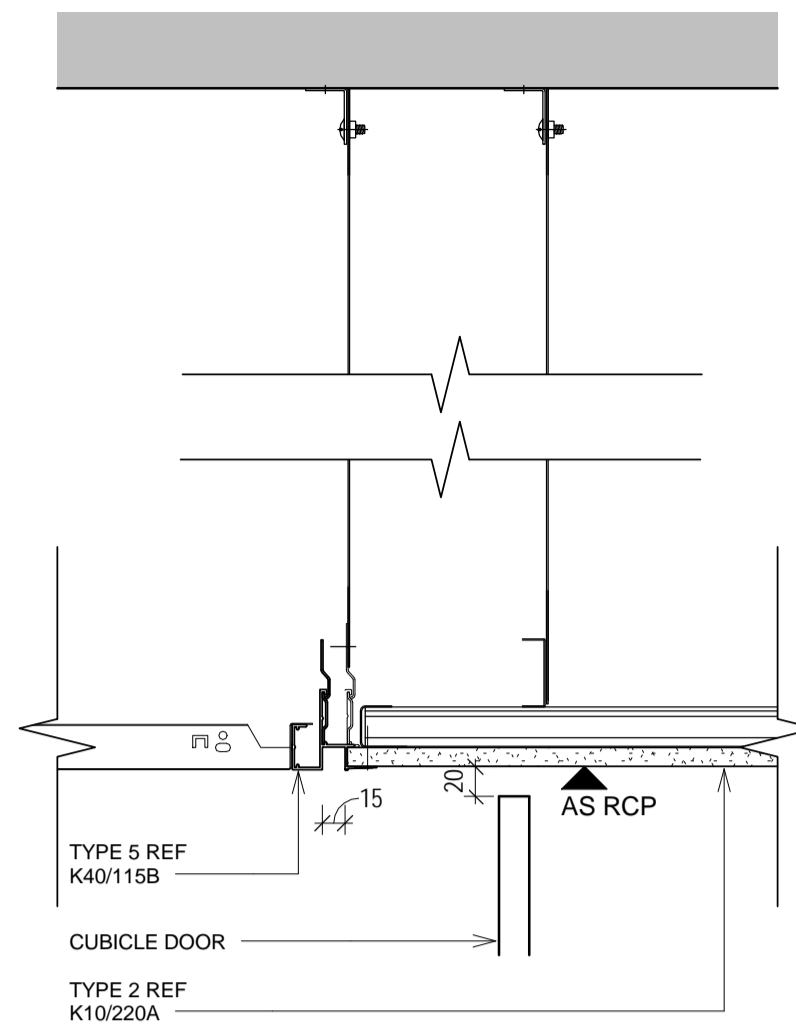


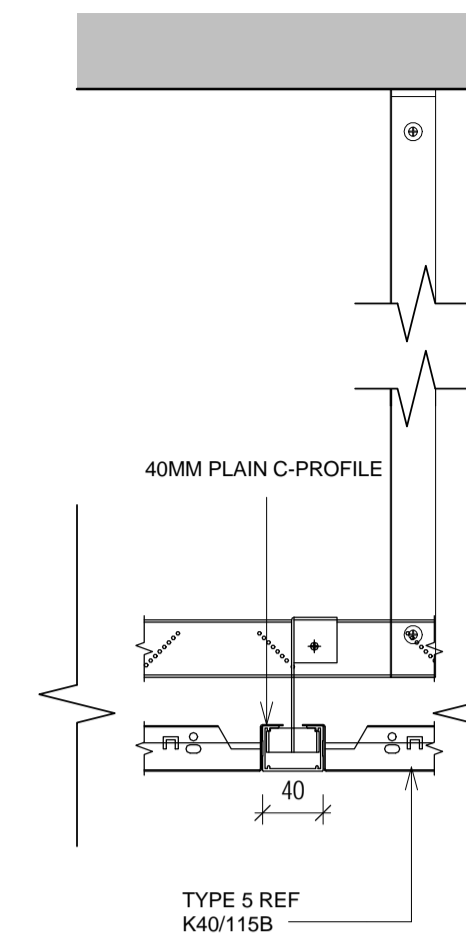
2 TYPE 5 PERIMETER DETAIL  
1:5



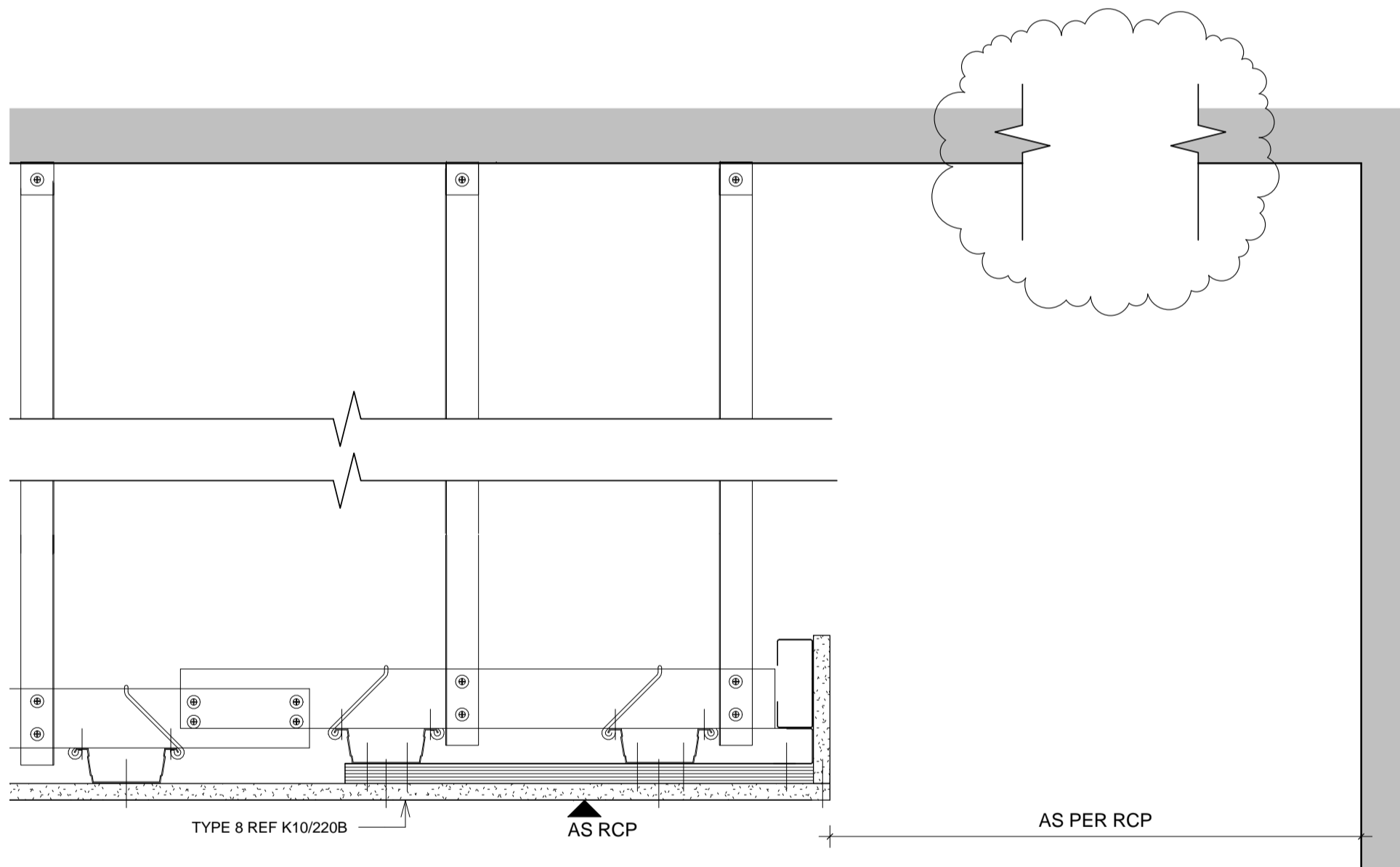
3 TYPE 5 - TYPE 2 TRIM  
1:5



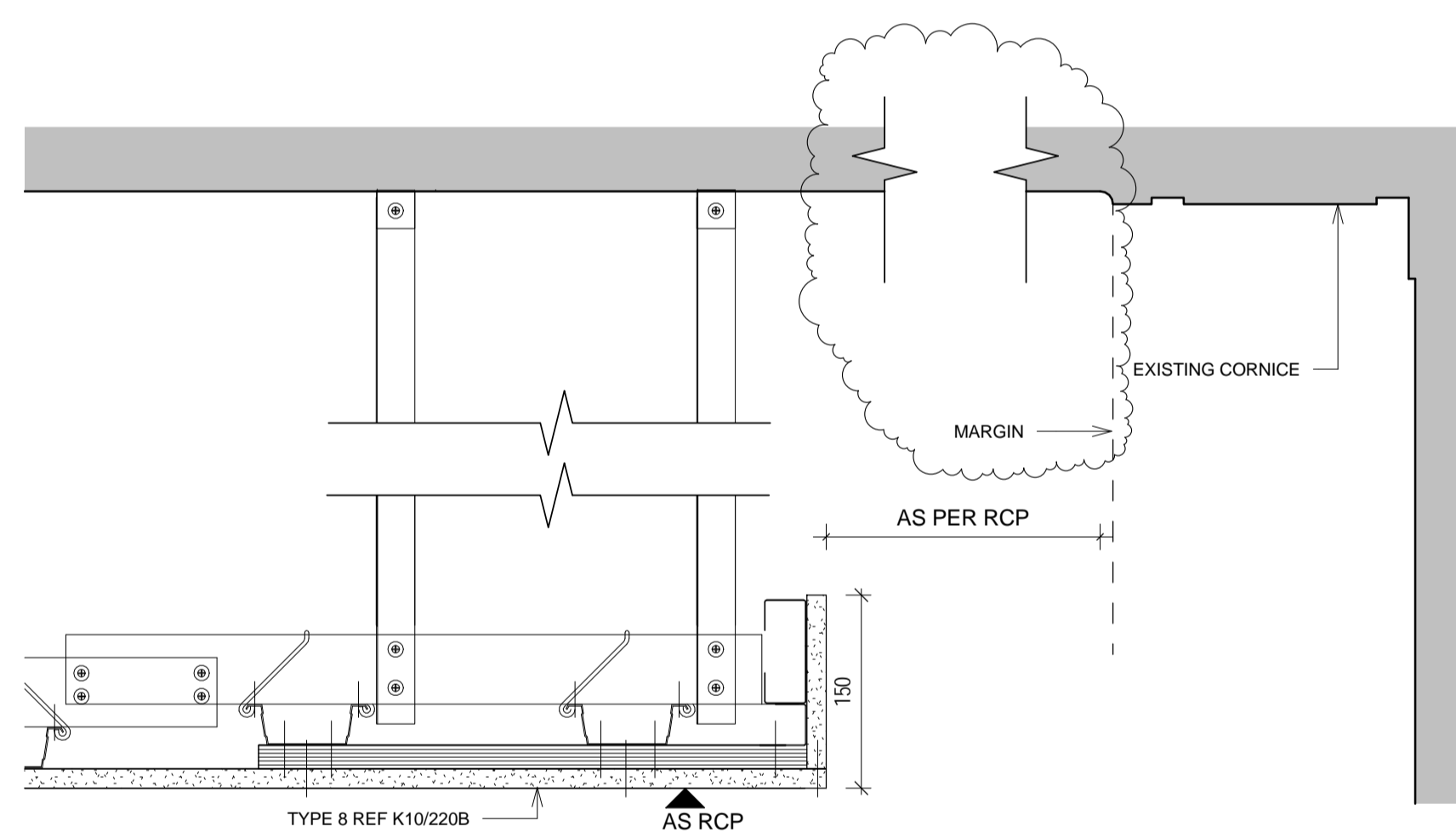
4 TYPE 5 BANDRASTER DETAIL  
1:5



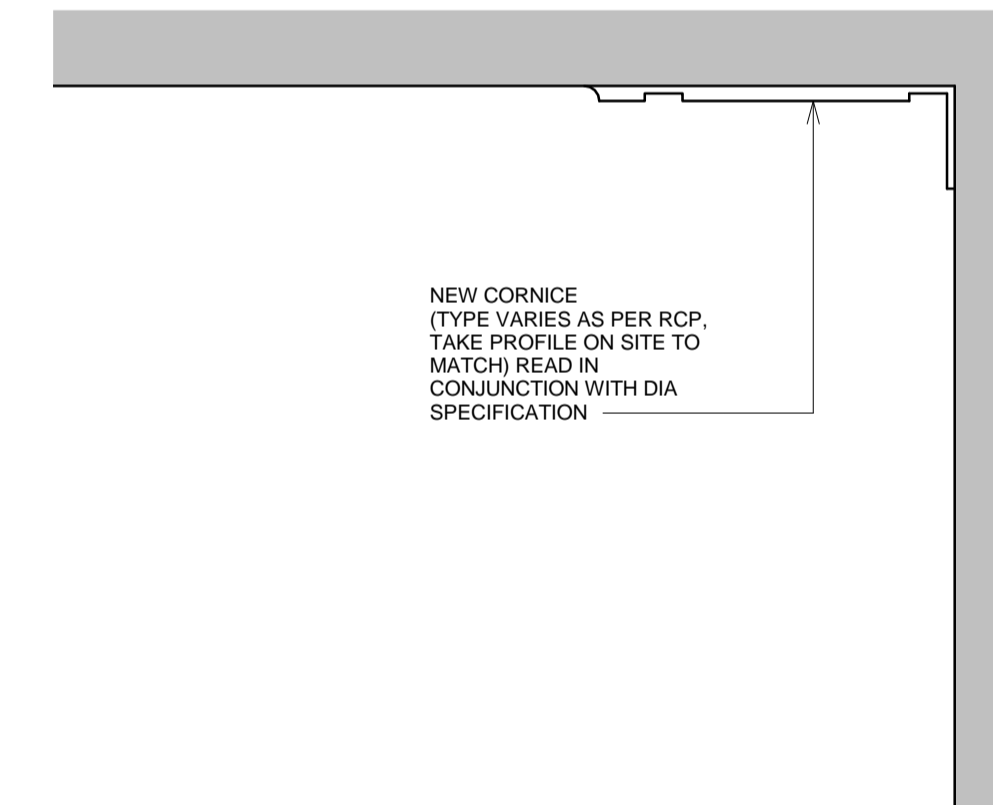
1 TYPE 5 - TYPE 2 BULKHEAD DETAIL  
1:5



5 TYPE 8 RAFT DETAIL  
1:5



6 TYPE 8 WITH CORNICE DETAIL  
1:5



7 NEW CORNICE ON EXISTING CEILING DETAIL  
1:5

© COPYRIGHT Mace Group  
NOT TO BE REPRODUCED WITHOUT WRITTEN PERMISSION.  
BECAUSE OF POSSIBLE SCALING ERRORS IN ELECTRONIC AND HARD COPY REPRODUCTION DO NOT SCALE FOR CONSTRUCTION PURPOSES.  
ALL DIMENSIONS TO BE CHECKED & VERIFIED ON SITE PRIOR TO CONSTRUCTION.

**Safety first. Second nature.**

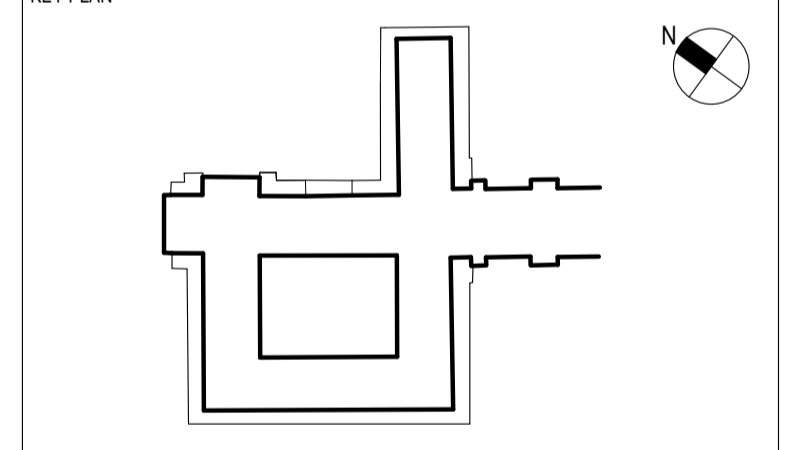
Safety, Health and Environment Information

The significant unusual hazards / risks associated with this type of work are noted as:

CONSTRUCTION	
CI	
CII	
OPERATION AND MAINTENANCE	
OI	
OII	
DISMANTLING/DEMOLITION	
DI	
DII	

NOTE - TO BE READ IN CONJUNCTION WITH RISK REGISTER

2	21.11.14	CONSTRUCTION ISSUE, UPDATED TO REFLECT GRAHAM'S COMMENTS	HB	EF/MD
1	15.10.14	CONSTRUCTION ISSUE	HT	EF/LT



PROJECT STATUS: **CONSTRUCTION**

CLIENT: **GRAHAM CONSTRUCTION**

**mace**  
155 Moorgate, London, EC2M 6XB  
www.macegroup.com

PROJECT TITLE:  
**SOAS INTO SENATE HOUSE  
MALET STREET  
LONDON, WC1E 7HU**

DRAWING TITLE:  
**CEILING DETAILS  
SHEET 3**

PROJECT NO.	DRAWN BY	HT	DATE	15.10.14	
28731	CHK BY	EF	DATE	15.10.14	
	APPD BY	LT	DATE	15.10.14	
PROJECT CODE	DISC.	VIEW TYPE	VIEW CAT.	LEVEL	DWG. NO.
SOAS - A	- DET	- GEN	- XX	-	764
SHEET NO.	SCALE	ORIG. SHEET SIZE	REV.		
3 of 3	1:5	@ A1	C 2		

INFORMATION HANDLING CLASSIFICATION  
**UNRESTRICTED**