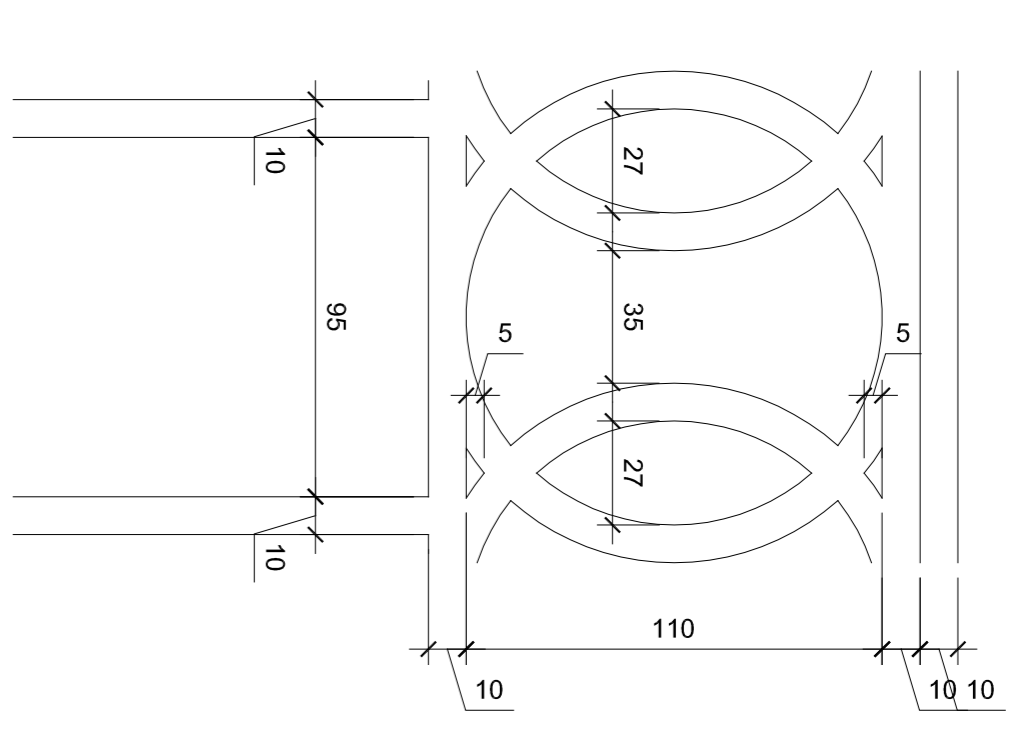
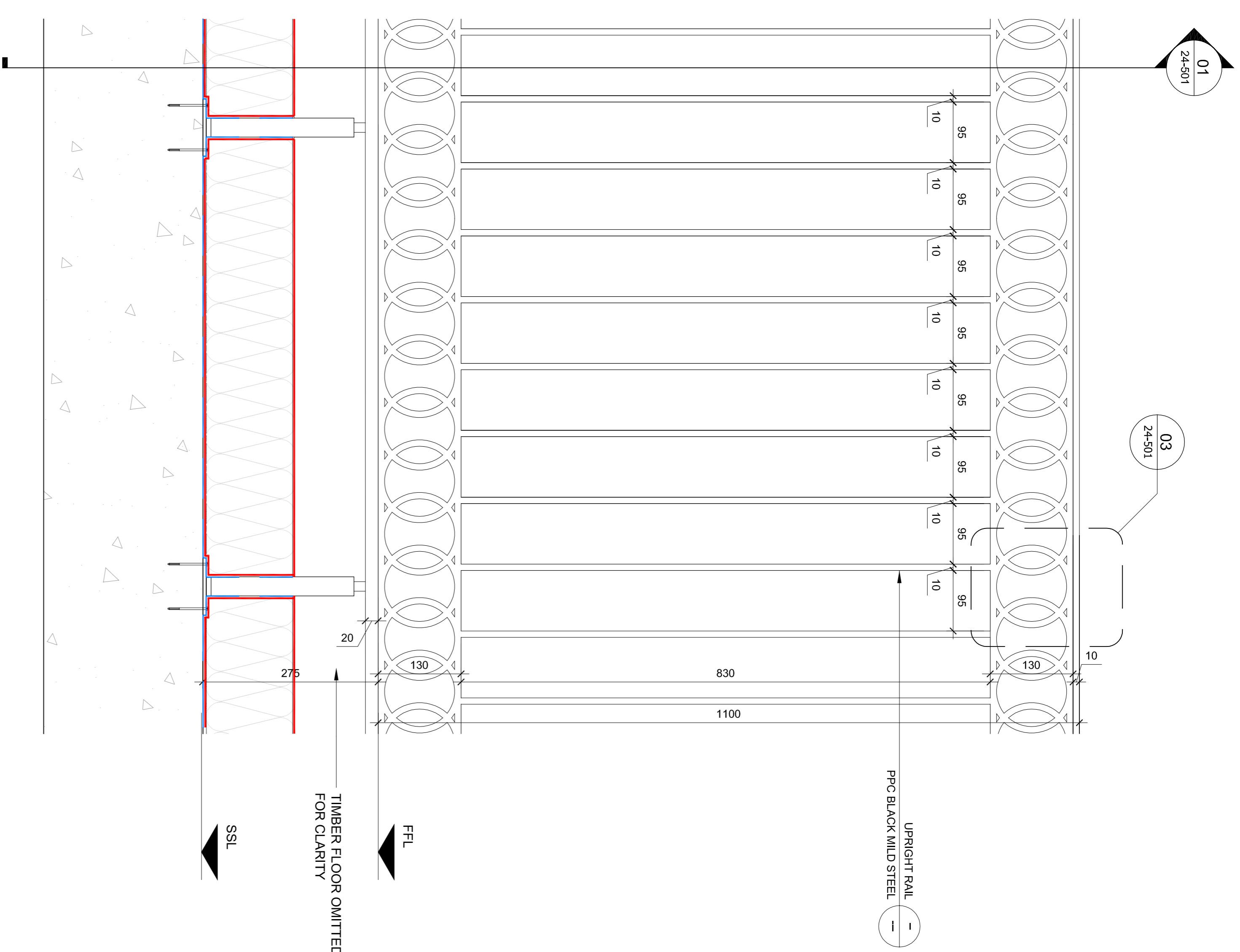


06	06	06	06	06	06	06	06	06	06
07	07	07	07	07	07	07	07	07	07
08	08	08	08	08	08	08	08	08	08
09	09	09	09	09	09	09	09	09	09
10	10	10	10	10	10	10	10	10	10

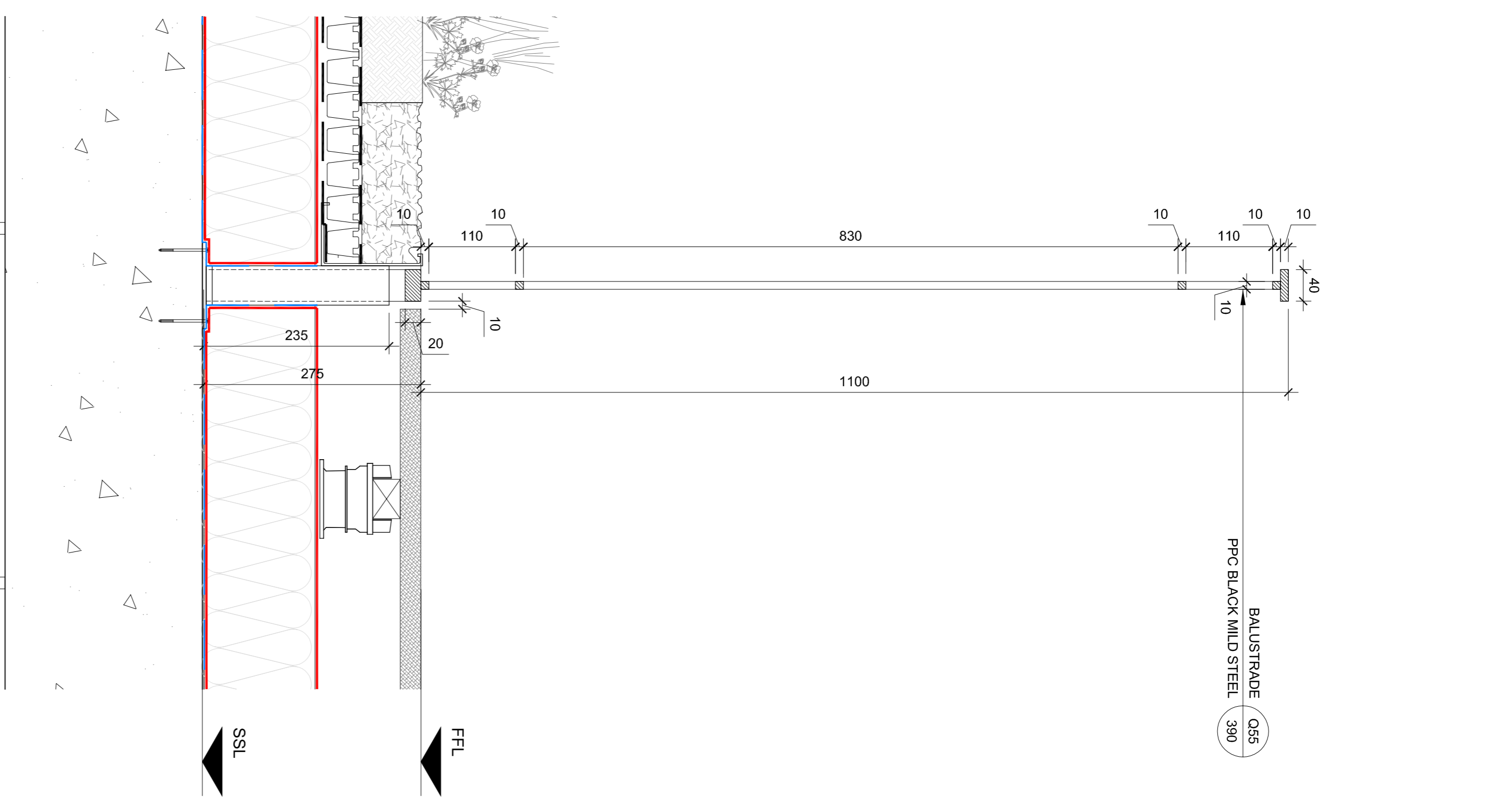
1. BALUSTRADE LOADS TO BE CHECKED BY STRUCTURAL ENGINEERS BEFORE MANUFACTURED AND TO COMPLY TO BS EN 1994-1-1
2. FINING TO BALUSTRADE IN ABEVANCE SUBJECT TO FINALISATION OF ROOF DETAILS



03 02 TYPICAL BALUSTRADE DETAILS  
SCALE 1:2



02 01 TYPICAL ROOF TERRACE BALUSTRADE ELEVATION  
SCALE 1:5



01 01 TYPICAL ROOF TERRACE BALUSTRADE SECTION DETAIL  
SCALE 1:5

CDM RISKS & HAZARDS			
Specific risk assessments relating to this drawing are:			
106	207	209	210

Read in conjunction with the Project Risk Assessment Schedule.

**IMPORTANT NOTE**  
All dimensions and conditions are to be checked on site by the contractor prior to checking that there is no conflict between the dimensions and drawn dimensions.  
In the event of any detail or dimensional conflict between Veretec Limited drawings, the matter must be referred back to Veretec Limited for clarification.

**Veretec Limited.**  
36-40 York Way  
London N1 9AB 7943 9199  
Fax +44 (0)20 7943 3201  
Email london@veretec.co.uk  
Web: www.veretec.co.uk

**Client**  
KNIGHT HARWOOD  
73 CHARLOTTE STREET

**Title**  
TERRACE BALUSTRADE DETAILS

Date	Drawn	Checked	Authorised
JUL 2014	OG	SF	KM

Scale 1:5/1:2@A1  
Issue status

**EDT REVIEW**

Drawing number  
21164-09-AR-24-501  
Client Drawing number