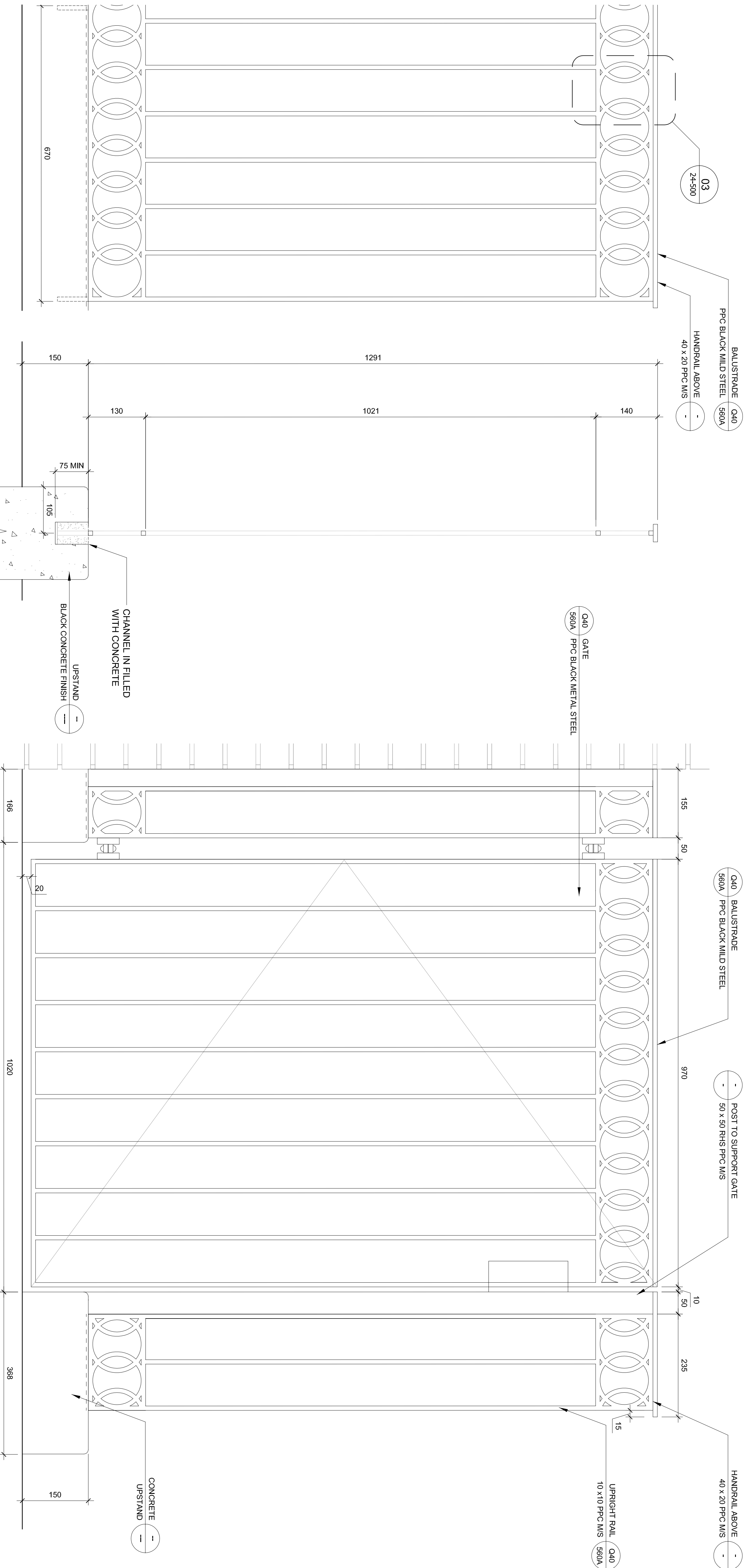
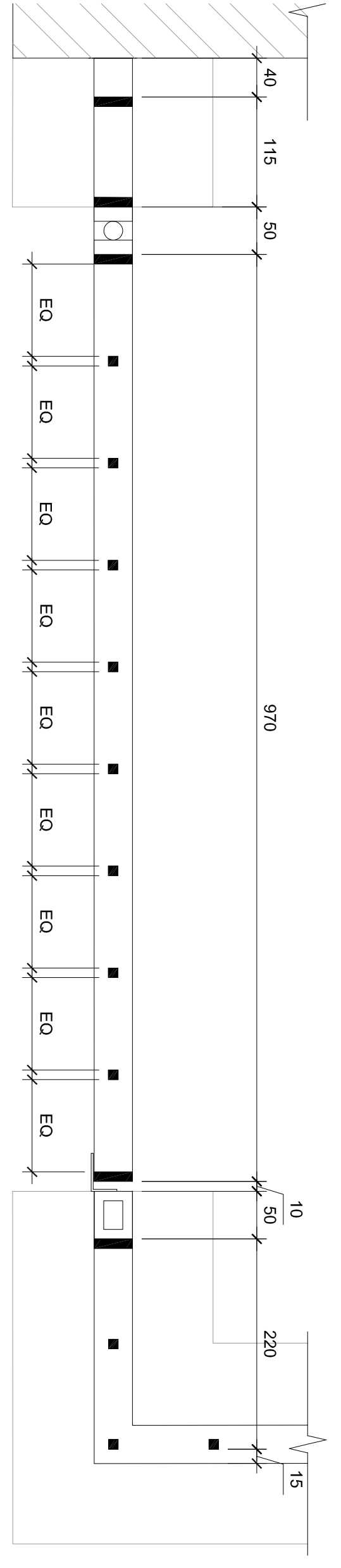
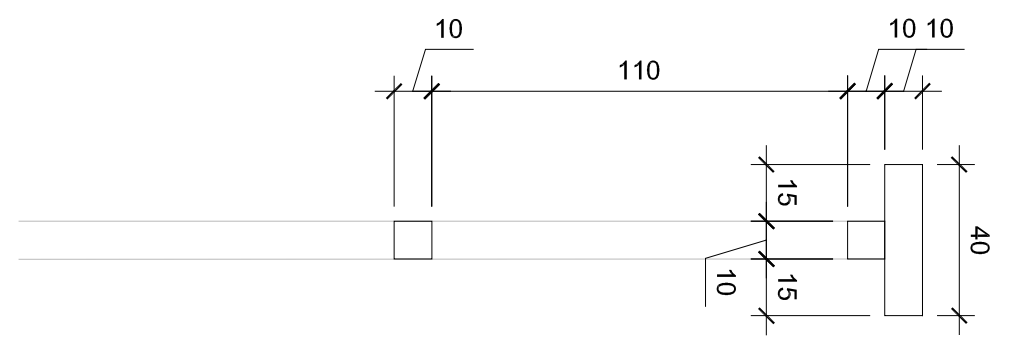
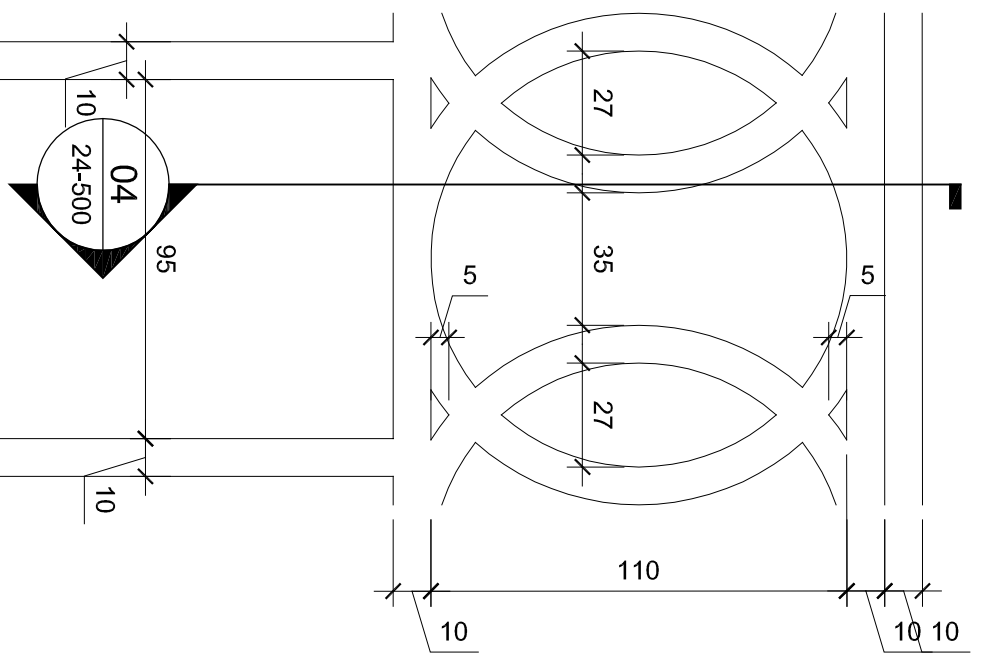


1. BALUSTRADE LOADS TO BE CHECKED BY STRUCTURAL ENGINEERS BEFORE MANUFACTURED AND TO COMPLY TO BS EN 1991-1-1



01 01 COMMERCIAL UNIT BALUSTRADE ELEVATION & SECTION
SCALE 1:5
24-500 00-100

02 01 FIRE ESCAPE GATE ELEVATION
SCALE 1:5
24-500 00-100



03 01 COMMERCIAL UNIT BALUSTRADE DETAILS
SCALE 1:2
24-500 00-100

04 01 COMMERCIAL UNIT BALUSTRADE DETAILS
SCALE 1:2
24-500 00-100

05 01 FIRE ESCAPE GATE PLAN
SCALE 1:5
24-500 00-100

CDM RISKS & HAZARDS			
Specific risk assessments relating to the drawing are:			
106	207	209	210
Read in conjunction with the Project Risk Assessment Schedule.			

Veretec

19/12/2014 - RAILING CORNING'S AMENDED
02/12/2014 - BALUSTRADE CHANGED FOLLOWING
03/09/2014 - SITE INSTALLATION
15/08/2014 - AMENDED RAILINGS TO GATE
15/08/2014 - AMENDED RAILINGS

IMPORTANT NOTE
All dimensions and conditions are to be checked on site by the contractor prior to checking that there is no conflict between the dimensions and drawn dimensions.
In the event of any detail or dimensional conflict between Veretec Limited drawings, the number must be referred back to Veretec Limited for clarification.

Veretec Limited.
36-40 York Way
London N1 9AB
Tel: +44 (0)20 7963 9199
Fax: +44 (0)20 7963 3201
Email: london@veretec.co.uk
Web: www.veretec.co.uk

Client
KNIGHT HARWOOD
73 CHARLOTTE STREET

Title
PROPOSED COMMERCIAL ENTRANCE
FENCING DETAILS

Date Drawn Checked Authorized
JUL 2014 OG SF KM
Scale
1:5/1:2@A1
Issue status
EDT REVIEW

Drawing number
21164-09-AR-24-500
Client Drawing number
Rev D
© Copyright 2000 - All rights reserved. Ltd 23 Jan 15 11:50 AM By Stuart Paulino