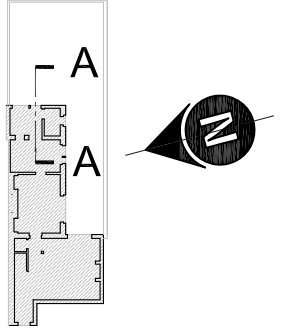


Key Plan:



Client: **Simon Fraser Architect**
B.Arch (Hons) M.Arch RIBA, RIAS

NOTES

1. Do not scale from this drawing.
2. Use figured dimensions only.
3. All dimensions to be checked on site. Report discrepancies to the Architect immediately.
4. Original drawing size A3.

00 22-01-15 Issued for Planning

Drawing Status

Stamps

Project

**Flat 8a WILLOUGHBY ROAD,
HAMPSTEAD VILLAGE, NW3**

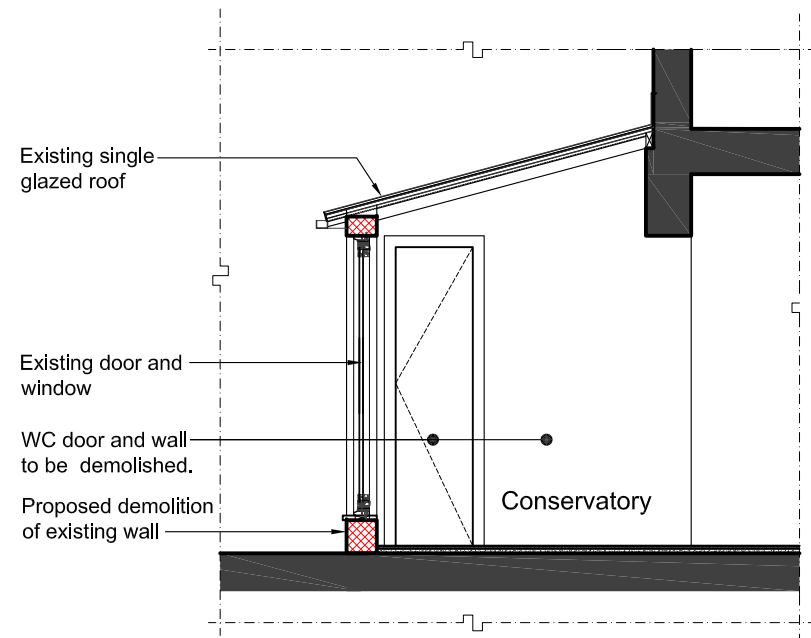
Drawing Title

**Existing and Proposed
Part Section**

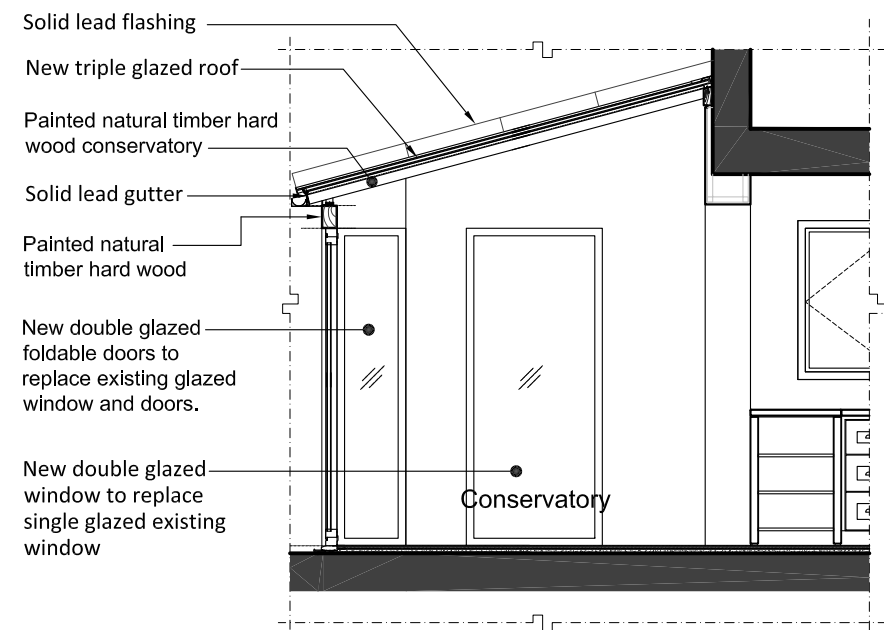
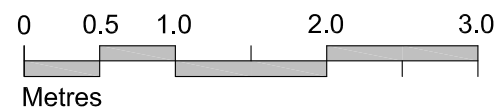
Date	22-01-15	Drawn by	LB	Checked by	
------	----------	----------	----	------------	--

Computer file ref.no.

Scale	1:50 @ A3	Drawing Number	WBR- 10	Rev.	00
-------	-----------	----------------	---------	------	----



1 Existing Part Section A-A
SCALE: 1:50 @ A3



2 Proposed Part Section A-A
SCALE: 1:50 @ A3