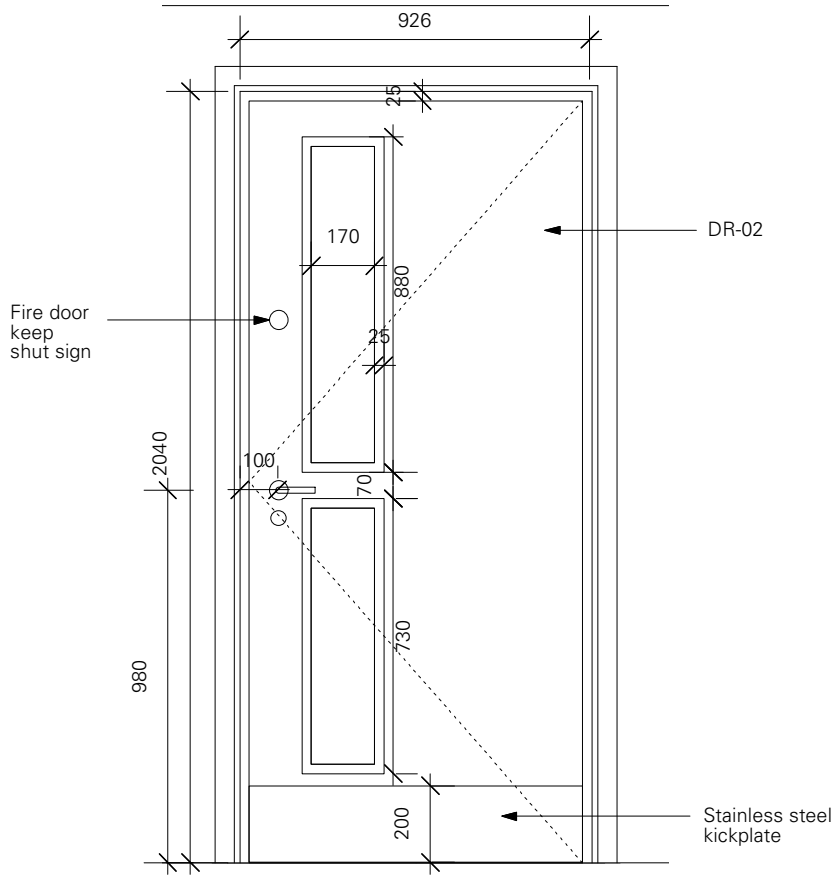
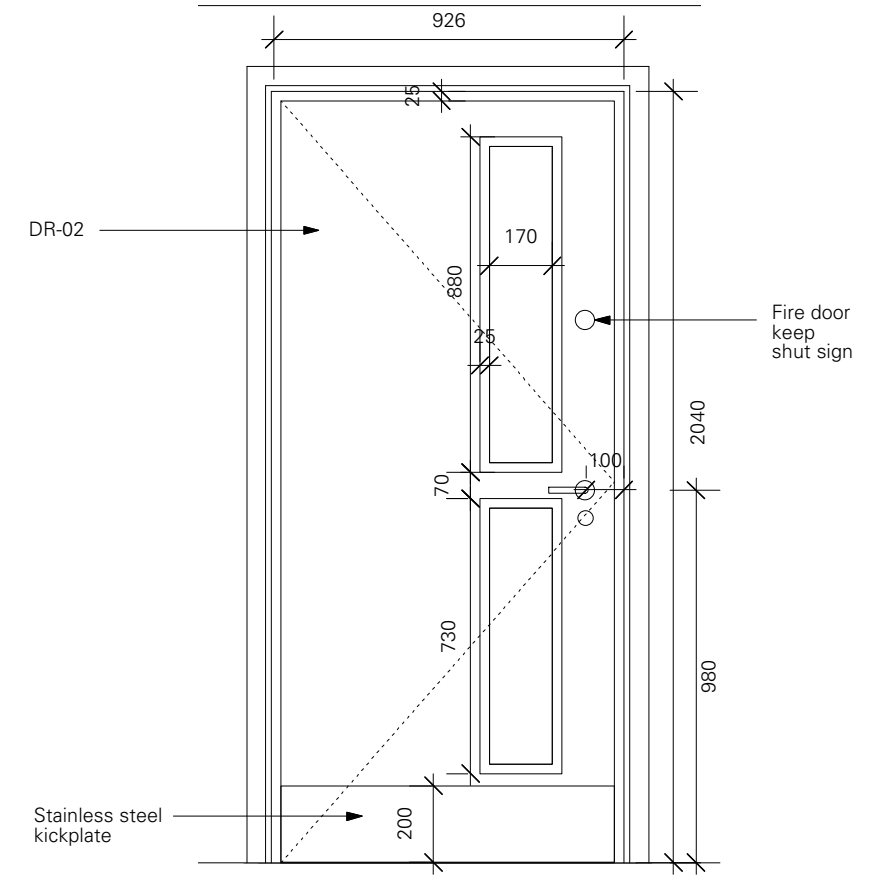


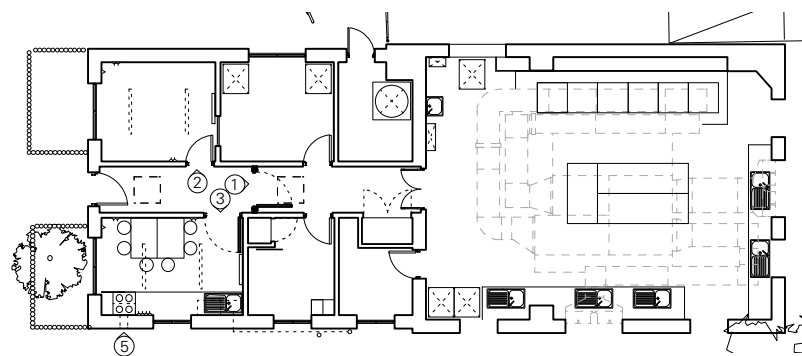
1 Elevation d. G39.b  
Elevation showing proposed new corridor door.



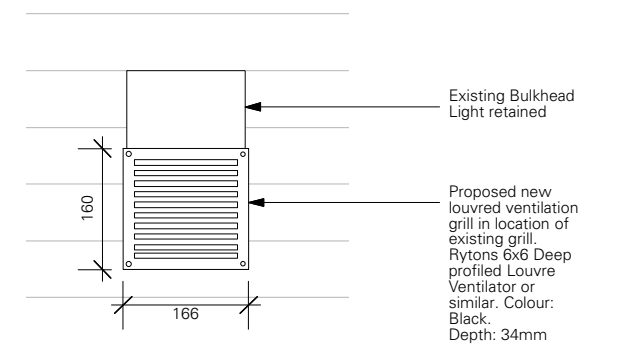
2 Elevation d. G36.a  
Elevation showing proposed new door to G36



3 Elevation d. G42.a  
Elevation showing proposed new door to G42



4 Key Plan  
1: 200



5 Exterior Vent Elevation  
1: 20

PLANNING

NOTE:  
To be read in conjunction with  
-SE specification and drawings.  
-Architects specification and  
drawings  
-M&E Specification

Notes:  
1. Do not scale from this drawing.  
2. All dimensions in mm unless noted otherwise.  
3. All dimensions to be checked on site and discrepancies to be notified to A&S in writing.  
4. Copyright Adams & Sutherland Ltd.  
5. If in doubt, ask.

Date: 14.01.2015 Drawn: SI Checked: FR Approved: GS  
0 100 500 1000mm  
Scale 1:20 @ A3

Client: Client Name  
Job  
Beckford Classroom Works  
Plot  
Plot 01

Drawing Title: Kitchen/Teaching Kitchen  
Proposed Door & Ventilation Grill Elevations

Adams & Sutherland  
architecture landscape urban design  
Tel: 020 7267 1747  
Fax: 020 7482 2359  
info@adams-sutherland.co.uk  
Studio 1K, Highgate Business Centre  
33 Greenwood Place, London NW5 1LB

Drawing No. 240\_308  
Rev. -