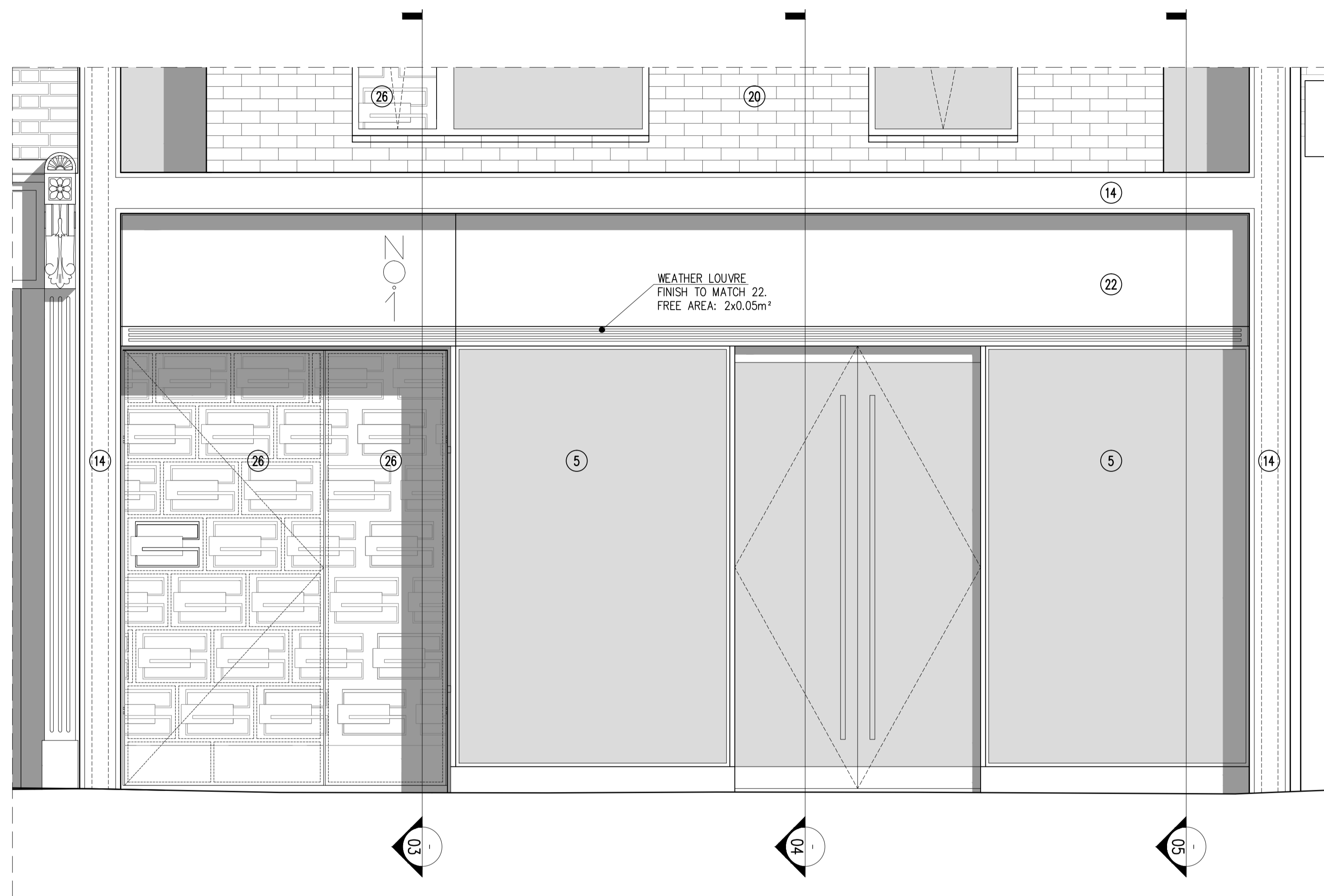


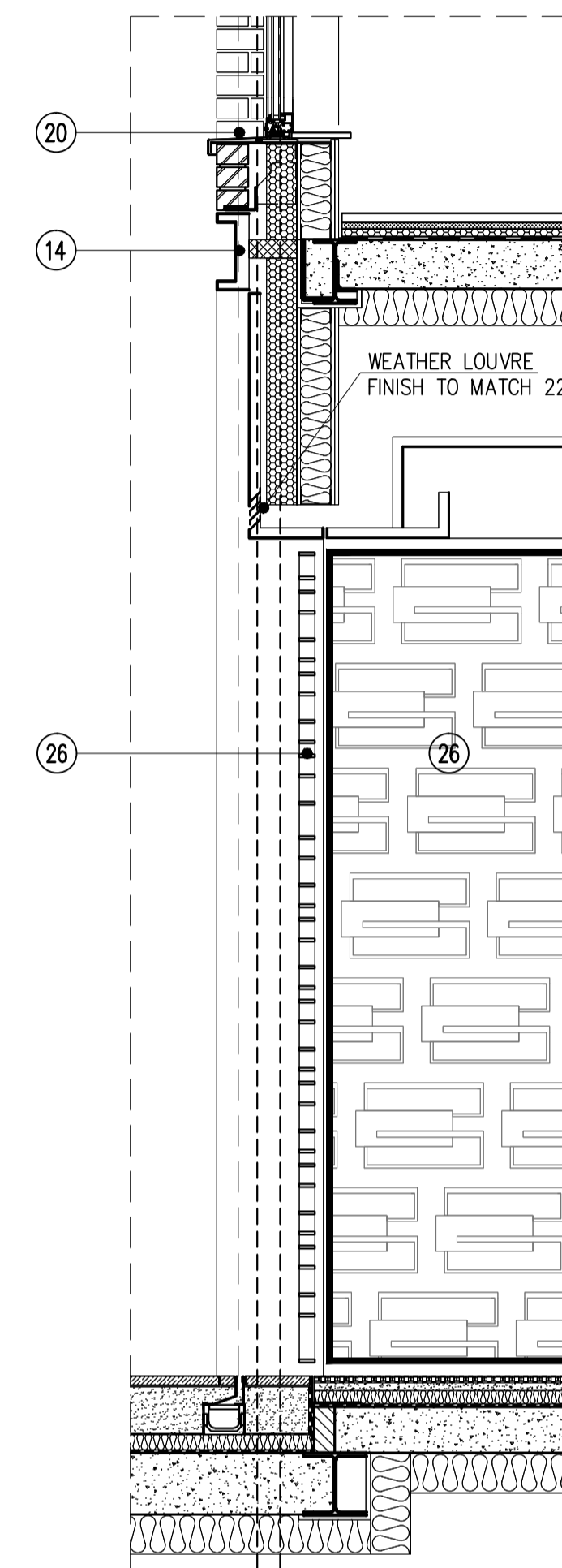
Copyright Rolfe Judd Ltd

NOTES

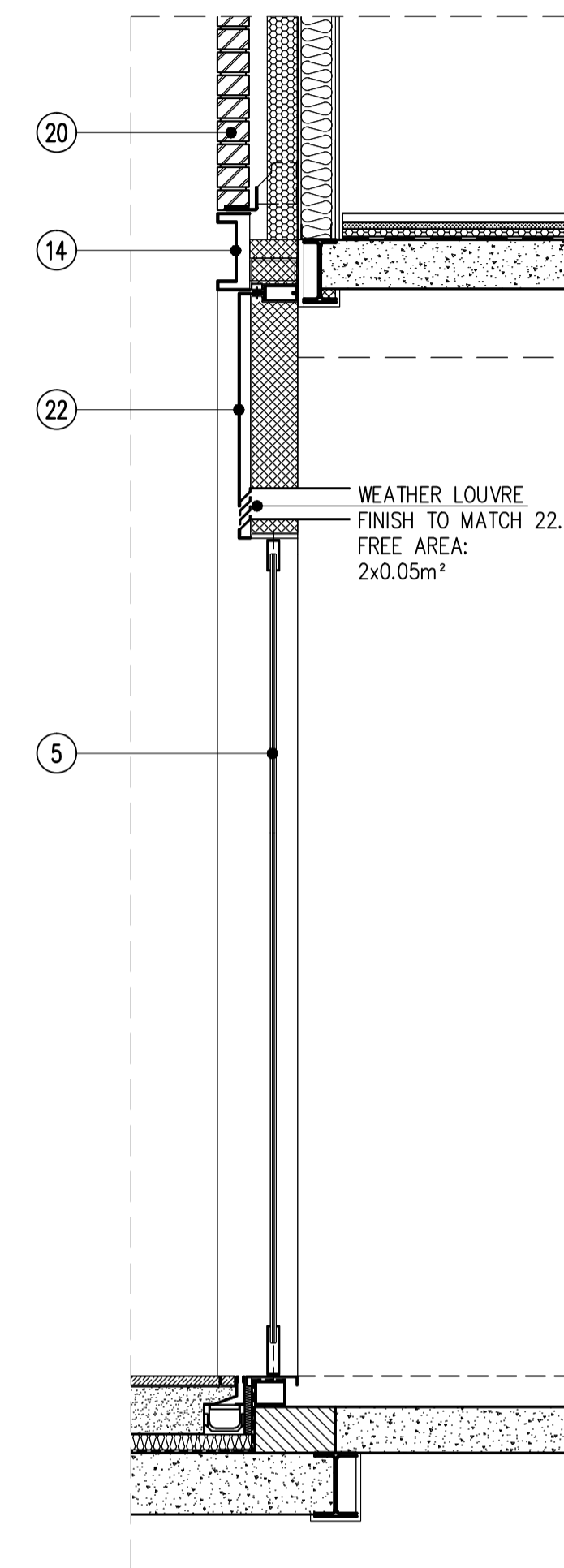
- 1 The Contractor must check and confirm all dimensions
- 2 All discrepancies must be reported and resolved by the Architect before works commence
- 3 This drawing is not to be scaled
- 4 All work and materials to be in accordance with current applicable Statutory Legislation and to comply with all relevant Codes of Practice and British Standards



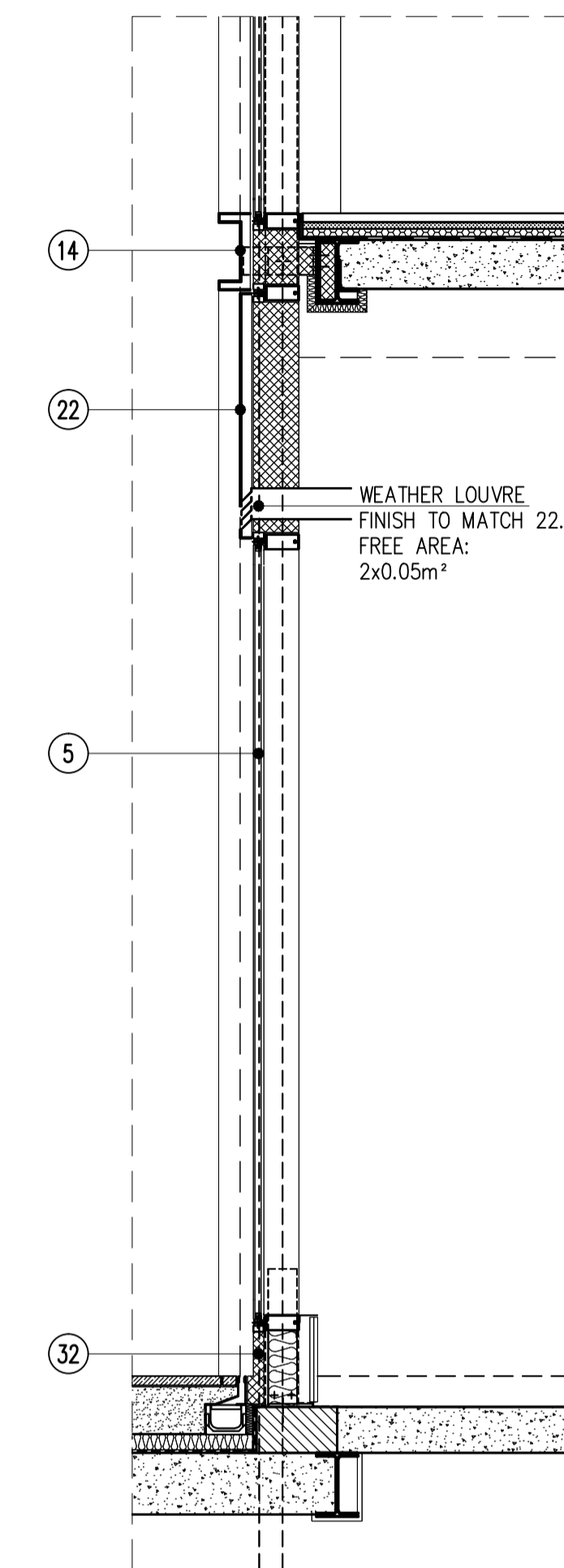
01 5-7 GOODGE STREET SHOP FRONT ELEVATION  
SCALE: 1:20 (A1)



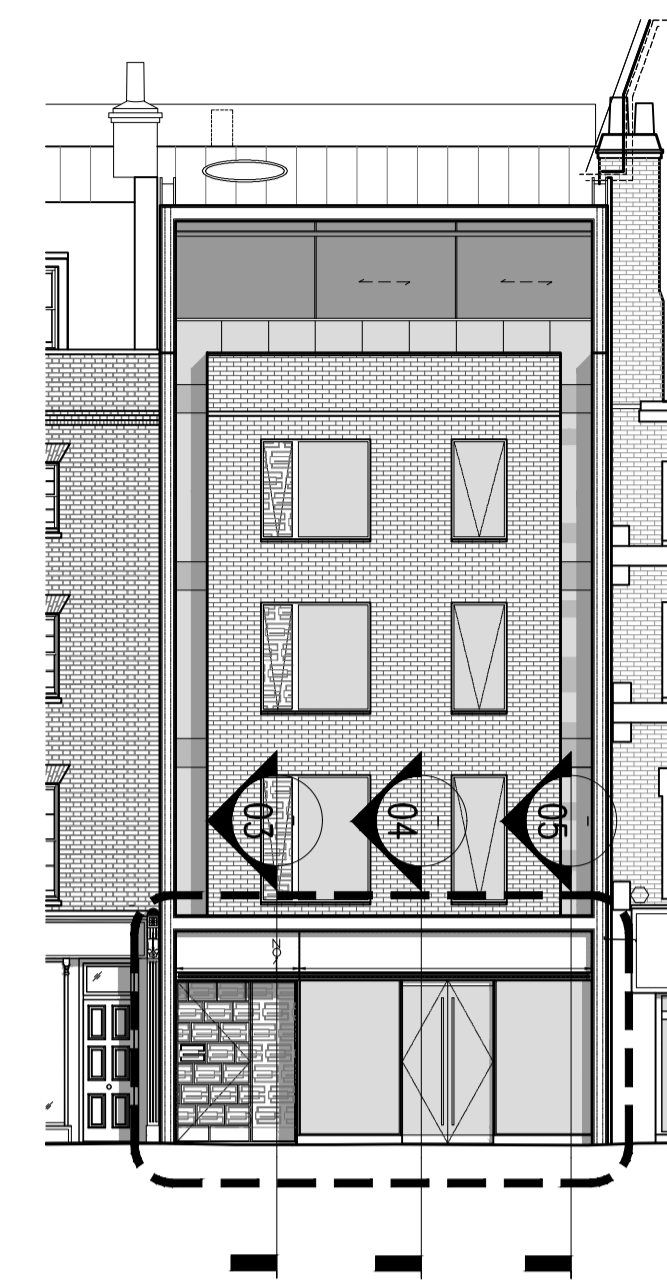
03 PART SECTION  
SCALE: 1:20 (A1)



04 PART SECTION  
SCALE: 1:20 (A1)



05 PART SECTION  
SCALE: 1:20 (A1)



FACADE MATERIAL LEGEND  
To be read in conjunction with External Finishes Schedule Rev.P1

1. Stone cladding
2. Terracotta rainscreen cladding, Type 1
3. Terracotta rainscreen cladding, Type 2
4. Terracotta protruding fixed shutter. Finish to match terracotta rainscreen.
5. Curtain walling system with feature cap
6. Shadow box spandrel panel in SSG curtain walling system.
7. Sliding / fixed aluminium doors
8. Aluminium windows
9. 1-3 Goodge Street Dormers: Timber Sash
10. Dormer: Timber french doors.
11. Aluminium brise soleil
12. Replacement windows 62 TCR: Timber Sash.
13. Lead Flashing.
14. Horizontal and vertical shadow gap: aluminium rainscreen cladding.
15. Back painted sandblasted spandrel panel
16. Etched / Fritted Glazing
17. Timber fence
18. Frameless glass balustrade
19. Anti-slip composite decking
20. Facing Brick
21. Aluminium window sill
22. Aluminium rainscreen shop front
23. Zinc standing seam roofing and walling rainscreen cladding.
24. Slate mansard roof
25. Inverted roof system
26. Decorative metal panel
27. Through coloured insulated render
28. Rooflight Type 1
29. Rooflight Type 2
30. Rooflight/sliding doors
31. Metal Balustrade
32. Aluminium Claddina Stall Riser

ISSUED FOR PLANNING 18/12/14  
Rev \_\_\_\_\_ Date \_\_\_\_\_

**Rolfe Judd**

Architecture Planning Interiors  
Old Church Court, Claylands Road, The Oval, London SW8 1NZ  
T 020 7556 1500  
www.rolfe-judd.co.uk

Client  
Goodge Street (Tottenham Court Rd)  
LLP

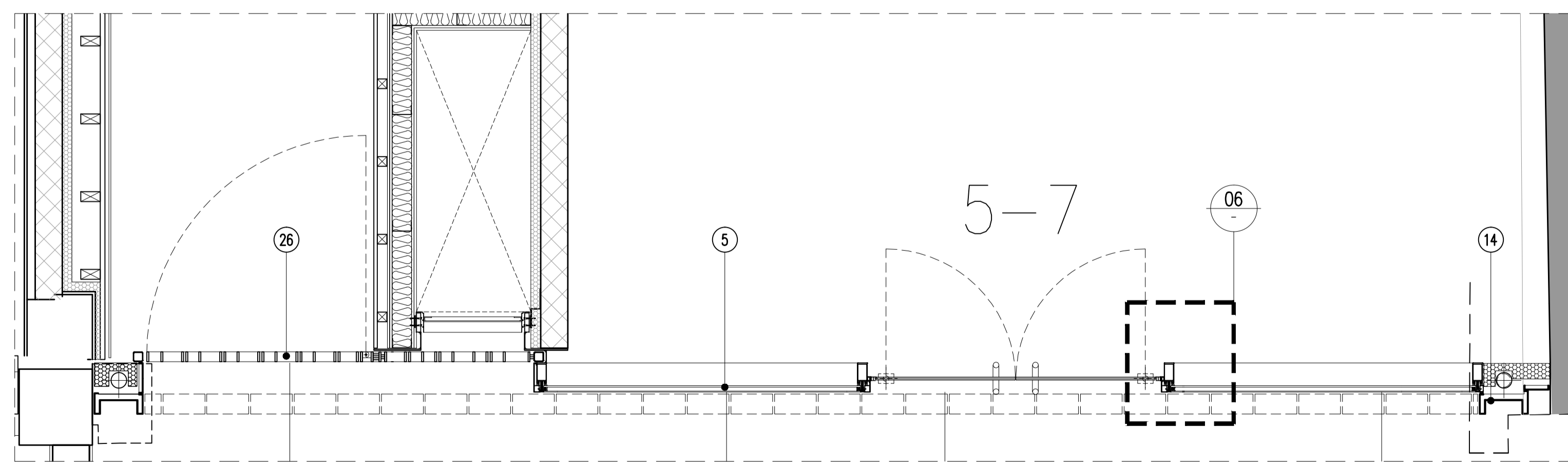
Project  
62-63 Tottenham Court Road  
1-7 Goodge Street

Drawing  
5-7 Goodge Street Shop Front  
Plan and Elevation

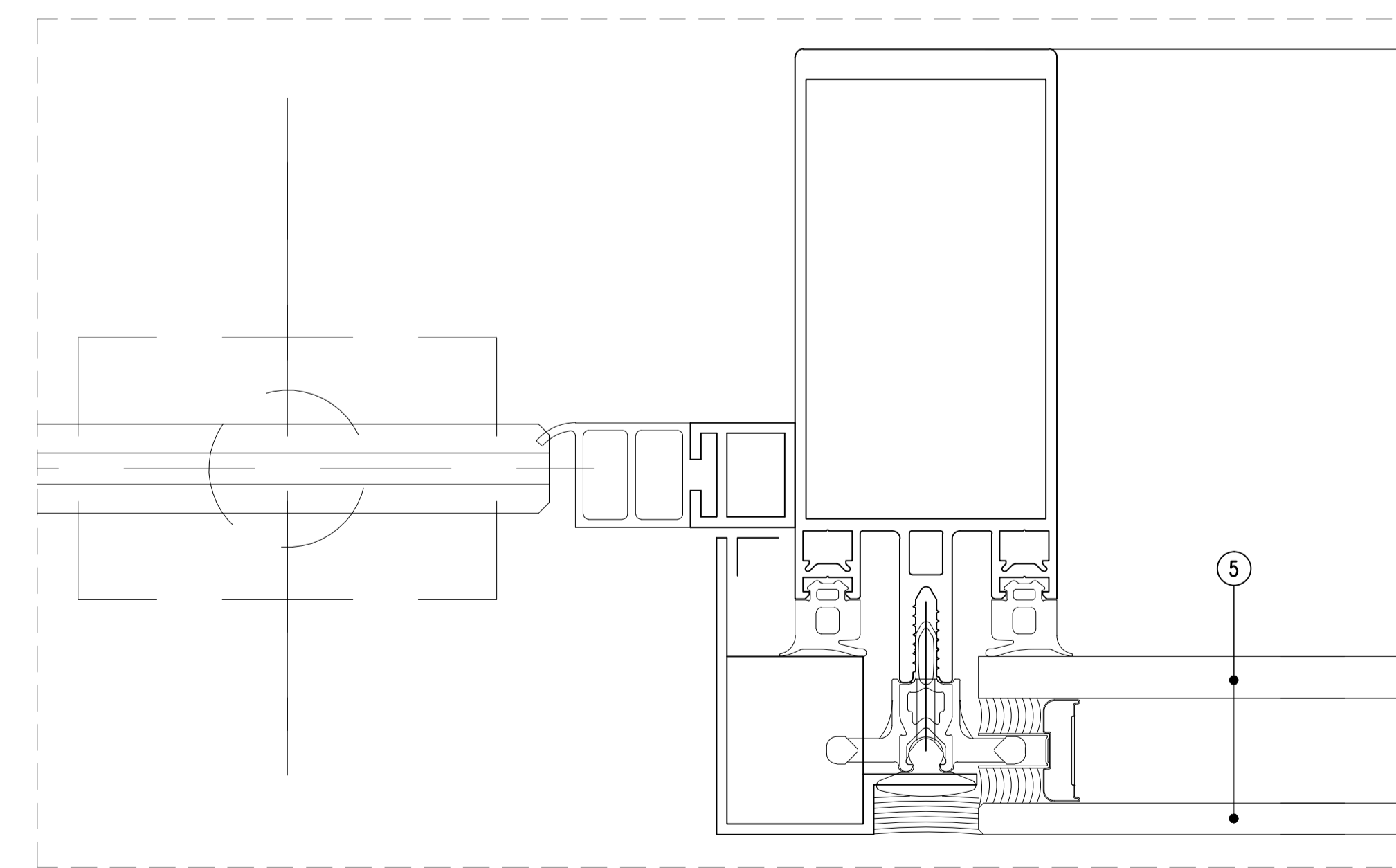
Scale Date Status  
1:20 (A1) Dec 14 Planning

Job Number Drawing Number Revision  
5315 T(20) DE16 -

G:\5315\T\_Series\T20\T20DE16



02 5-7 GOODGE STREET SHOP FRONT PLAN  
SCALE: 1:20 (A1)



06 5-7 GOODGE ST. WINDOW FRAME MULLION DETAIL  
SCALE: 1:1 (A1)

This scale is 10cm in length when printed at the size indicated in the title block

