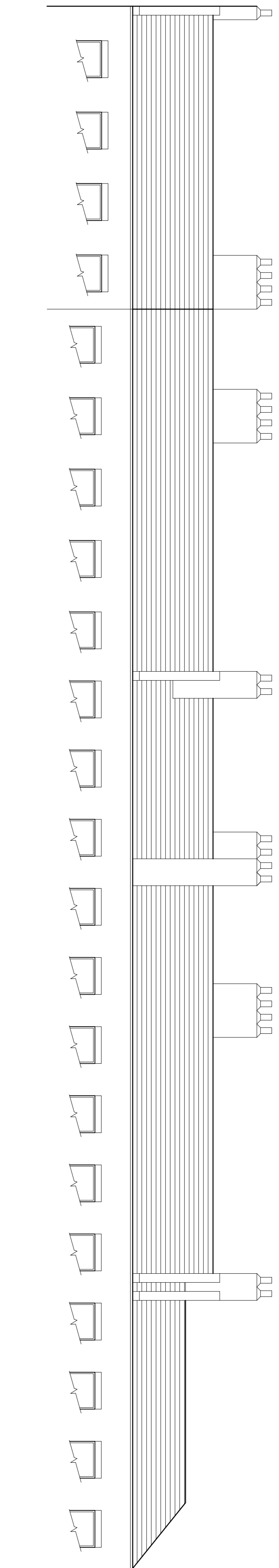
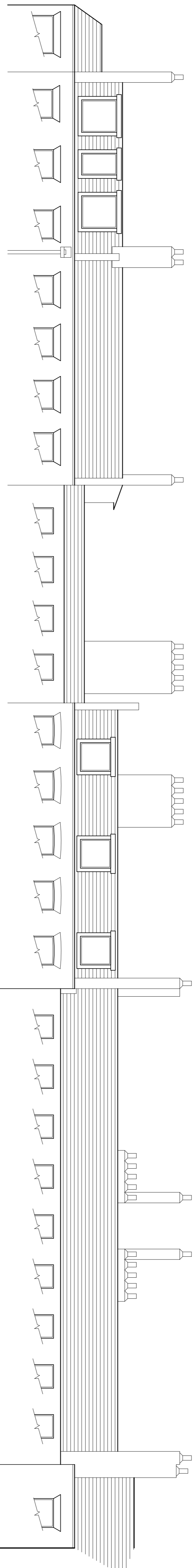


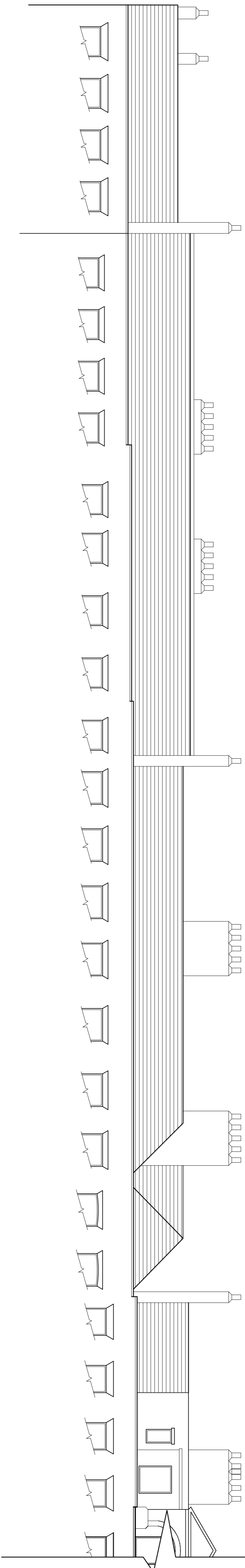
Elevation A



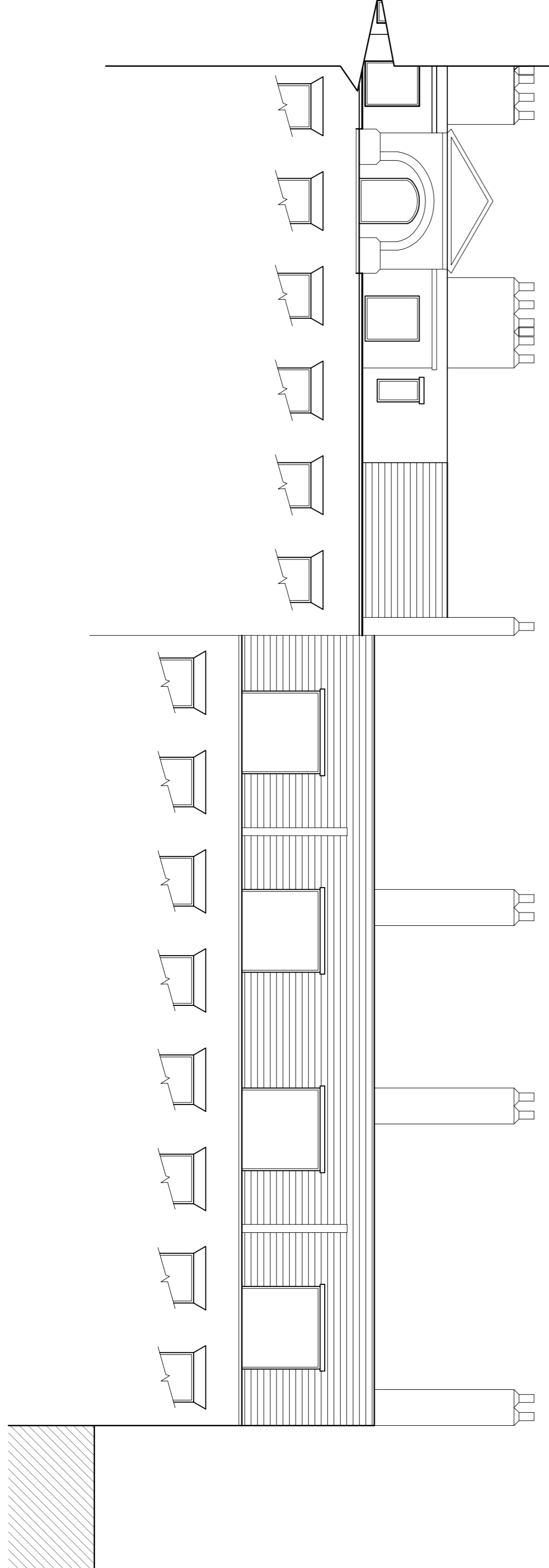
Elevation B



Elevation C Part One

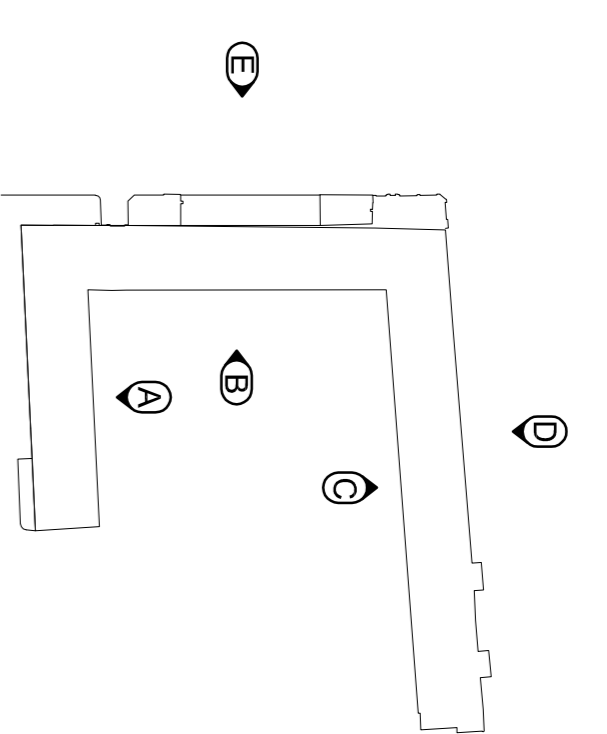


Elevation C Part Two



The contractor is responsible to ensure that no products are to be added that do not comply with the relevant British Standard or European Standard or British, Council Regulations, and/or conditions of the specification to health and safety or to the durability of the work or not to be used in the work. The contractor is responsible for the selection, health and safety. The drawing is to be used in conjunction with all relevant consultation documents available. Any order or shop drawings to be issued by Bailey Garner LLP and checked before proceeding with the work. Where an item is covered by drawings to different scales, the larger scale drawing is to be worked to.

A1



REVISION table with columns for REVISION, DATE, and a blank space for description.

BAILLY · GARNER
145-148 LITTHAM HILL
LONDON SE18 2DY
t: 020 5254 1300
e: bailey@garners.co.uk

CLIENT: The Honourable Society of Lincolns Inn

ADDRESS: Lincolns Inn London WC2A 3TL

PRODUCT: High Level Access Works

TITLE: New Square
Approximate Existing Elevations A, B and C
Prepared by BAILEY GARNER LLP
Planning

SCALE: 1:100
DATE: 05.01.18
JOB NO: 27145